

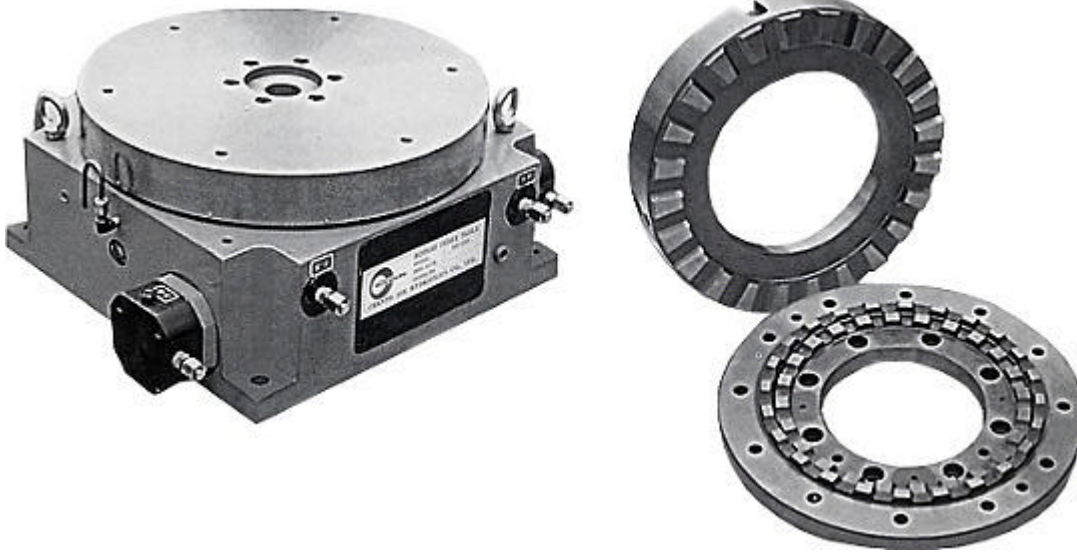
Features:

Powerful clamping device, suitable for heavy-duty cutting without any deviation from the center.

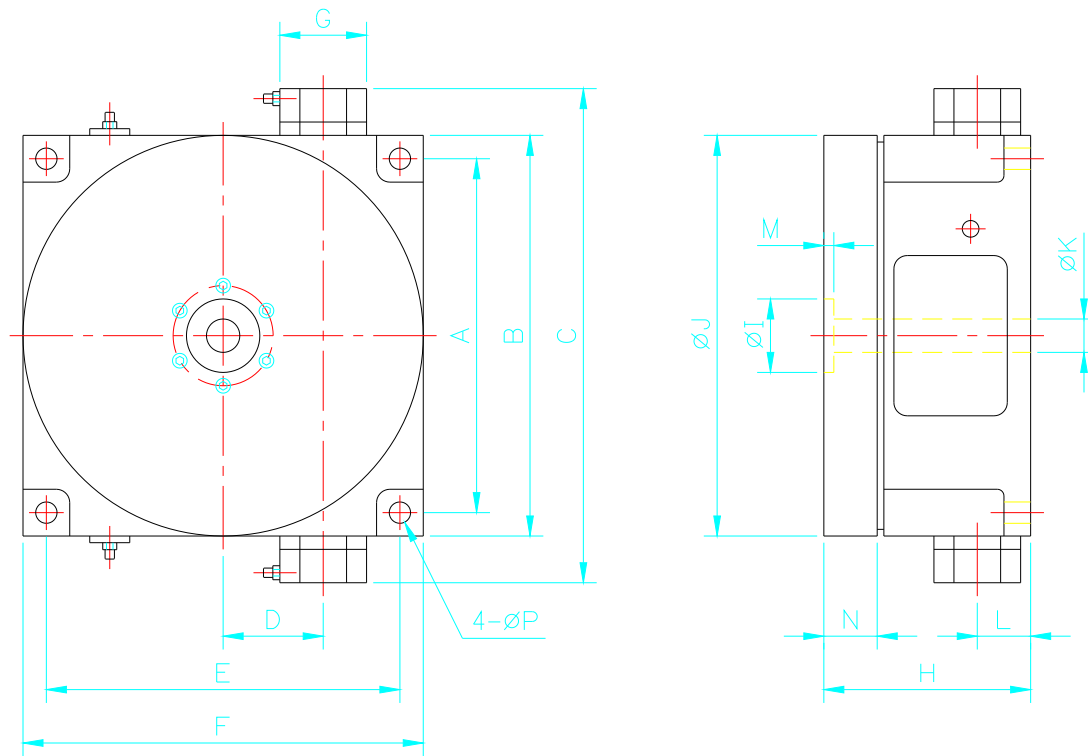
Extremely precise indexing mechanism, no accumulated inaccuracy.

Using high precision 3-piece face-tooth-coupling, for high positioning accuracy and free from lift faceplate.

Special division available on request.



External Dimensions:



Type	A	B	C			D	E	F	G	H	I	J	K	L	M	N	P
			2-division	3-division	4, 6, 8 12, 24-division												
RSH-340	310	346	686	540	466	85.5	310	346	74	195	ø60	ø340	ø30	53	10	49	ø16
RSH-470	420	470	930	710	600	121	420	470	100	240	ø90	ø470	ø41	67	12	60	ø20
RSH-600	550	600	1127	856	720	148	550	600	110	260	ø110	ø600	ø55	80	11	62	ø22
RSH-800	750	820	1730	1330	1130	213	750	810	ø116	390	ø150	ø800	ø60	105.5	20	100	ø26

Specifications:

	RSH-340	RSH-470	RSH-600	RSH-800
Faceplate Dia. (mm)	ø340	ø470	ø600	ø800
Height (mm)	195	240	260	390
Hollow spindle bore dia. (mm)	ø30	ø41	ø55	ø60
No. of division	2, 3, 4, 6, 8, 12, 24			
Rotation direction	CW(standard), CCW(option)			
Fixed position	3-piece, face-tooth-coupling			
Indexing accuracy	±5"			
Max. operating pressure (kgf/cm ²)	25	30	35	35
Max. operating pressure (kgf/cm ²)	1300	4000	7600	13100
Allowable loading capacity (kg)	400	600	1200	2200
Allowable moment of inertia (kg,m ²)	50	145	600	900
Torque (kg,m)	42	90	200	240
Weight (kg)	98	250	550	1200

✕ We reserve the right to revise the external dimensions.