

# PART P-01 ~ P-22

**Ribg Wide**

Shielded     non-Shielded

Switching Distance Sn mm

Housing Material

With LED     Without LED

Dimensions (unit: mm)

Operating Voltage & Ripple

Min. Time Between Targets

No Load Current

Max. Load Current

Leakge Current

Surge Current

Min. Load Current

Voltage Drop

Switching Frequency

Pulse Duration

Switching Hysteresis

Repeat Accuracy

Protection Category

Operating Temperature

Temperature Drift

Min. Target

Reverse Polarity Protection

Short Circuit Protection

Overload Trip Point

EMC

Shock / Vibration

DC 3 wire 10-30V NPN N.O.

DC 3 wire 10-30V NPN N.C.

DC 3 wire 10-30V PNP N.O.

DC 3 wire 10-30V PNP N.C.

DC 4 wire 10-30V Changeover PNP (N.O. & N.C.)

DC 4 wire 10-30V Changeover NPN (N.O. & N.C.)

DC 2 wire 10-60V N.O.

DC 2 wire 10-60V N.C.

DC 3 wire 10-55v NPN N.O.

DC 3 wire 10-55v NPN N.C.

DC 3 wire 10-55v PNP N.O.

DC 3 wire 10-55v PNP N.C.

AC 2 wire 20-250V N.O.

AC 2 wire 20-250V N.C.

AC/DC 2 wire 20-250V N.O.

AC/DC 2 wire 20-250V N.C.

**NAMUR**

Remark

Cable 2M (PVC)

Weight

Please put each catalog page in the blank. The specification on the left will help your reading.

# RING TYPE INDUCTIVE PROXIMITY SENSORS

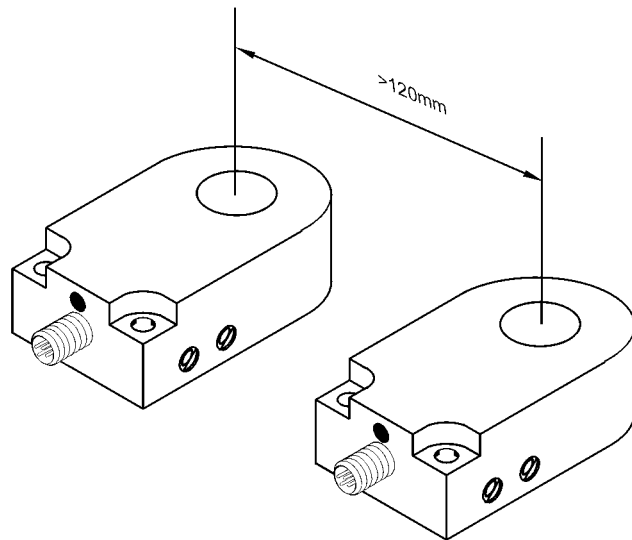
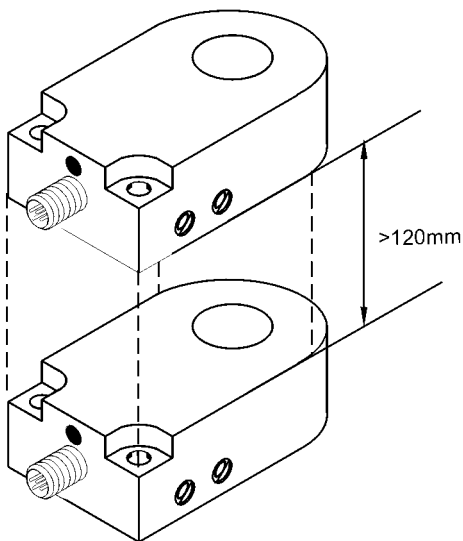
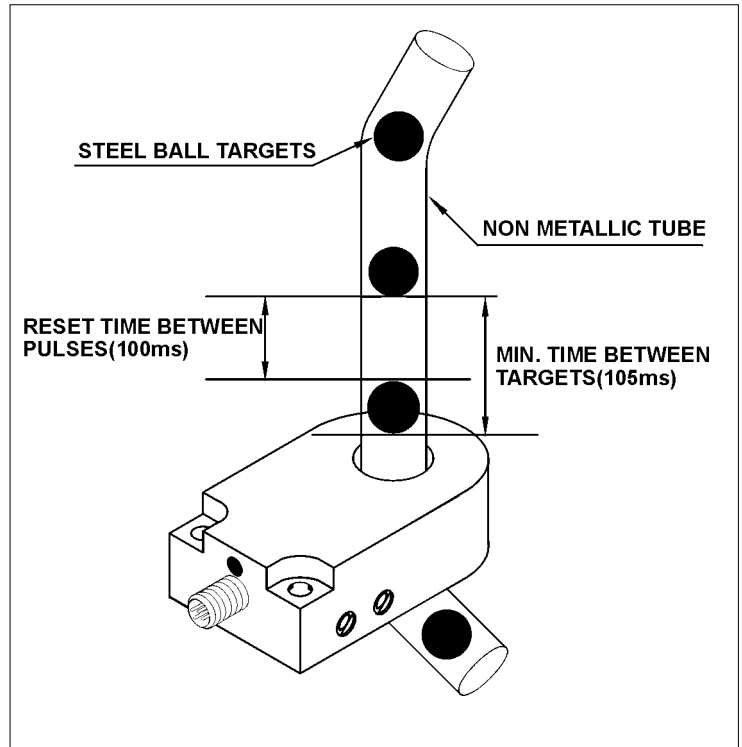
## ■ Principle of operation

Since the electromagnetic field of this type sensors is concentrated within the inside diameter of the ring, the sensor is activated when a moving metallic object through the ring. Suitable applications are flow rate and ejection measurement.

## ■ Applications for one-shot type

This picture is the typical application of the ring sensor with one-shot. This type sensor can output a 100ms fixed pulse-width independent of the time the target is present.

## ■ Mounting considerations









DC RING TYPE INDUCTIVE PROXIMITY SENSORS

43mm
○
-
PBT
○
6~12VDC (Ripple≤10%)
-
≥2.2mA(off);≤0.1mA(on)
-
-
-
-
500HZ
-
≤2% of Rated Operating Distance
IP67
-25°C to 70°C
-
D=9mm;L=18mm
-
-
-
RFI>3V/m / EFT>1KV / ESD>4KV (contact)
IEC 60947-5-2,Part 7.4.1 / IEC 60947-5-2,Part 7.4.2
RRP2-R4320NU
21
5.8φ 2X0.5
approx.216g

43mm
○
-
PBT
●
10~60VDC (Ripple≤10%)
-
≤1.8mA
100mA
≤1.2mA
-
3mA
<6V at 100mA
500HZ
-
15%
≤2% of Rated Operating Distance
IP67
-25°C to 70°C
±10%(sr)
D=9mm;L=18mm
Yes
Yes
120~150mA
RFI>3V/m / EFT>1KV / ESD>4KV (contact)
IEC 60947-5-2,Part 7.4.1 / IEC 60947-5-2,Part 7.4.2
RRP2-R4320C-A2U2
7
RRP2-R4320C-B2U2
8
5.8φ 2X0.5
approx.216g

43mm
○
-
PBT
●
10~30VDC (Ripple≤10%)
-
≤15mA
≤200mA
≤10uA
-
-
≤1.5V at 200mA
500HZ
-
15%
≤2% of Rated Operating Distance
IP67
-25°C to 70°C
±10%(sr)
D=9mm;L=18mm
Yes
Yes
220~280mA
RFI>3V/m / EFT>1KV / ESD>4KV (contact)
IEC 60947-5-2,Part 7.4.1 / IEC 60947-5-2,Part 7.4.2
RRP2-R4320N-A3U2
1
RRP2-R4320N-B3U2
2
RRP2-R4320P-A3U2
3
RRP2-R4320P-B3U2
4
RRP2-R4320P-S4U2
6
RRP2-R4320N-S4U2
5
5.8φ
approx.216g





































