

- Zero Voltage and Random Turn-On Switching
- Triac Output
- Industry Standard Package
- Panel Mount

Four independent AC output relays come in a single standard panel-mount package. Utilizing an AC switch output with internal snubber, relays provide greater protection against false triggering. Model choices include zero-voltage or random turn-on (phase controllable) switching.

Manufactured in Crydom's ISO 9001 Certified facility for optimum product performance and reliability.

MODEL NUMBER	TD2420Q	TD2420QE
OUTPUT SPECIFICATIONS ①		
Operating Voltage (47-63 Hz) [Vrms]	24-280	24-280
Load Current Range ③ [Arms]	.15-20	.15-20
Transient Overvoltage [Vpk]	600	600
Max. Surge Current, (16.6ms) [Apk]	250	250
Max. On-State Voltage Drop @ Rated Current [Vpk]	1.6	1.6
Thermal Resistance Junction to Case ($R_{\theta JC}$) [°C/W]	1.2	1.2
Maximum I^2t for Fusing, (8.3 msec.) [A ² sec]	260	260
Max. Off-State Leakage Current @ Rated Voltage [mArms]	10	10
Min. Off-State dv/dt @ Max. Rated Voltage [V/μsec] ②	200	200
Max. Turn-On Time ④	1/2 cycle	1/2 cycle
Max. Turn-Off Time	1/2 cycle	1/2 cycle
Power Factor (Min.) with Max. Load	0.5	0.5

INPUT SPECIFICATIONS ①		
Control Voltage Range	4-15 Vdc	15-28 Vdc
Max. Turn-On Voltage	4.0 Vdc	15 Vdc
Min. Turn-Off Voltage	1.0 Vdc	1.0 Vdc
Nominal Input Impedance	330 Ohms	1500 Ohms
Typical Input Current	12 mA @ 5Vdc	15 mA @ 24Vdc

GENERAL NOTES

- ① All parameters at 25°C and per section unless otherwise specified.
- ② Off-State dv/dt test method per EIA/NARM standard RS-443, paragraph 13.11.1
- ③ Heat sinking required, max. 20A per section, max. 60A per package.
- ④ Turn-on time for random turn-on versions is 0.1 msec.

© 2007 CRYDOM Inc., Specifications subject to change without notice.

GENERAL SPECIFICATIONS

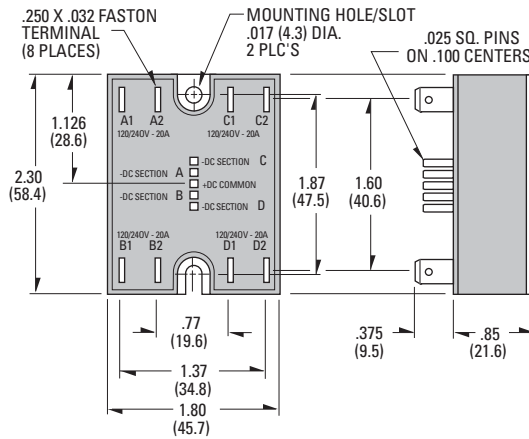
Dielectric Strength 50/60Hz Input/Output/Base	2500 Vrms
Insulation Resistance (Min.) @ 500 Vdc	10 ⁹ Ohm
Max. Capacitance Input/Output	10 pF
Ambient Operating Temperature Range	-40 to 80°C
Ambient Storage Temperature Range	-40 to 125°C

MECHANICAL SPECIFICATIONS

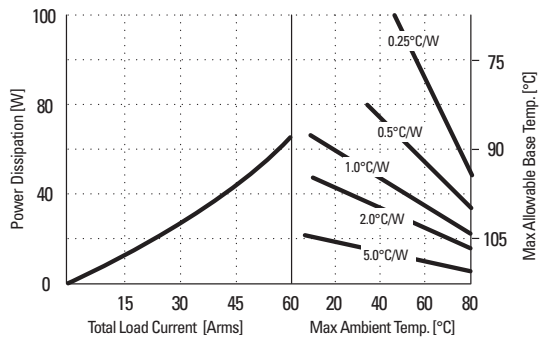
Weight: (typical)	3.5 oz. (109g)
Encapsulation:	Thermally Conductive Epoxy
Terminals:	.250 Faston, .025 Square Pins

AVAILABLE OPTIONS

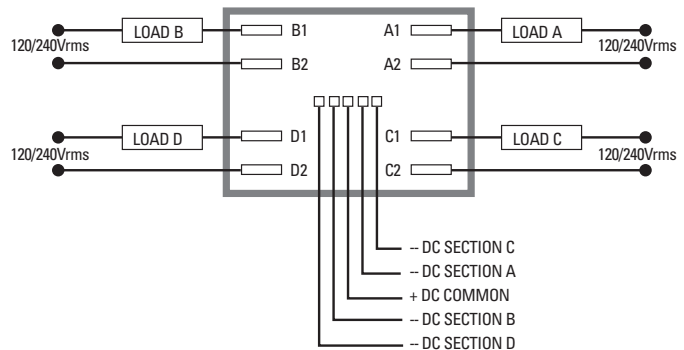
- 10** Random Turn-On, Phase Controllable
Example: **TD2420Q-10**
- H** Heat Transfer Pad (Attached)
Example: **TD2420QH**
- E** 15-28Vdc Control
Example: **TD2420QE**



CURRENT DERATING CURVES



WIRING DIAGRAM



Crydom Heat Sinks offer excellent thermal management and are perfectly matched to the load current ratings of Crydom panel mount relays. Request Crydom's Heat Sink specification sheet for all the details.

APPROVALS

UL E116949
CSA LR81689



ANNEX – ENVIRONMENTAL INFORMATION:

The environmental information disclosed in this annex including the EIP Pollution logo are in compliance with People's Republic of China Electronic Industry Standard SJ/T11364 – 2006, Marking for Control of Pollution Caused by Electronic Information Products.

Part Name	Toxic or hazardous Substance and Elements					
	Lead (Pb)	Mercury (Hg)	Cadmium (Cd)	Hexavalent Chromium (Cr (VI))	Polybrominated biphenyls (PBB)	Polybrominated diphenyl ethers (PBDE)
Semiconductor die	X	O	O	O	O	O
Solder	X	O	O	O	O	O

附件 - 环保信息:

此附件所标示的包括电子信息产品污染图标的环保信息符合中华人民共和国电子行业标准 **SJ/T11364 - 2006**, 电子信息产品污染控制标识要求

部件名称	有毒有害物质或元素					
	铅 (Pb)	汞 (Hg)	镉 (Cd)	六价铬 (Cr (VI))	多溴联苯 (PBB)	多溴二苯醚 (PBDE)
半导体芯片	X	O	O	O	O	O
焊接点	X	O	O	O	O	O

