

Specifications:

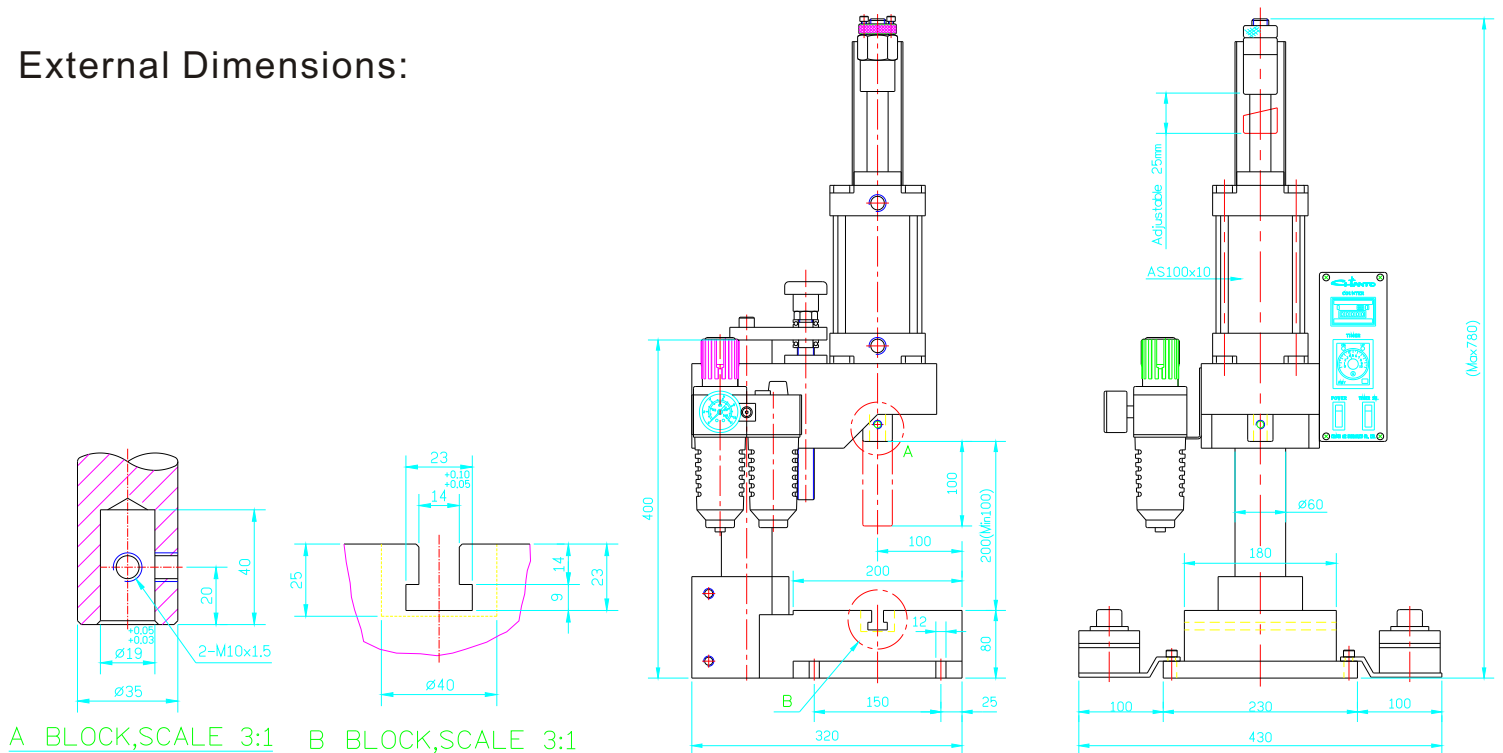
MODEL	PN-500
Arm travel (Adj)	160(mm)
Maximum working height	200(mm)
Cylinder bore x stroke	ø100x100(mm)
Adjustable cylinder stroke	Standard 25(mm)/50(mm) option
Table area	180x200(mm)
Power	AC110/220V, 50/60Hz
Operating pressure	0.4~0.7Mpa(4~7 kg/cm ²)



Air pressure			Theoretical Output		
Mpa	kg/cm ²	psi	N	kg	lb
0.4	4	57	2883	294	649
0.5	5	71	3609	368	811
0.6	6	85	4335	442	974
0.7	7	100	5051	515	1136

● Output force exerted approx. 80% of theoretical output.

External Dimensions:



- The height of mould & workpiece should be taken into account.
- Custom specifications are available.