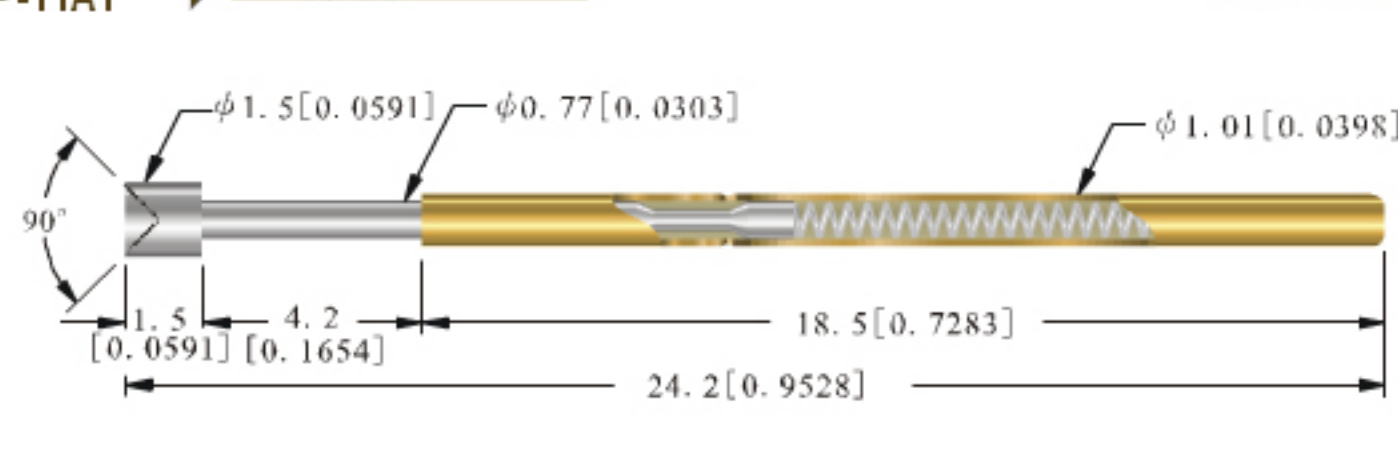
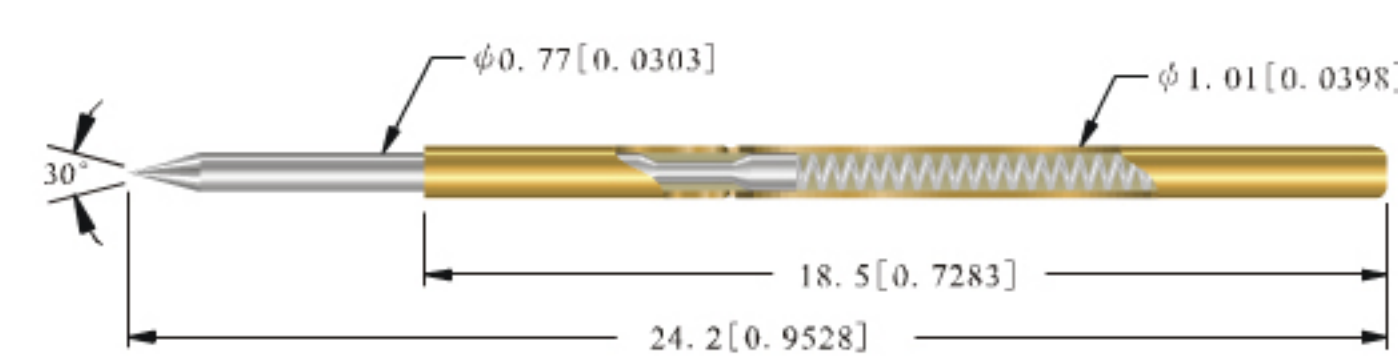


P-11A1

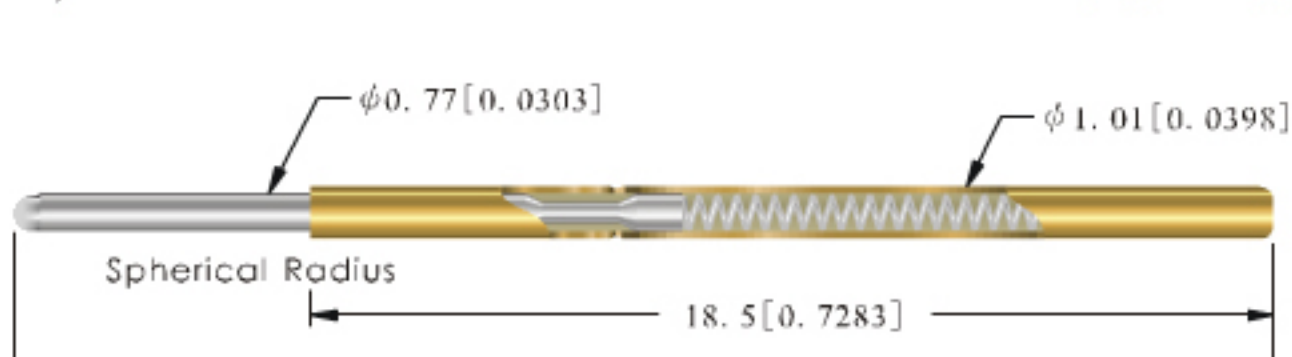


P-11B



P-11D

單位: mm(公厘)



P-11E1



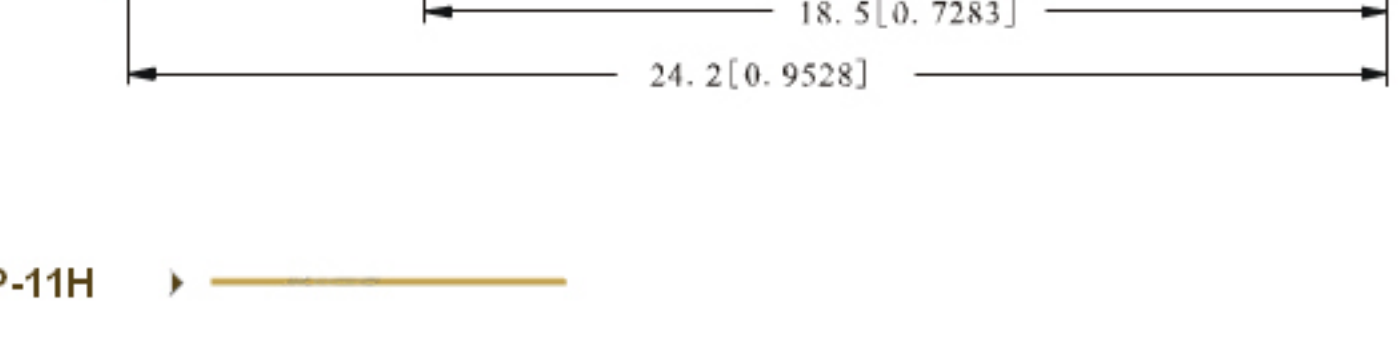
P-11E2



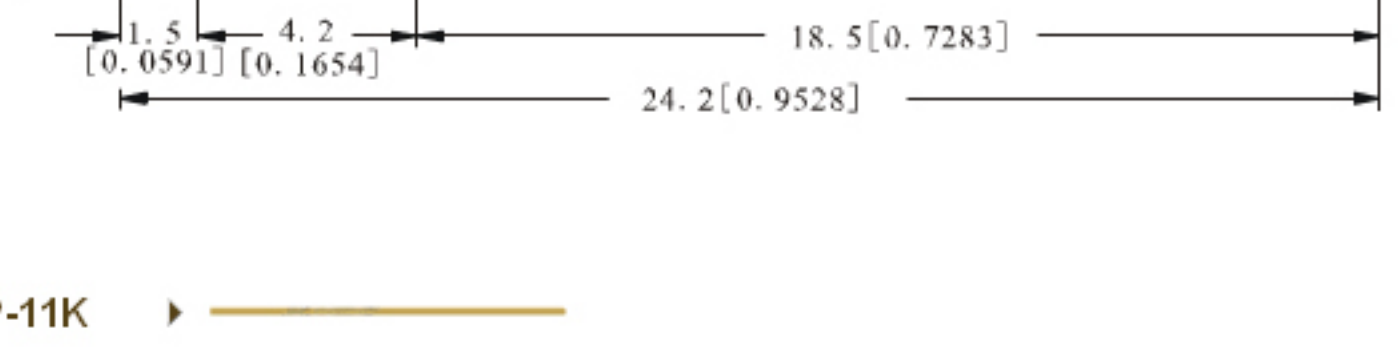
P-11F2



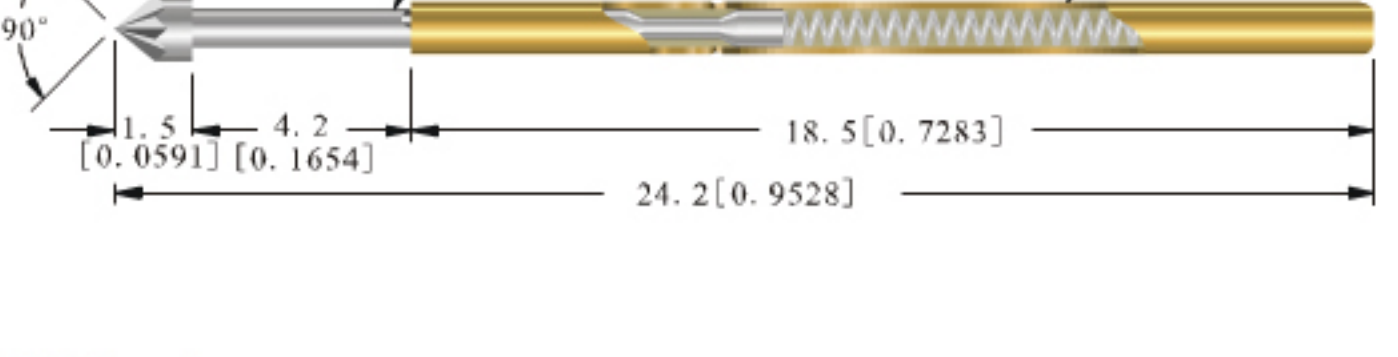
P-11H



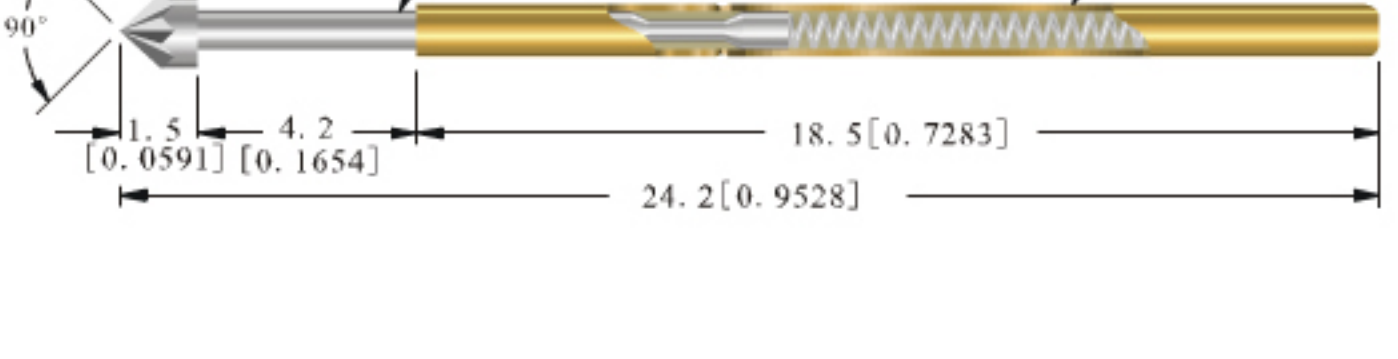
P-11K



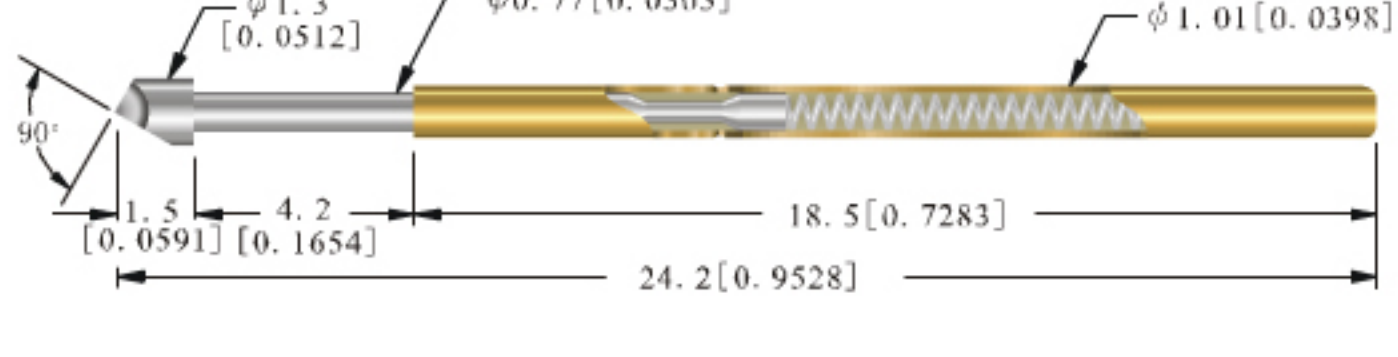
P-11K1



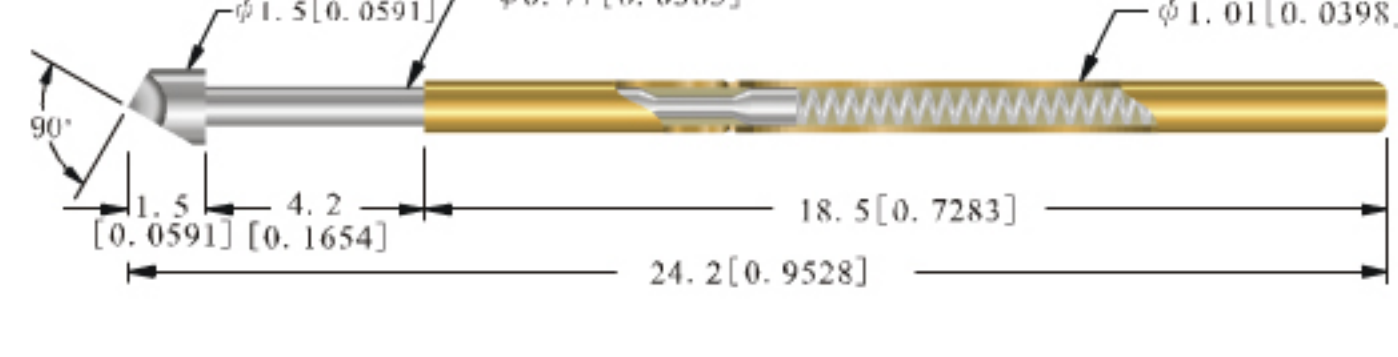
P-11T



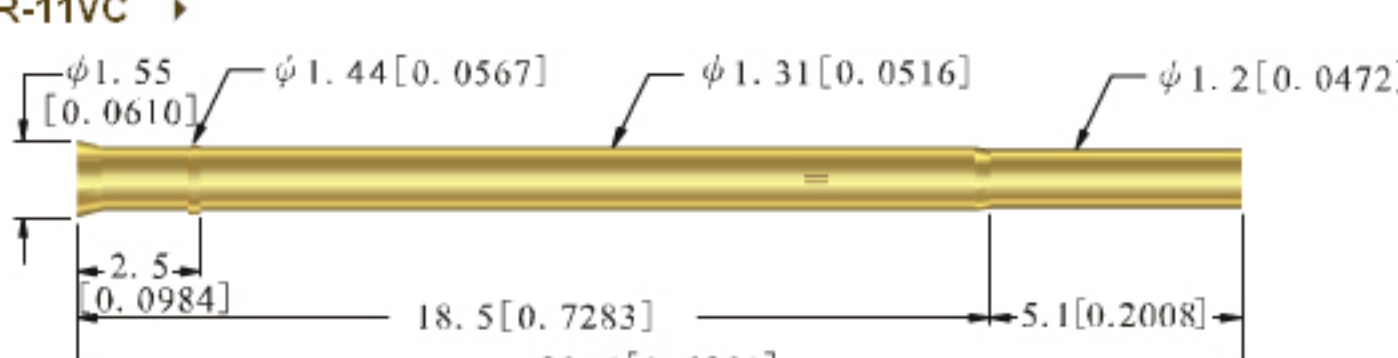
P-11T1



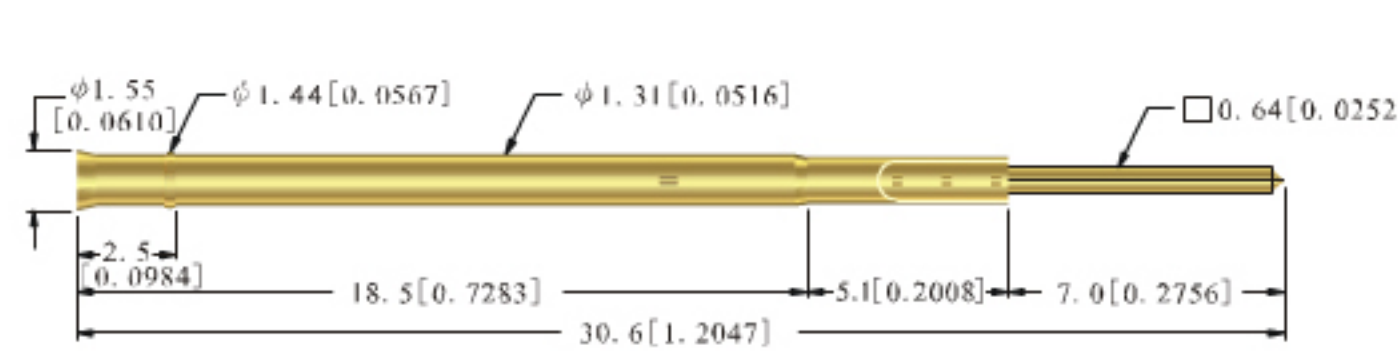
R-11VC



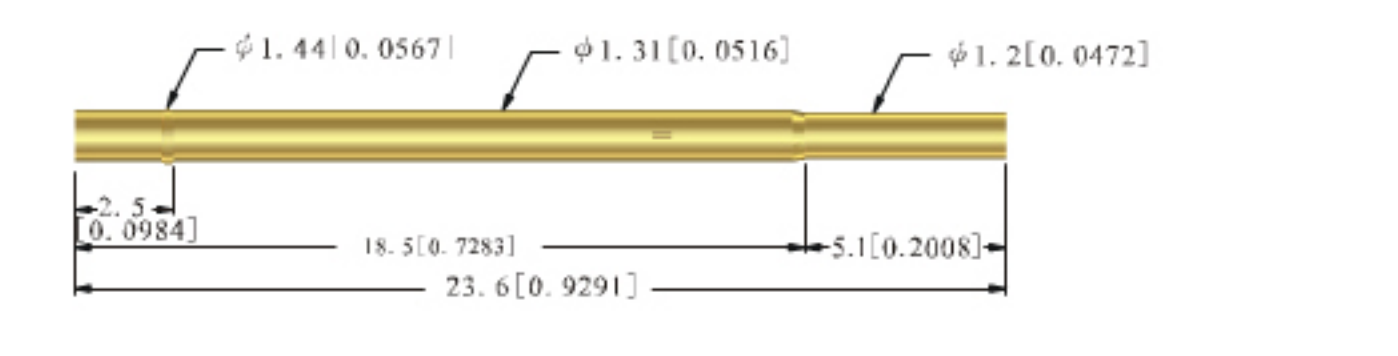
R-11V-2



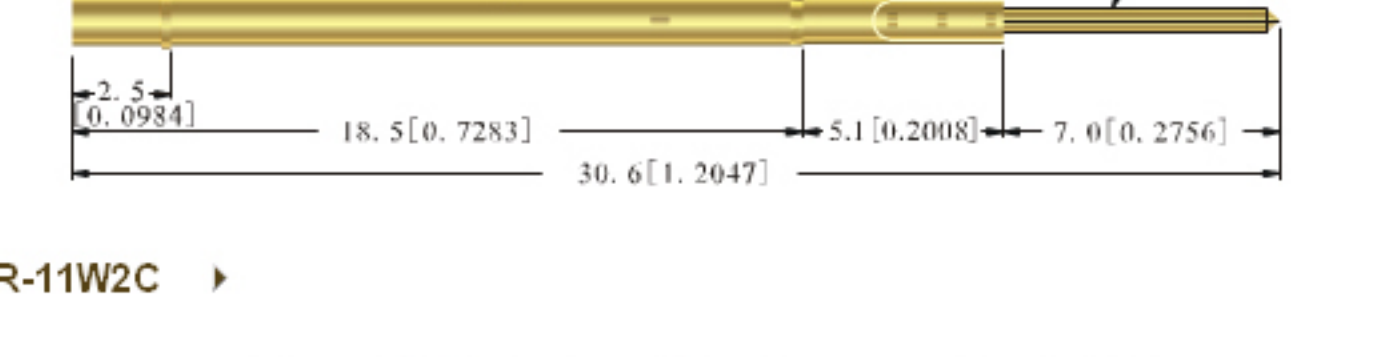
R-11W1C



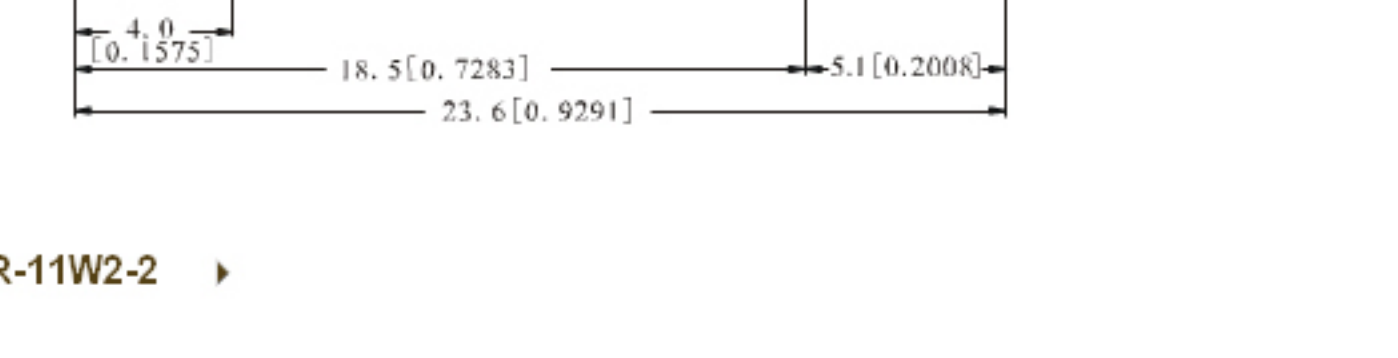
R-11W1-2



R-11W2C



R-11W2-2



Plunger: Beryllium Copper or High Carbon Steel with Gold Plated

Spring: Stainless Steel

Receptacle with Terminal Wire

Barrel: Phosphor Bronze with Gold Plated

Receptacle: Phosphor Bronze with Gold Plated

| | | | |
|---|----------------------|-------------------------------|--|
| Min.Center: | 1.90 mm[0.0749 inch] | Current Rating: | 3 A |
| Full Stroke: | 4.20 mm[0.1654 inch] | Contact Resistance: | 30 mΩ |
| Full Stroke Spring Force (±20%): | 150 g[5.29oz] | Recommended Hole Size: | 1.35 mm-1.40 mm [0.0531 inch]-[0.0551 inch] |
| 2/3 Stroke Spring Force (±20%): | 80 g[2.82oz] | | |