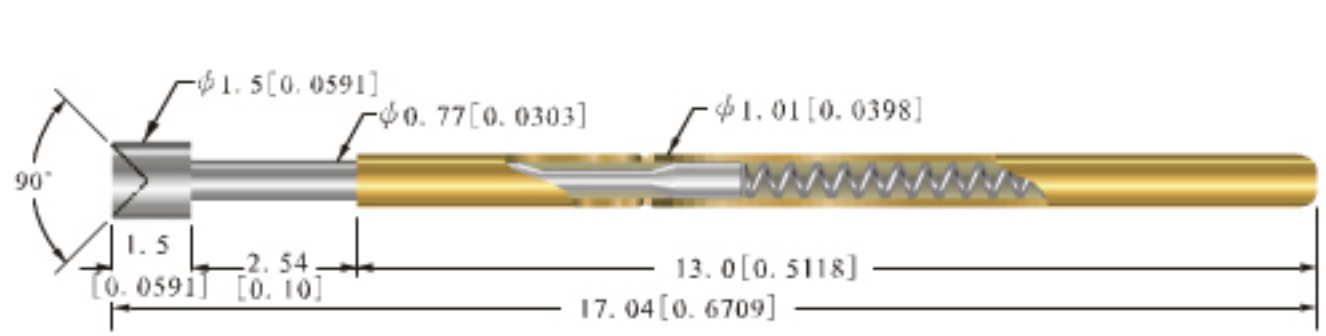
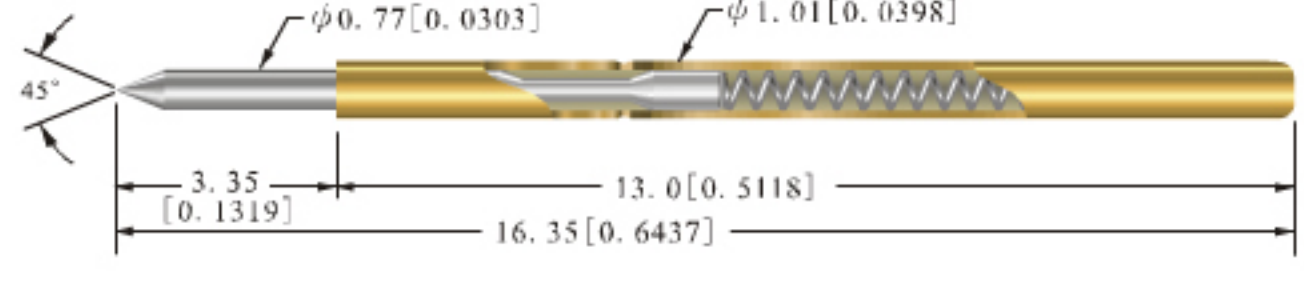


P-1A1 ▶

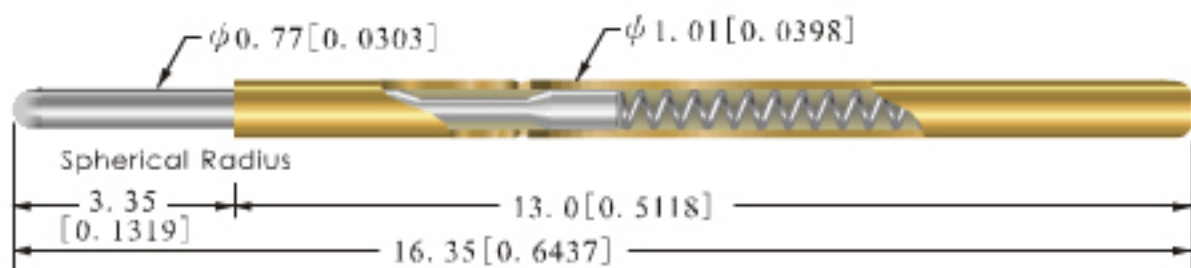
Unit: mm



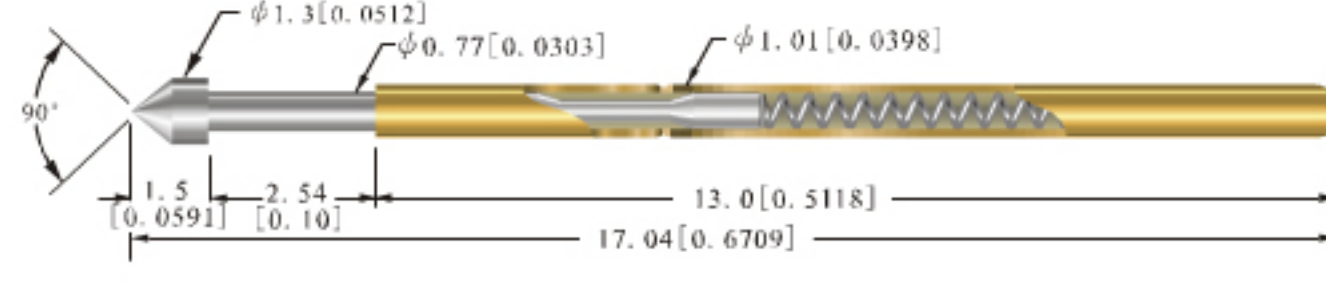
P-1B[SK4] ▶



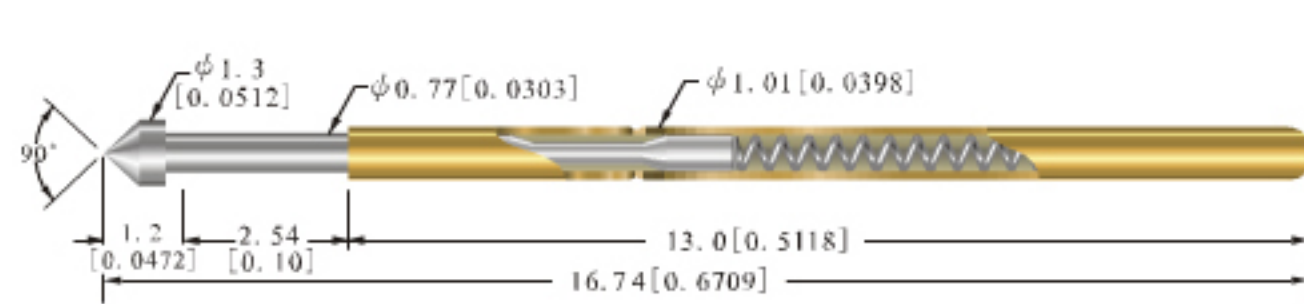
P-1D ▶



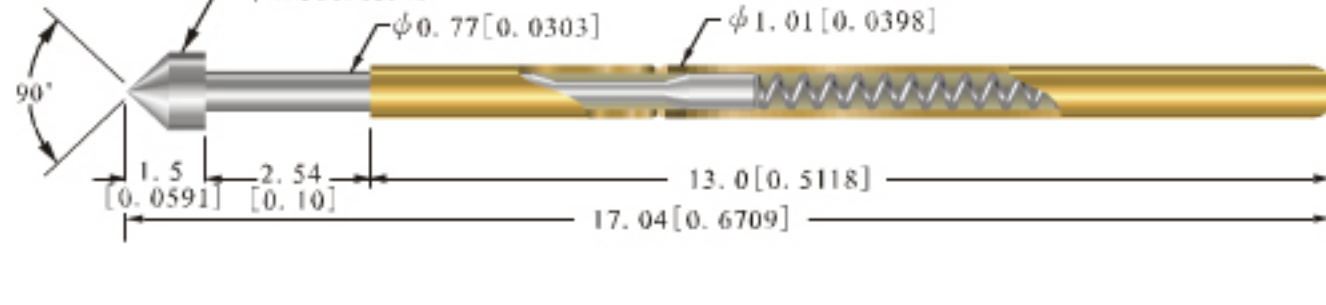
P-1E1 ▶



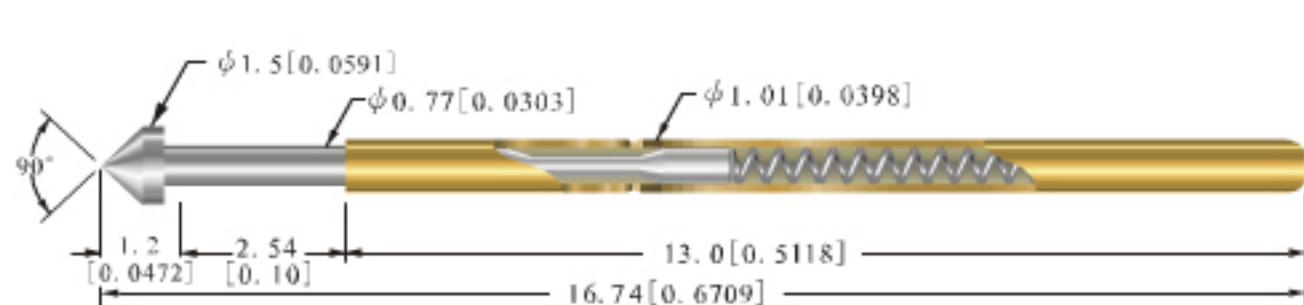
P-1E1[S] ▶



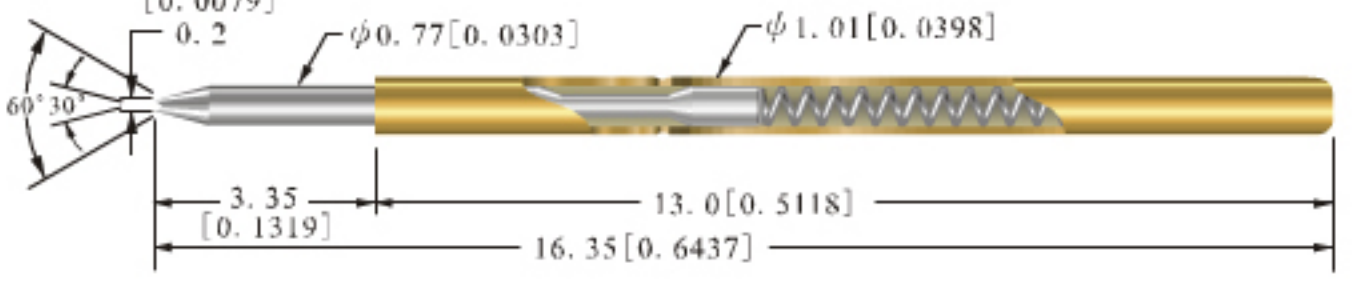
P-1E2 ▶



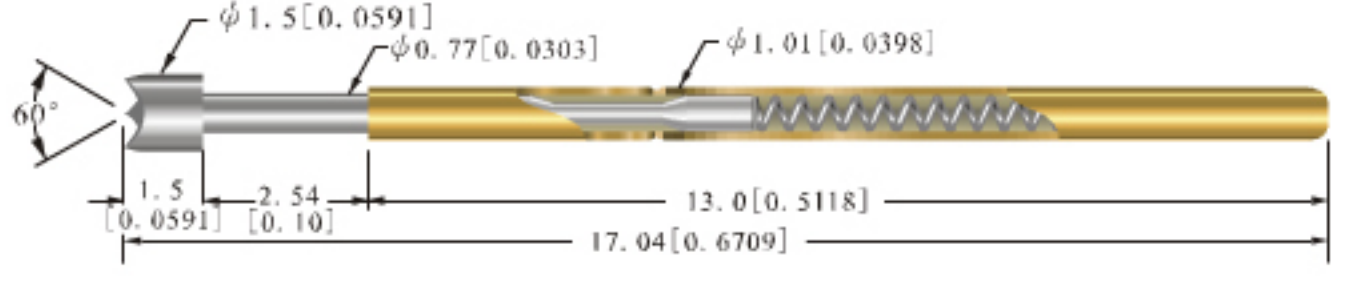
P-1E2[S] ▶



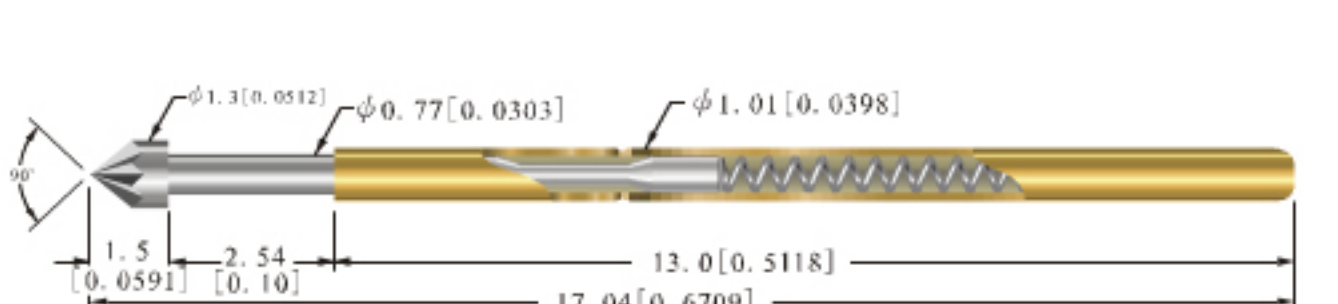
P-1F[SK4] ▶



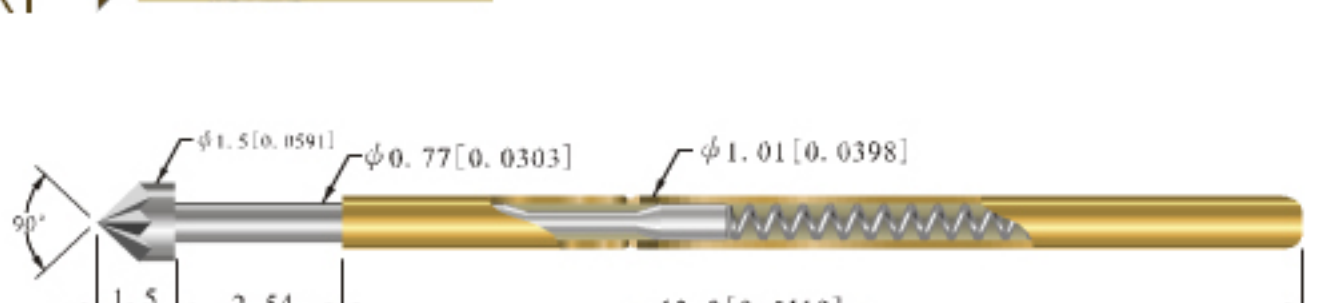
P-1H ▶



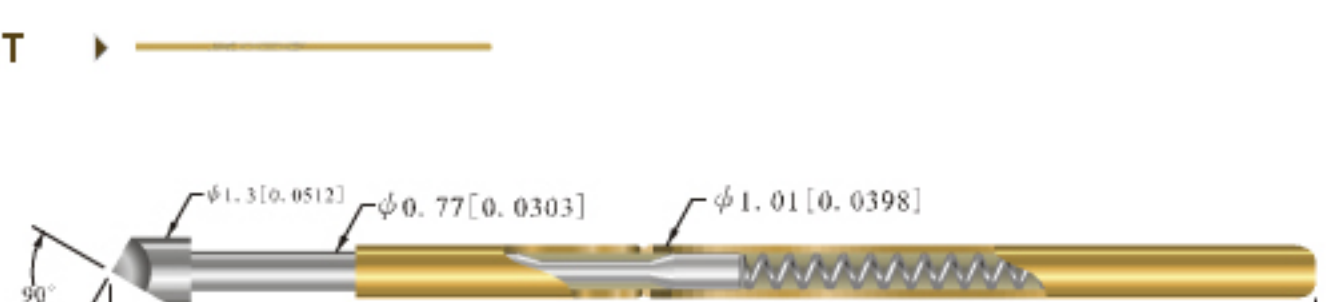
P-1K ▶



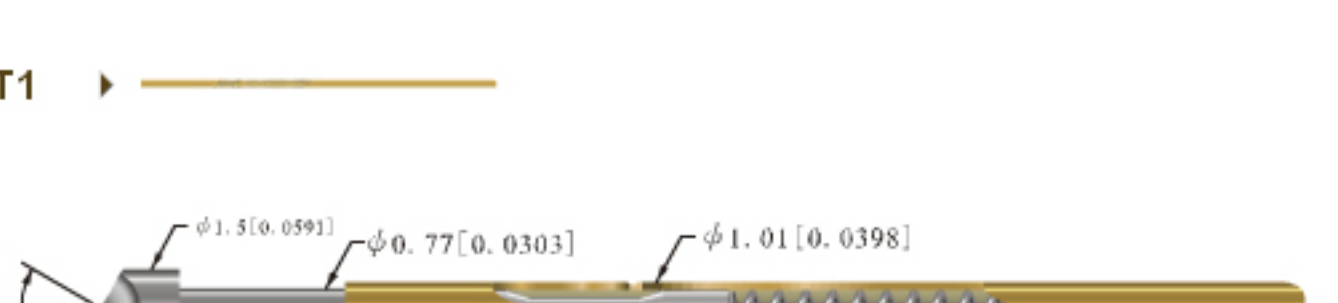
P-1K1 ▶



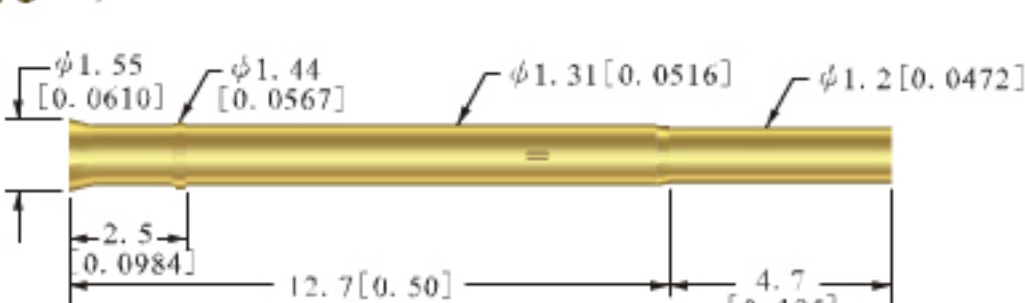
P-1T ▶



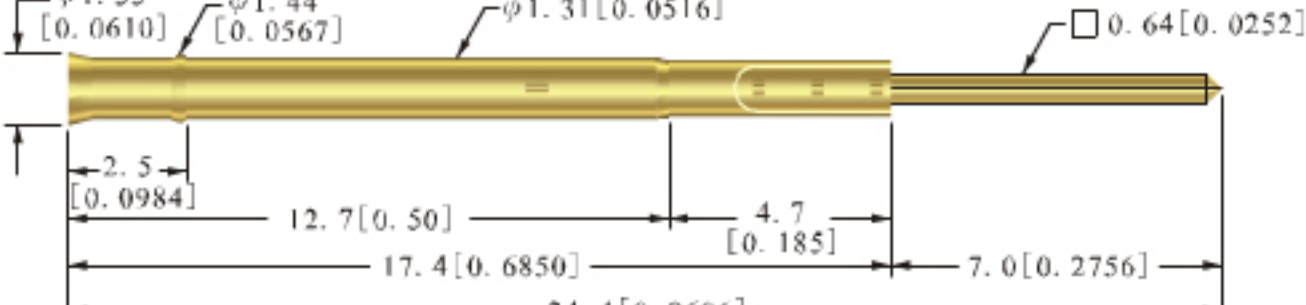
P-1T1 ▶



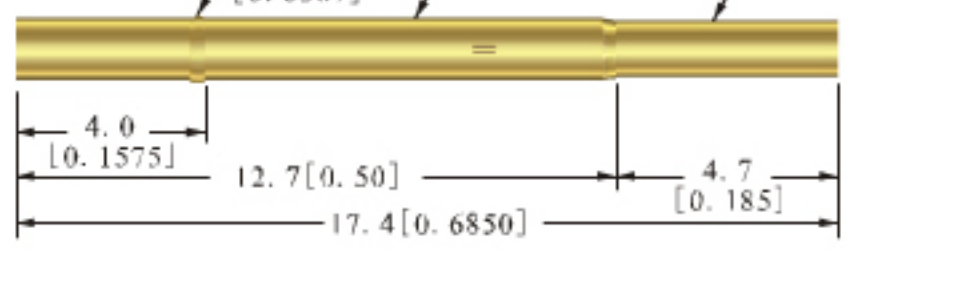
R-1VC ▶



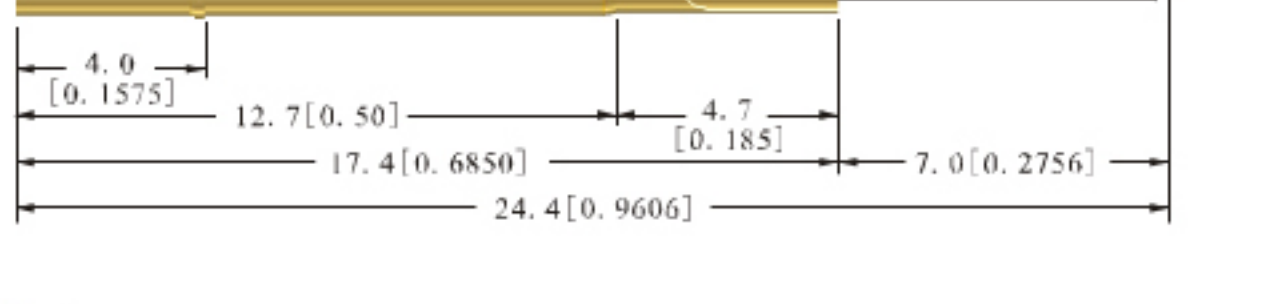
R-1V-2 ▶



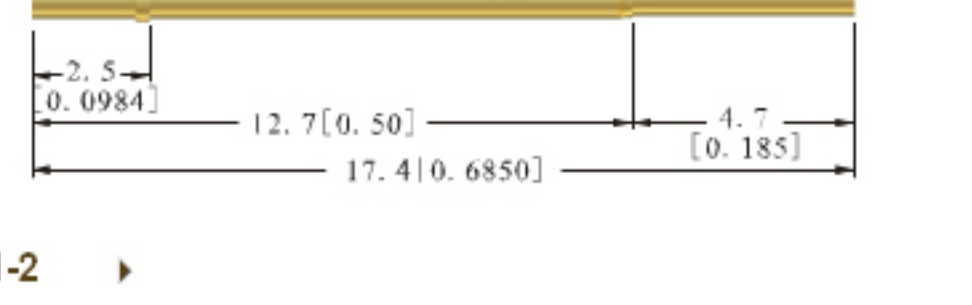
R-1W2C ▶



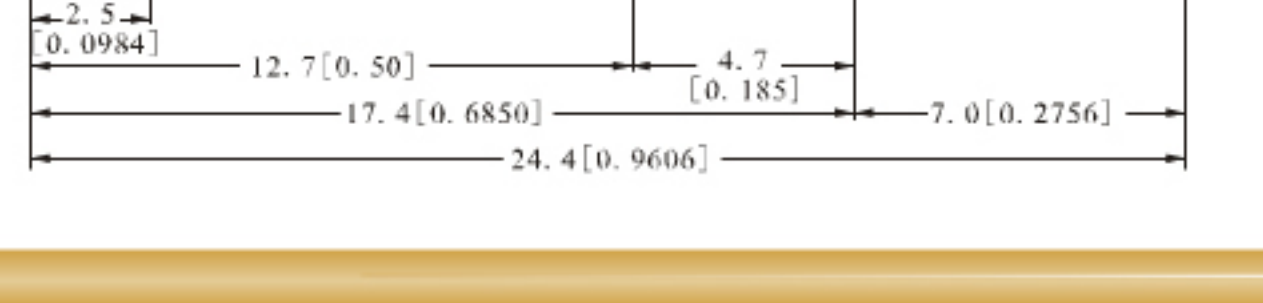
R-1W2-2 ▶



R-1W1C ▶



R-1W1-2 ▶



**Plunger:** Beryllium Copper or High Carbon Steel with Gold Plated

**Spring:** Stainless Steel

Receptacle with Terminal Wire

**Barrel:** Phosphor Bronze with Gold Plated

**Receptacle:** Phosphor Bronze with Gold Plated

<b>Min. Center:</b>	1.90 mm [0.0748 inch]	<b>Current Rating:</b>	3 A
<b>Full Stroke:</b>	3.35 mm [0.1319 inch]	<b>Contact Resistance:</b>	30 mΩ
<b>Full Stroke Spring Force (±20%):</b>	128 g [4.51oz]	<b>Recommended Hole Size:</b>	1.35 mm-1.40 mm [0.0531 inch]-[0.0551 inch]
<b>2/3 Stroke Spring Force (±20%):</b>	90 g [3.17oz]		