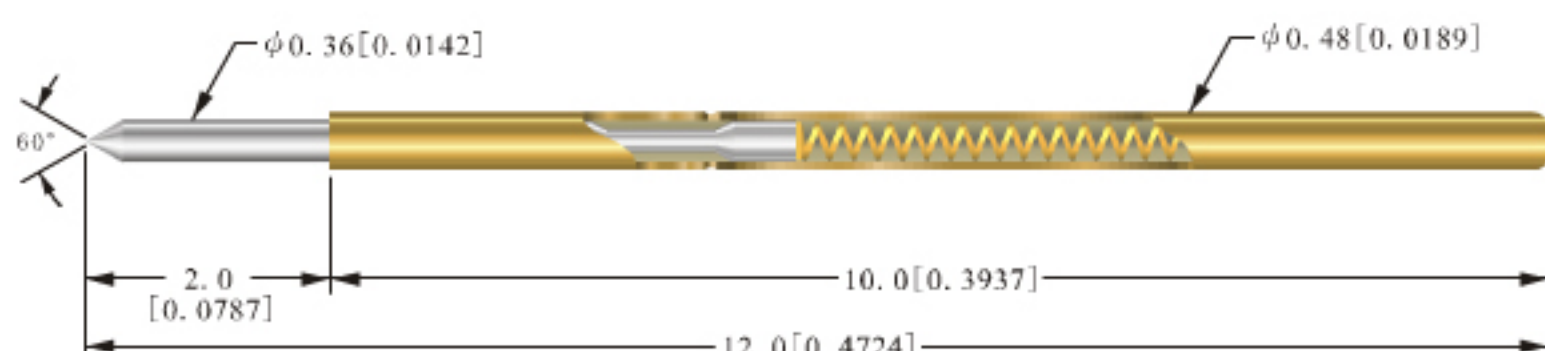
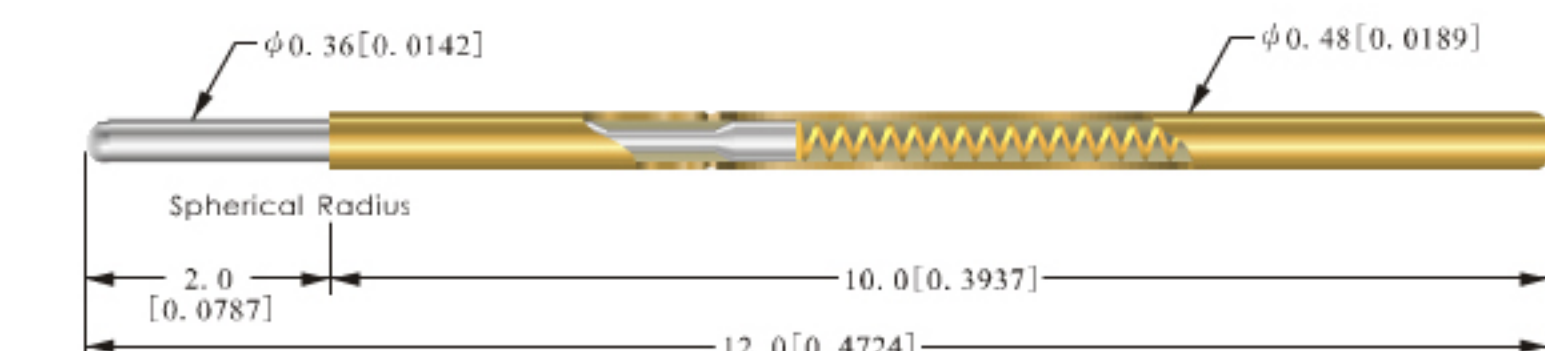


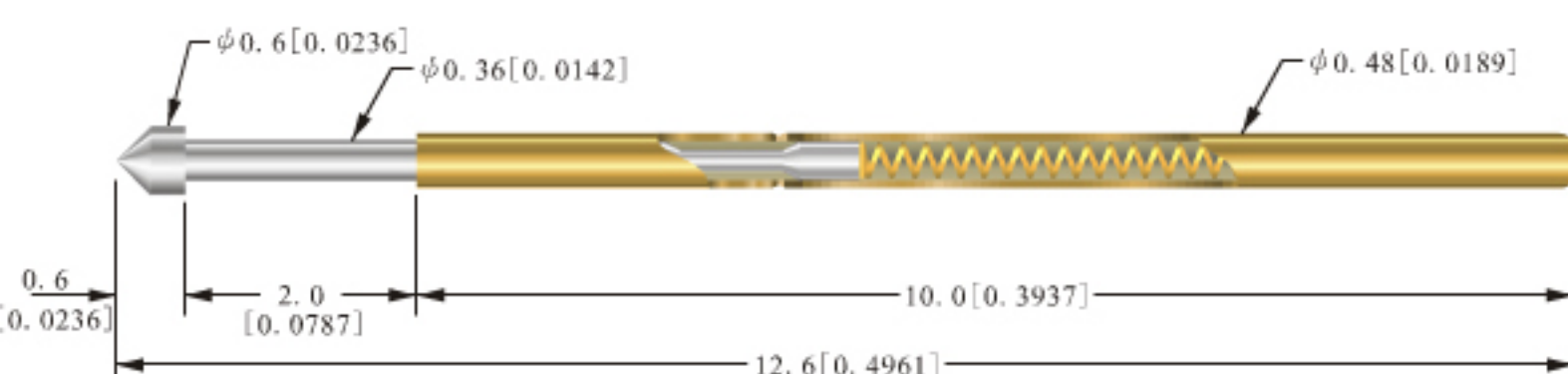
## P-048BS



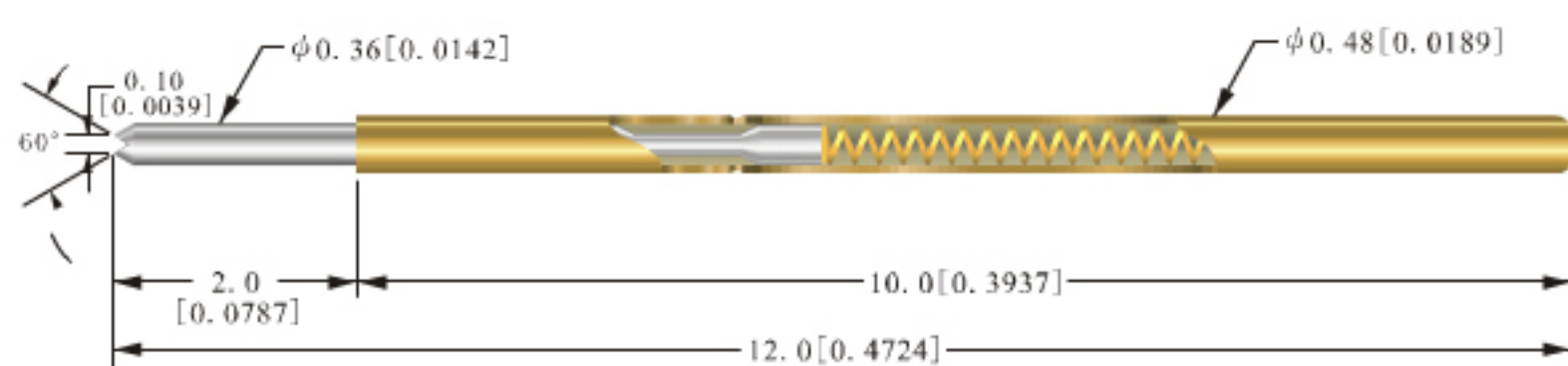
## P-048DS



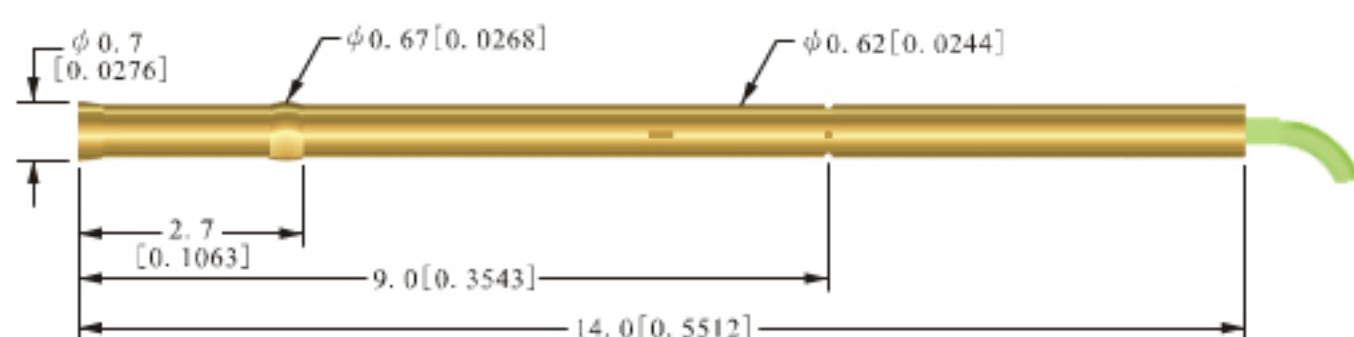
## P-048ES



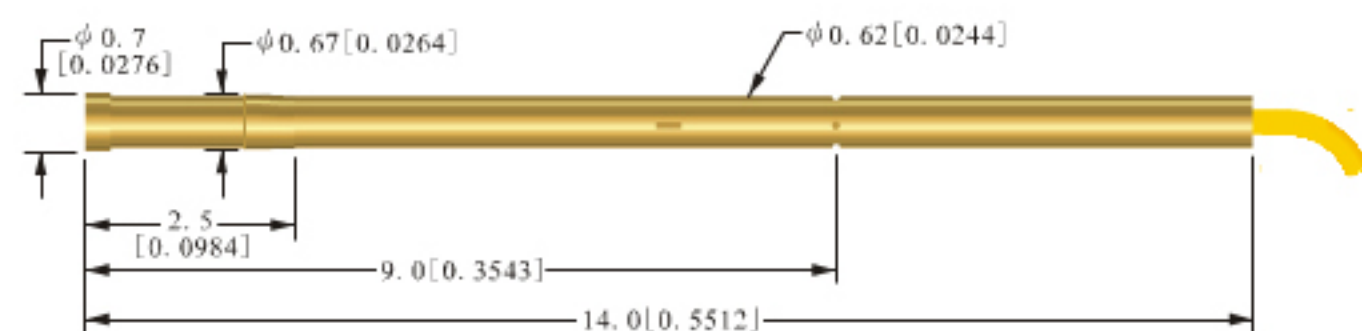
## P-048FS



## R-048VS[W]



## R-048R[C][W]



**Plunger:** High Carbon Steel with Rhodium Plated or Gold Plated

**Spring:** Music Wire with Gold Plated

Receptacle with Terminal Wire

**Barrel:** Phosphor Bronze with Gold Plated

**Receptacle:** Phosphor Bronze with Gold Plated

<b>Min. Center:</b>	0.9 mm [0.0354 inch]	<b>Current Rating:</b>	1 A
<b>Full Stroke:</b>	2.0 mm [0.0787 inch]	<b>Contact Resistance:</b>	150 m $\Omega$
<b>Full Stroke Spring Force (<math>\pm 20\%</math>):</b>	60 g [2.12oz]	<b>Recommended Hole Size:</b>	0.60 mm-0.65 mm [0.0236 inch]-[0.0256 inch]
<b>2/3 Stroke Spring Force (<math>\pm 20\%</math>):</b>	45 g [1.59oz]		