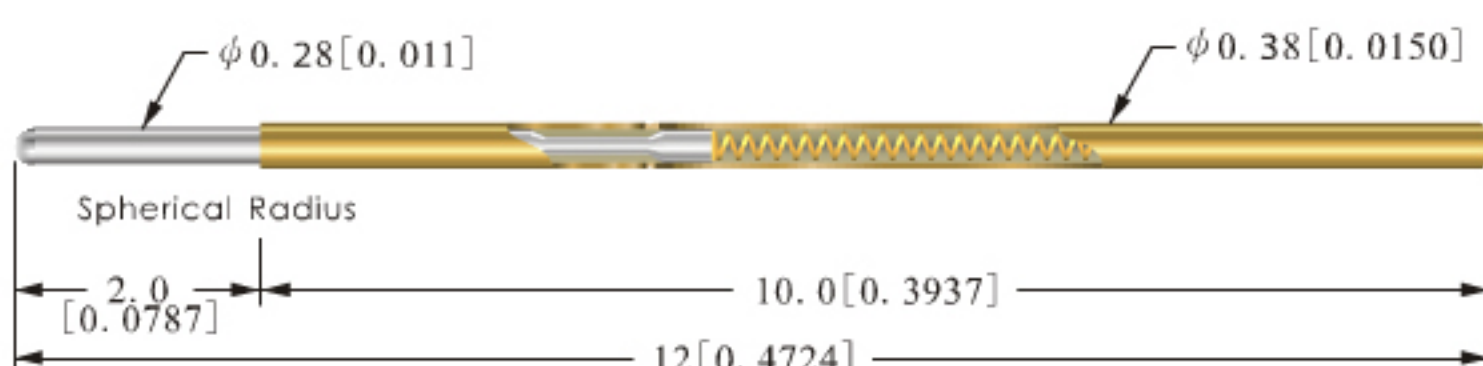


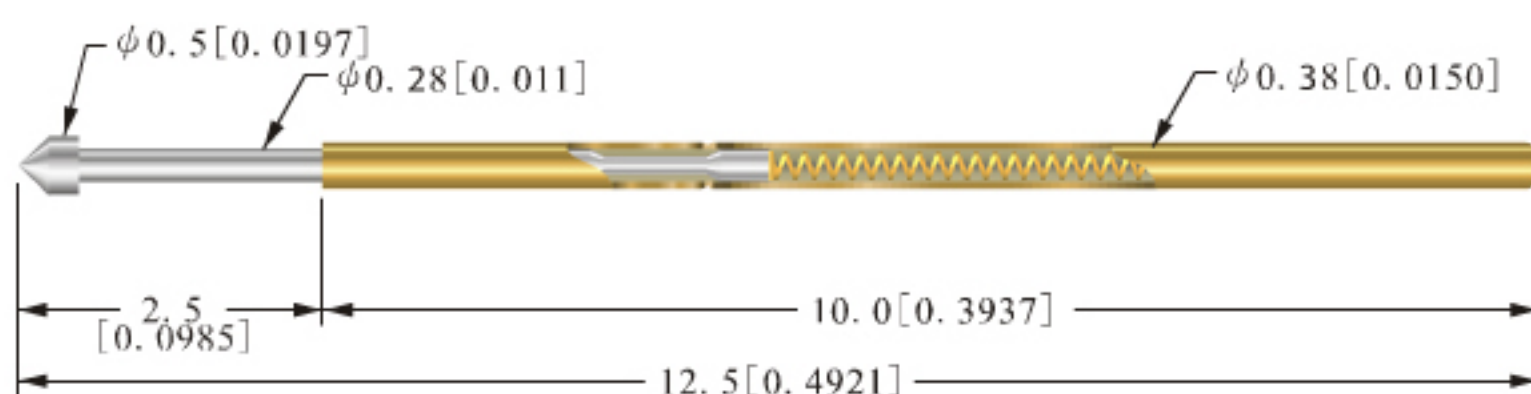
P-038BS



P-038DS



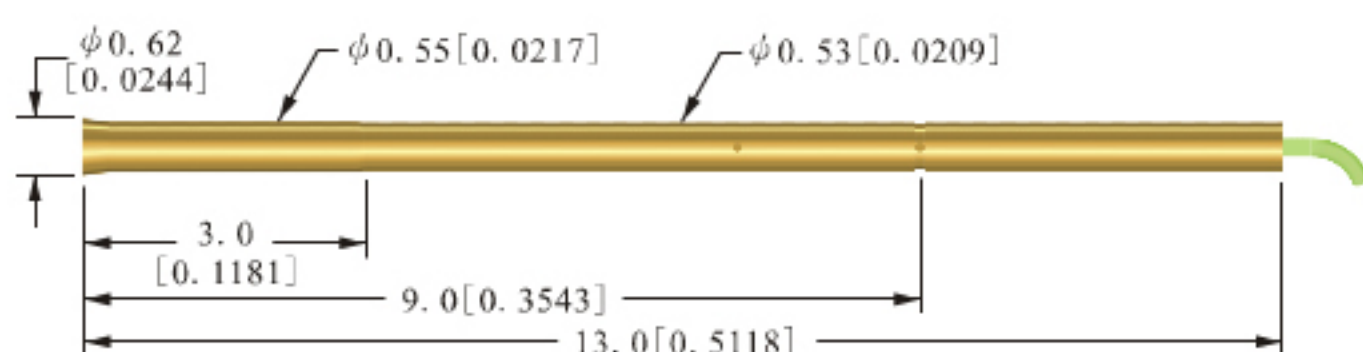
P-038ES



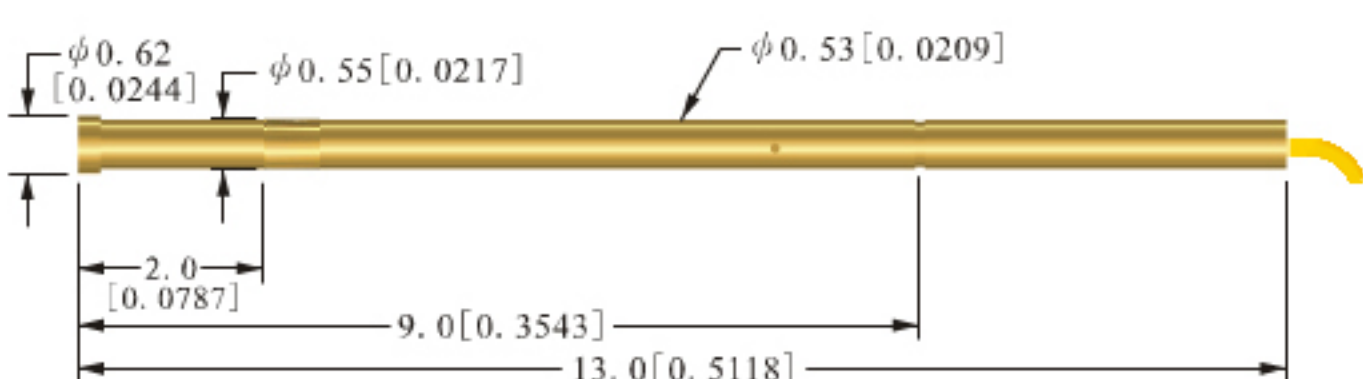
P-038FS



R-038VS[W]



R-038R1[C][W]



Plunger: High Carbon Steel with Rhodium Plated or Gold Plated

Spring: Music Wire with Gold Plated

Receptacle with Terminal Wire

Barrel: Phosphor Bronze with Gold Plated

Receptacle: Phosphor Bronze with Gold Plated

Min. Center:	0.80 mm [0.0315 inch]	Current Rating:	0.5 A
Full Stroke:	2.0 mm [0.079 inch]	Contact Resistance:	180 mΩ
Full Stroke Spring Force (±20%):	40 g [1.41oz]	Recommended Hole Size:	0.52 mm-0.57 mm [0.0204 inch]-[0.0224 inch]
2/3 Stroke Spring Force (±20%):	30 g [1.06oz]		