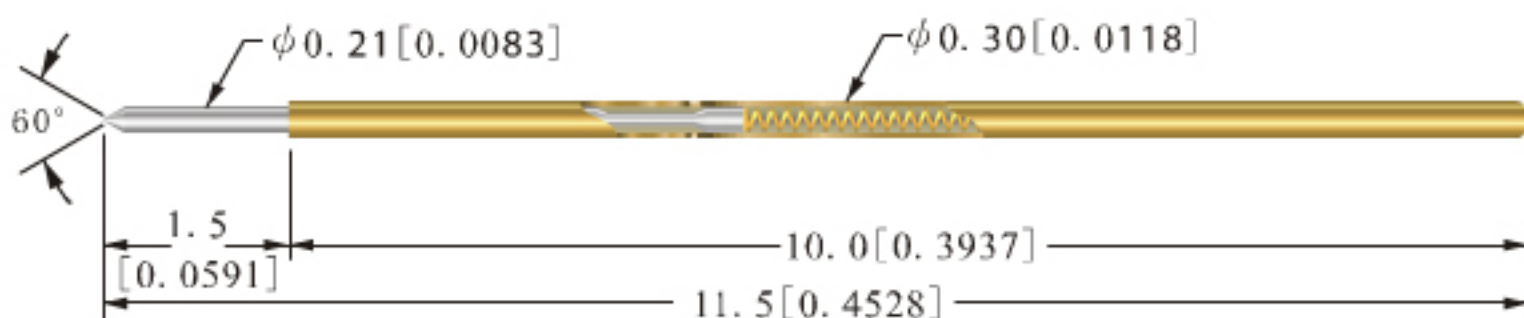
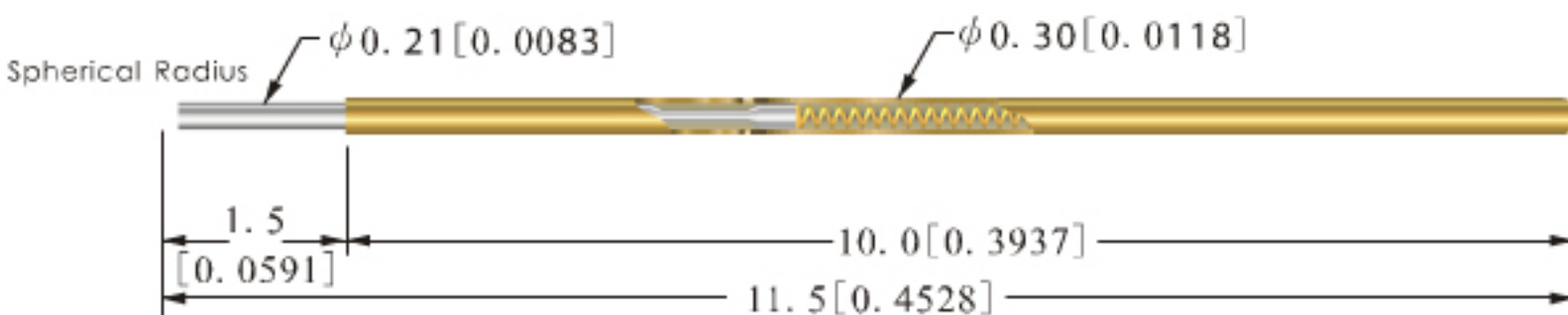


P-030B ▶

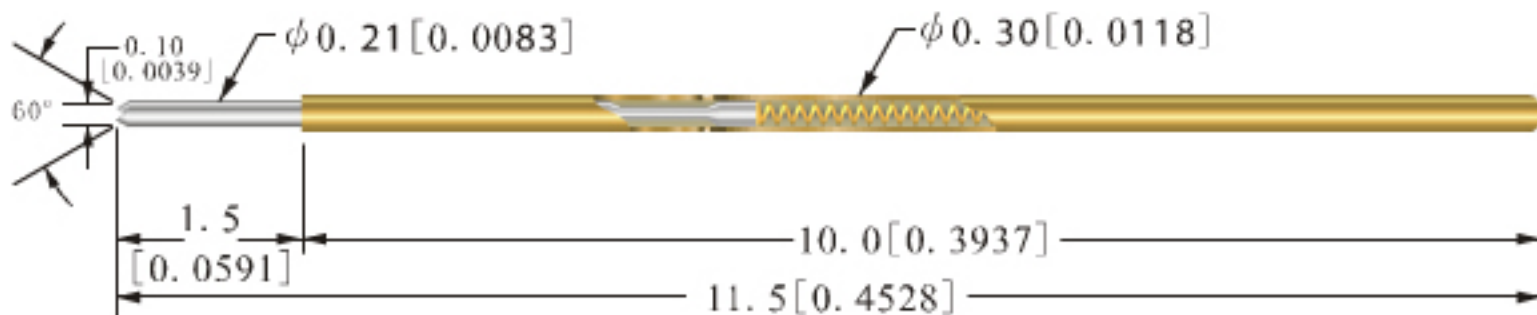
Unit: mm



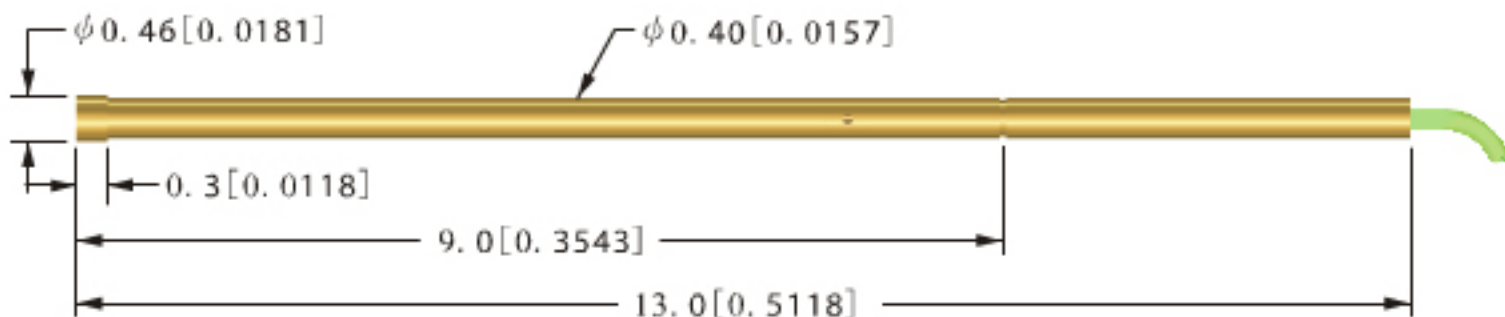
P-030D ▶



P-030F ▶



R-030R[W] ▶



**Plunger:** High Carbon Steel with Rhodium Plated or Gold Plated

**Spring:** Music Wire with Gold Plated

Receptacle with Terminal Wire

**Barrel:** Phosphor Bronze with Gold Plated

**Receptacle:** Phosphor Bronze with Gold Plated

<b>Min. Center:</b>	0.65 mm [0.0256 inch]	<b>Current Rating:</b>	0.5 A
<b>Full Stroke:</b>	1.5 mm [0.059 inch]	<b>Contact Resistance:</b>	200 mΩ
<b>Full Stroke Spring Force (±20%):</b>	50 g [1.76oz]	<b>Recommended Hole Size:</b>	0.4064 mm-0.45 st [0.0160 inch]-[0.0177 inch]
<b>2/3 Stroke Spring Force (±20%):</b>	40 g [1.41oz]		