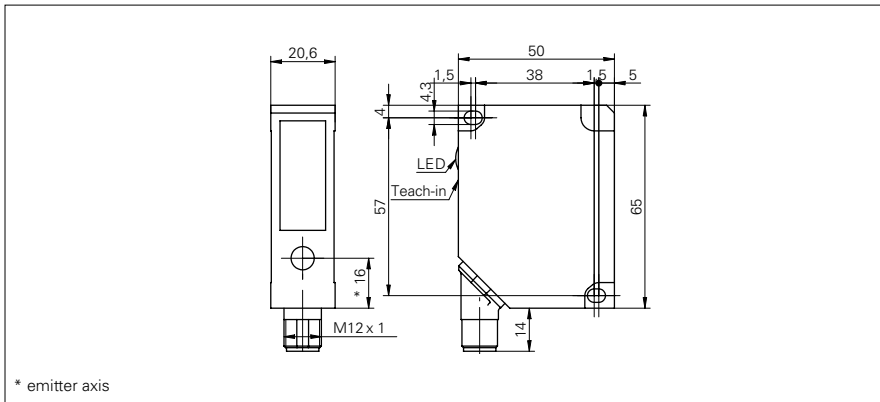


Distance sensors

OADM 20 (Laser, variable sensing range, < 300 mm)

sample drawing



general data

adjustment	Teach-in: button / external
power on indication	LED green
soiled lens indicator	LED red / LED red blinking
light source	pulsed red laser diode
wave length	650 nm
laser class	2

measuring distance Sd = 30 ... 70 mm

Teach-in range min.	> 2 mm
resolution	0,004 ... 0,02 mm
linearity error	± 0,012 ... ± 0,06 mm

measuring distance Sd = 30 ... 130 mm

Teach-in range min.	> 3 mm
resolution	0,005 ... 0,06 mm
linearity error	± 0,015 ... ± 0,2 mm

measuring distance Sd = 50 ... 300 mm

Teach-in range min.	> 5 mm
resolution	0,01 ... 0,33 mm
linearity error	± 0,03 ... ± 1 mm

electrical data

response time / release time	< 0,9 ms
voltage supply range +Vs	12 ... 28 VDC
current consumption max.	100 mA
output circuit	analog
output signal	4 ... 20 mA / 0 ... 10 VDC
load resistance (analog I)	< (+Vs - 6 V) / 0,02 A
load resistance (analog U)	> 100 kOhm
output current	< 100 mA
alarm output	PNP
short circuit protection	yes
reverse polarity protection	yes, Vs to GND

sample picture



Distance sensors

OADM 20 (Laser, variable sensing range, < 300 mm)

mechanical data

width / diameter	20,6 mm
height / length	65 mm
depth	50 mm
type	rectangular
housing material	die-cast zinc
front (optics)	glass
connection types	connector M12 8 pin, rotatable

ambient conditions

operating temperature	0 ... +50 °C
protection class	IP 67

order reference	measuring distance Sd	beam type	beam width	beam height	beam diameter
OADM 2016441/S14F	30 ... 70 mm	point	-	-	1 ... 0,2 mm
OADM 2016460/S14F	30 ... 130 mm	point	-	-	2 ... 1 mm
OADM 2016472/S14F	50 ... 300 mm	point	-	-	2 mm
OADM 2016541/S14F	30 ... 70 mm	line	1 ... 0,2 mm	2 mm	-
OADM 2016560/S14F	30 ... 130 mm	line	2 ... 1 mm	3 ... 5 mm	-
OADM 2016572/S14F	50 ... 300 mm	line	2,5 mm	4 ... 12 mm	-