



Diffuse Ref. Photoelectric Sensors



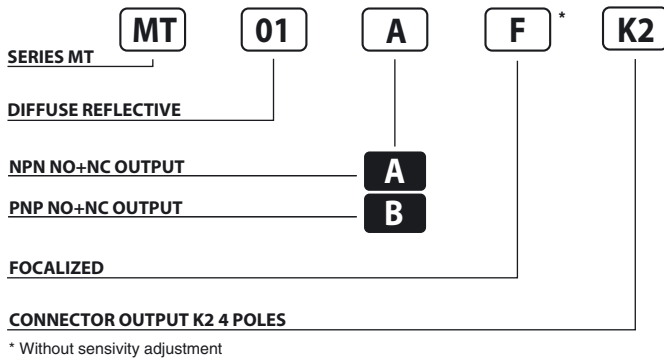
PHOTOELECTRIC SENSORS IN MINIATURE HOUSING 12 ÷ 30 V DC NPN OR PNP OUTPUT

- Miniaturized housing
- Sensitivity adjustment
- Yellow LED - output indicator
- Green LED - stability indicator
- M8 connector output 4 poles

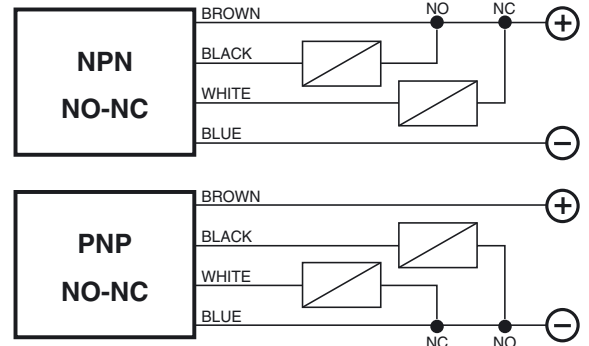
MT Series



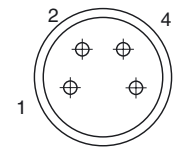
Identification code



Wiring diagrams



Connection with connector M8 (K2)



View of quadripole male connector

CONTACTS CONFIGURATION

Output	Contacts numbers			
	1	2	3	4
NPN/PNP NO+NC	+	NC	-	NO

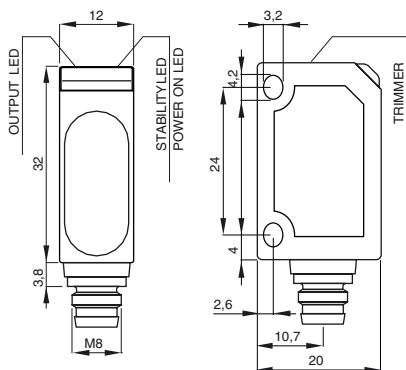
AVAILABLE	DIFFUSE REFLECTIVE	FOCALIZED
NOMINAL SWITCHING DISTANCE (Sn)	0,2...35 cm ⁽¹⁾	11 cm ⁽¹⁾
HOUSING MATERIAL	ABS	
OPERATING VOLTAGE	10-30 VDC	
RESIDUAL RIPPLE	< 2Vpp	
ABSORPTION	< 35mA	
EMISSION	Infrared led 880 nm	Red LED 660 nm
MAX. OUTPUT CURRENT	100 mA	
VOLTAGE DROP	< 2V	
SWITCHING FREQUENCY	500 Hz	
RESPONSE TIME	1 mS	
SENSITIVITY ADJUSTMENT	Present	-
LED	Present	
LIGHT IMMUNITY	> 5000 Lux ⁽²⁾	
PROTECTION DEGREE	IP 66	
TEMPERATURE LIMITS	-25/+55°C	
REVERSE POLARITY PROTECTION	Present	
SHORT CIRCUIT PROTECTION	Present	
START UP DELAY	< 300 mS	
CONNECTION	M8 Connector (4 poles)	
WEIGHT	26 g	

⁽¹⁾ Determined with a white mat paper (cm 10 x 10).

⁽²⁾ Determined with halogen tungsten lamp 3000° K.

Note: for a proper use see norms at pages 14, 15, 16, 17 and 18.

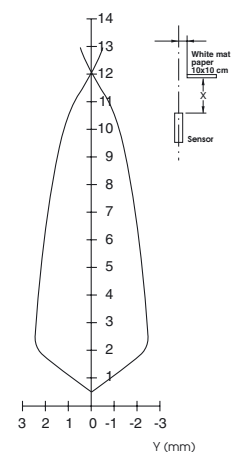
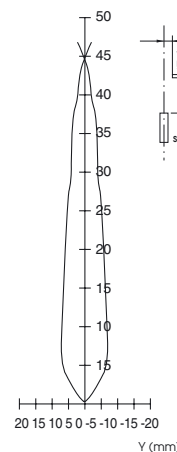
Dimensions (mm)



Characteristic curves

DIFFUSE REFLECTIVE
Distance X (cm)

FOCALIZED DIFFUSE REFLECTIVE
Distance X (cm)



new