



Retro Ref. Photoelectric Sensors



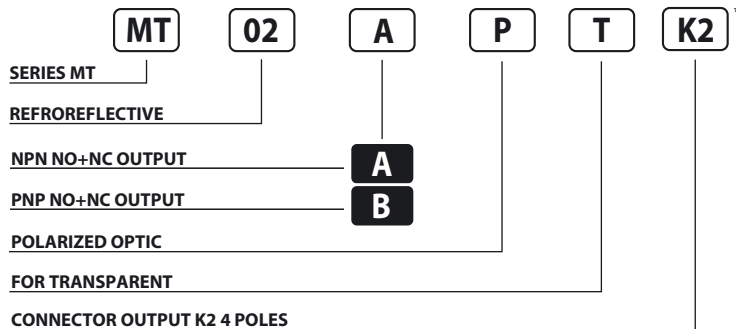
PHOTOELECTRIC SENSORS IN MINIATURE HOUSING 12 ÷ 30 V DC NPN OR PNP OUTPUT

- **Miniaturized housing**
- **Sensitivity adjustment**
- **Yellow LED - output indicator**
- **Green LED - stability indicator**
- **M8 connector output 4 poles**

MT Series



Identification code



* Available only with K2 (M8 4 poles connector)

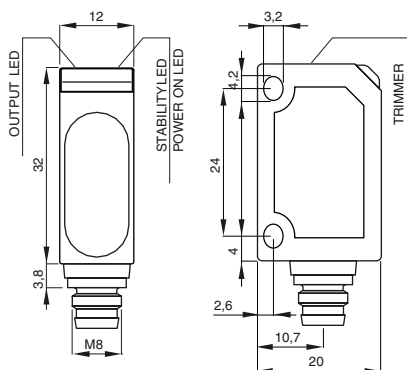
AVAILABLE	POLARIZED RETROREFLECTIVE	POLARIZED RETROREFLECTIVE FOR TRANSPARENT
NOMINAL SWITCHING DISTANCE (S _n)	2 m ⁽¹⁾	0,1...0,7 m ⁽¹⁾
HOUSING MATERIAL	ABS	
OPERATING VOLTAGE	10-30 VDC	
RESIDUAL RIPPLE	< 2Vpp	
ABSORPTION	< 35mA	
EMISSION	Red led 660 nm	Infrared LED 880 nm
MAX. OUTPUT CURRENT	100 mA	
VOLTAGE DROP	< 2V	
SWITCHING FREQUENCY	500 Hz	
RESPONSE TIME	1 mS	
SENSITIVITY ADJUSTMENT	Present	
LED	Present	
LIGHT IMMUNITY	> 5000 Lux ⁽²⁾	
PROTECTION DEGREE	IP 66	
TEMPERATURE LIMITS	-25/+55°C	
REVERSE POLARITY PROTECTION	Present	
SHORT CIRCUIT PROTECTION	Present	
START UP DELAY	< 300 mS	
CONNECTION	M8 Connector (4 poles)	
WEIGHT	26 g	

⁽¹⁾ Determined with CT04S reflector.

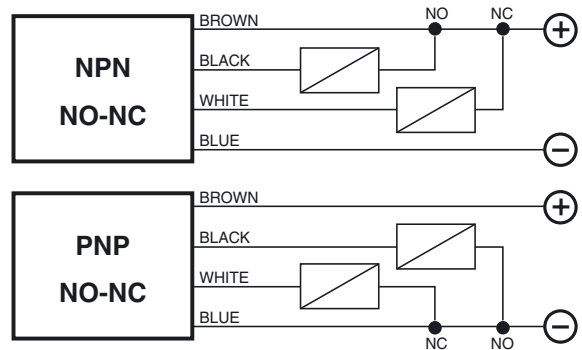
⁽²⁾ Determined with halogen tungsten lamp 3000° K.

Note: for a proper use see norms at pages 14, 15, 16, 17 and 18.

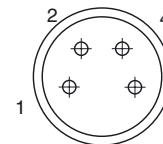
Dimensions (mm)



Wiring diagrams



Connection with connector M8 (K2)



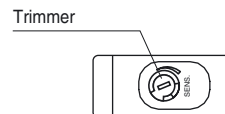
View of quadripole male connector

CONTACTS CONFIGURATION

Output	Contacts numbers			
	1	2	3	4
NPN/PNP NO+NC	+	NC	-	NO

Sensitivity adjustment

- 1) **SENSITIVITY INCREASE**
Screw the trimmer towards right towards position "+"
- 2) **SENSITIVITY DECREASE**
Screw the trimmer towards left towards position "-"



Note: the trimmer just needs one turn.

Characteristic curves

POLARIZED RETRO REFLECTIVE Distance X (m) POLARIZED RETRO REFLECTIVE FOR TRANSPARENT Distance X (m)

