

Features:

- Parallel motion can be used for either internal or external holding.
- Compact design, gripper body is made of hardcoated aluminum, ensures better abrasion and corrosion resistance.
- Use unlubricated seals and bush for durable performance, maintenance with ease.
- Sensor switches are available for indication of jaw position.

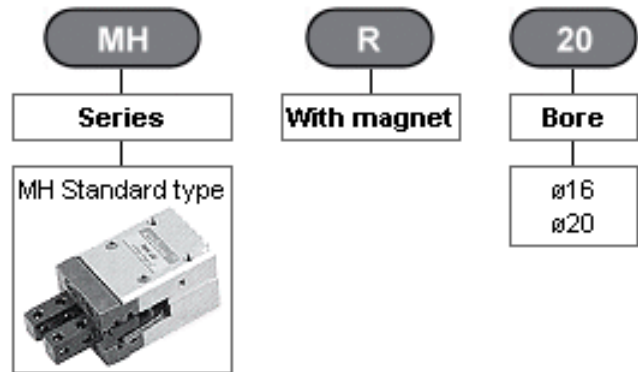


Specifications:

Action	Standard		Double acting type	
Series	MH		MHR	
Bore	ø16	ø20	ø16	ø20
Weight (g)	110	208	101	217
Operating fluid	Compressed air			
Operating pressure	2.0-7.0kgf/cm ²			
Proof pressure	10kgf/cm ²			
Speed range	50~100mm/sec			
Temperature range	-30°C~+80°C			
Lubrication	Not required			
Repeatability	±0.03mm			
Max. operating cycles	180 C.P.M.			

* Use proximity switch for sensing type, voltage: DC 12-24V ±10%

How to Order:

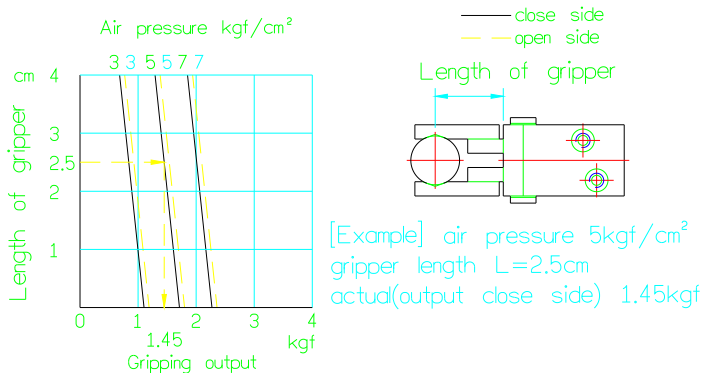


Gripping Force Diagrams

Type: MH-16

Adequate length of L should be less than 4 cm.

L: Distance to the gripping point(cm)

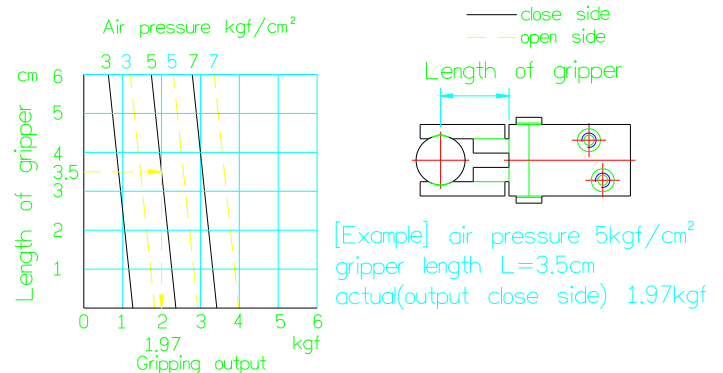


Gripping Force Diagrams

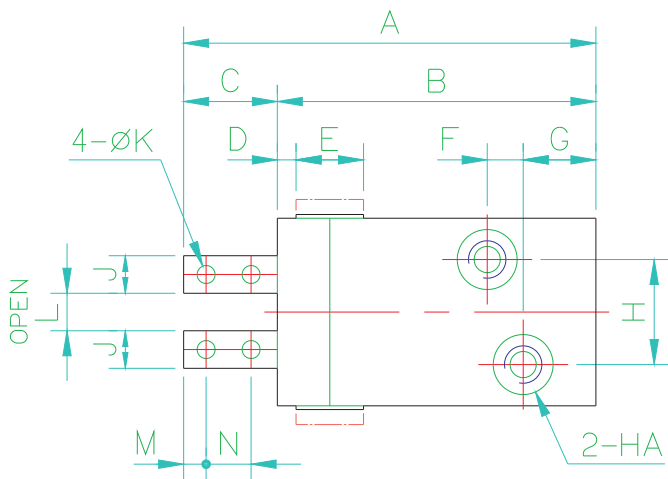
Type: MH-20

Adequate length of L should be less than 4 cm.

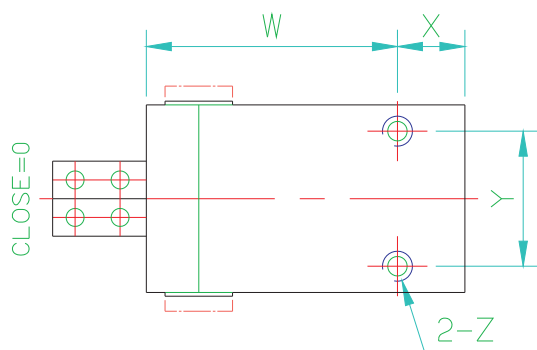
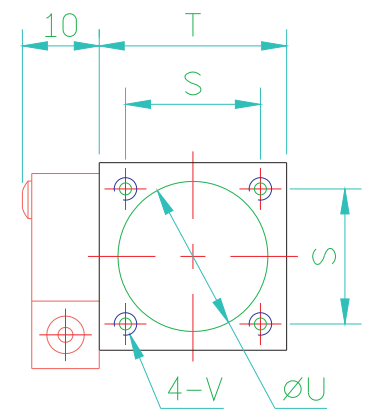
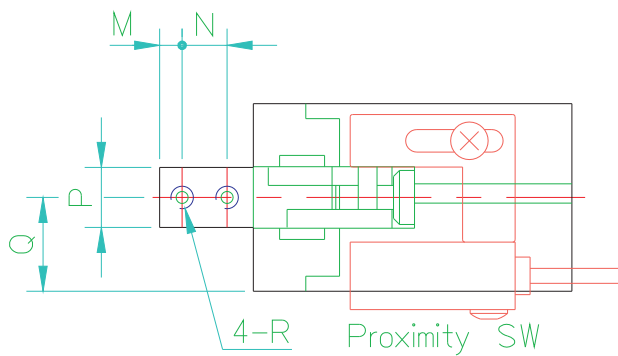
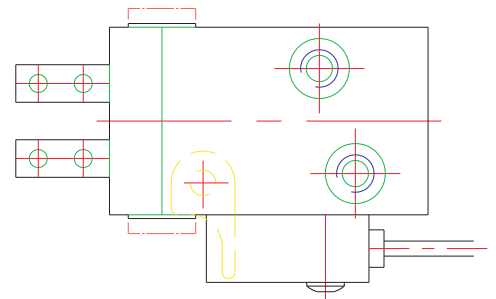
L: Distance to the gripping point (cm)



External Dimensions:



Use proximity switch
for sensing type



Type	A	B	C	D	E	F	G	H	HA	J	K	L	M	N
MH16	55	42.5	12.5	2.5	9	4.8	9.7	14	M5x0.8 dp 4	5	-	5	3	6
MH20	69	51	18	3	12	8	6.5	13	M5x0.8 dp 4	8	3.5	6	4	10

Type	P	Q	R	S	T	U	V	W	X	Y	Z
MH16	8	12.5	M3x0.5	18	25	ø20 dp 1.5	M3x0.5 dp 6	33.5	9	18	M4x0.7 dp 6
MH20	10	16	M4x0.7	24	32	ø22 dp 1.5	M4x0.7 dp 6	41	10	24	M4x0.7 dp 6