

## Features:

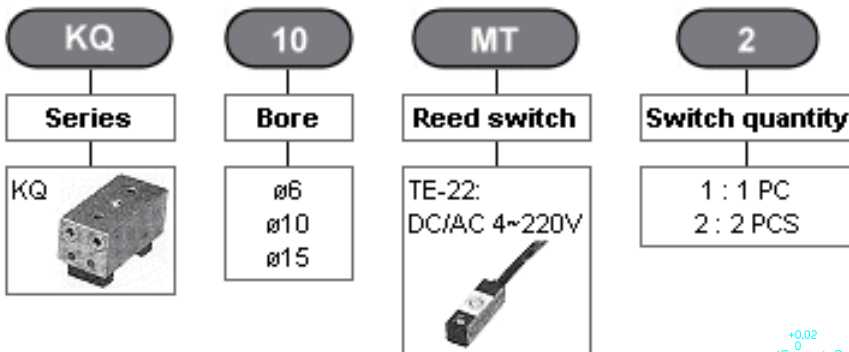
- Integral assembly of jaws and pistons making miniature and light weight package.
- Ideal for handling small parts in confined areas.
- Precisely machined and anodized aluminium alloy construction.
- Reed switch TE22 available to control open and close positions.
- Fully repairable for easy maintenance.



## Specifications:

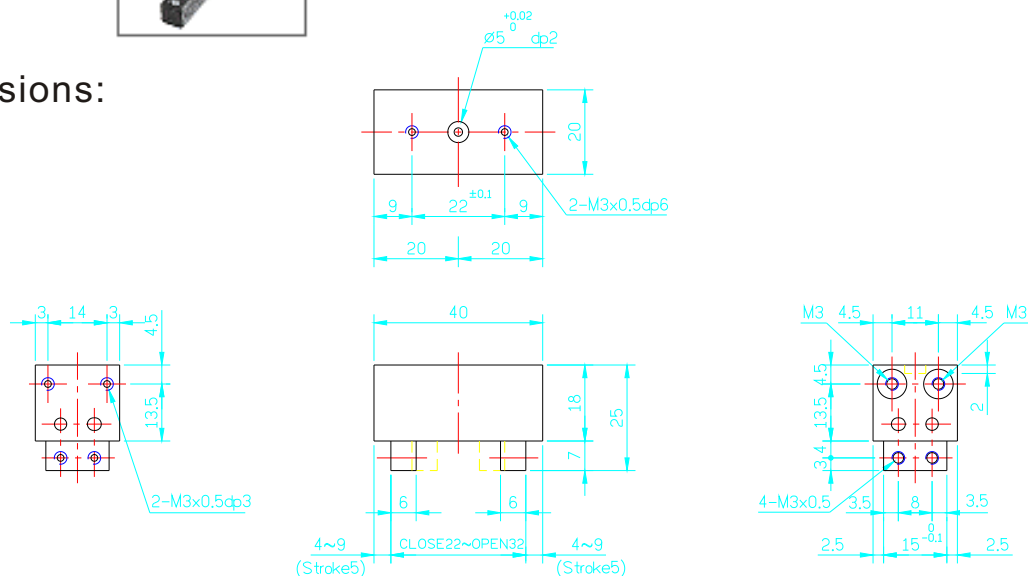
<b>Action</b>	Double acting with magnetic piston		
<b>Series</b>	KQ		
<b>Bore</b>	ø6	ø10	ø15
<b>Operating fluid</b>	Compressed air		
<b>Operating pressure</b>	3.0~7.0kgf/cm <sup>2</sup>		
<b>Operating speed</b>	90		
<b>Operating Temperature</b>	-10°C~+70°C		
<b>Lubrication</b>	Not required		
<b>Repetitive accuracy</b>	Initial value:±0.1 200 million cycles:±0.2		
<b>Life</b>	5 million cycles (no loading, normal operating)		
<b>Stroke</b>	10	15	20
<b>Exhaust volume</b>	0.16	0.63	1.9
<b>Max. length of attchment form finger end</b>	1.6	2.5	5.0
<b>Fitting</b>	M3	M5	
<b>Weight</b>	45g	120g	280g

## How to Order:



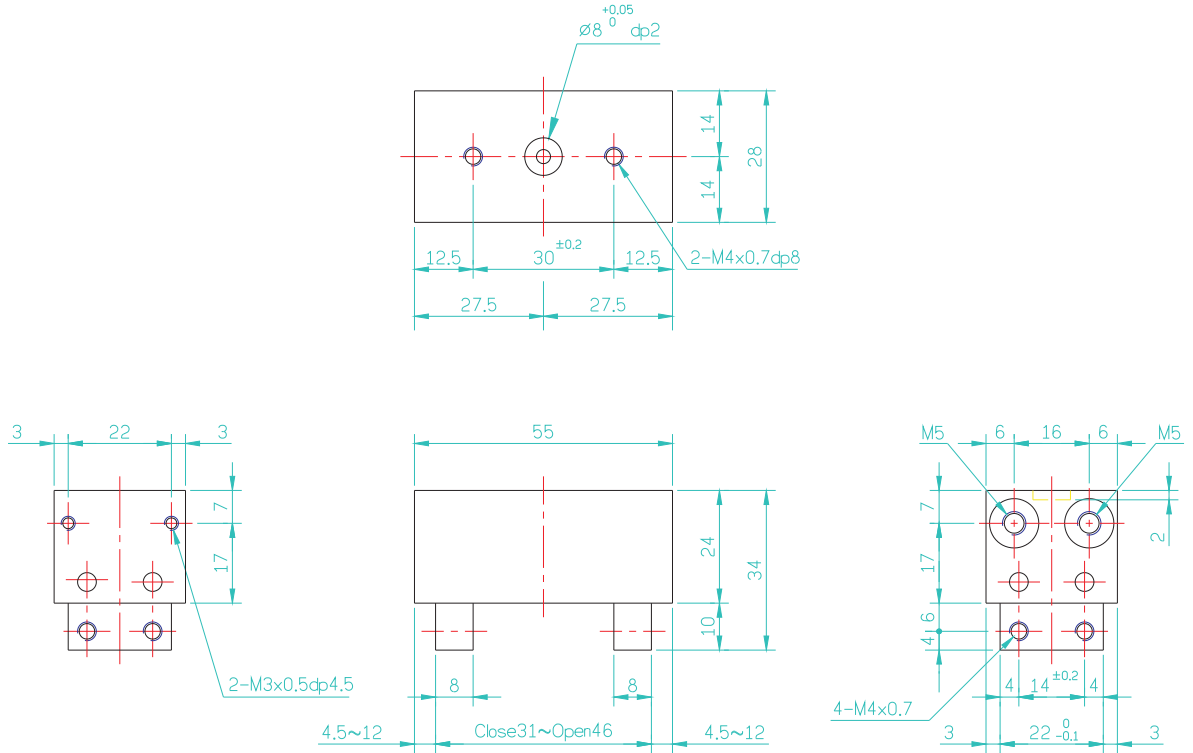
## External Dimensions:

- KQ06



# External Dimensions:

## • KQ10



## • KQ15

