

As Multi-pointer Indicator, KN-2300 using micro process have excellent function such as Auto-Man channel skip scaling and channel converting time set and many other functions. For full application of these functions, please read this manual carefully.

### Features

- Scaling can be changed by user's choice.
- Channel skip, channel converting time, Auto/Man change is possible.
- Individual channel sensor compensation is possible.
- Easy to operate key-Board

### Ordering Codes

KN-2300	POWER	INPUT	CONTENT
	0		AC 110/220v (By internal S/W)
		1	R(PR.13%)
		2	S(PR.10%)
		3	K(CA)
		4	J(IC)
		5	T(CC)
		6	B(PR.30%)
		7	E(CRC)
		8	PT.100(JIS)
		9	PT.100(DIN)
		C	mV(+200Mv)
		D	V(+10V)
		E	4~20Mv
		F	Others(option)

### Specifications

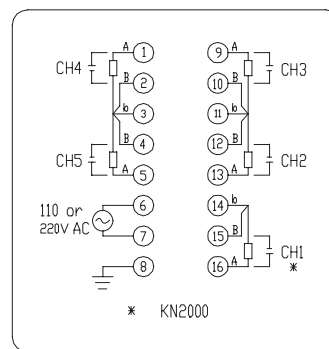
- Dimension : 96(W)x48(H)x112(D) mm
- Accuracy : Higher of  $\pm 0.3F.S1$ DIGIT(Ambient  $25^{\circ}\text{C} \pm 5^{\circ}\text{C}$ )
- Input measuring cycle : 200mS
- Input resistance : V(500 K $\Omega$  or more), mA(250 $\Omega$ ), others 1M $\Omega$
- Max. RTD LEAD Resistance : 20 $\Omega$ /Line
- C.M.R.R : 140dB or more
- N.M.R.R : 50dB or more
- Power supply : AC 110/220V $\pm 10\%$  60Hz
- Power consumption : 5VA
- Insulation resistance : 100M $\Omega$  or more(500VAC)(FG-INPUT, FG\_POWER)
- Ambient temperature/humidity : operation :  $-5 \sim 55^{\circ}\text{C}$ (10~90%RH)
- Weight : Approx. 450g
- Installation : Pannel Mounting type
- Input : User unique input selection
- Display : -999~9999(for mV, V, mA only)



### Functions

FUNCTION	FACTORY DESPATCH	REMARK
Auto/man	Auto	
Skip	All display	
Channel time	3 sec	
Scaling function	0-100%	MV, V, mA Input only
Burn out	0	HI.LO Set at user request

### Connections



### Dimensions, Panel Cutout

