

This pressure switch designed and manufactured considering importance to its endurance and reliability has excellent vibration-proof due to using special Bourdon tube. One or two contact and High, Low limit selection is possible.

Features

- Accuracy : 1 % max P
- Ambient Temperature : -20 ~ 608C
- Temperature coefficient : 0.005% max p/8C
- Pressure Setting Range : 15 ~ 90% of pressure range
- Setting Method : INSIDE Control set lock
- Wire Outlet : JIS 20b
- Case Material : ADC 12
- Weight : 1.3kg

Electric Characteristics				
Rating			Withstand voltage	Insulation resistance
	Resistance load	Inductive load	1500VAC A Between terminal and the case 50/60Hz 1 min	500VDC Over 100MΩ Between terminal and the case
125VAC	15A	15A		
250VAC	15A	15A		
125VAC	0.5A	0.05A		
30VDC	2A	1A		
. Power factor 0.4, Time constant 7ms				

	Contact form	Code	Actuation
SPDT	Upper limit one contact (Reverse lower limit onecontact)	H (LR)	With pressure exceeding (not exceeding) set point, contact a ctuates to turncircuit ON(OFF)
	Lower limit one contact (reverse upper limit onecontact)	L (HR)	With pressure exceeding (not exceeding) set point, contact a ctuates to turncircuit ON(OFF)
	Actuation diagram		Contact terminal Code
			1a - 1c
			1b - 1c

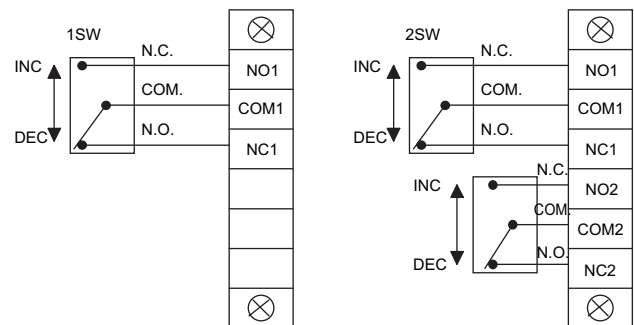
	Contact form	Code	Actuation
DPDT	Upper limit one contact (Reverse lower limit onecontact)	2 (2LR)	Two lower limit types are assembled to make them actuate at the same time.
	Lower limit one contact (reverse upper limit onecontact)	2L (2HR)	Two lower limit types are assembled to make them actuate at the same time.
	Actuation diagram		Contact terminal Code
			1s - 1c
			1b - 1c



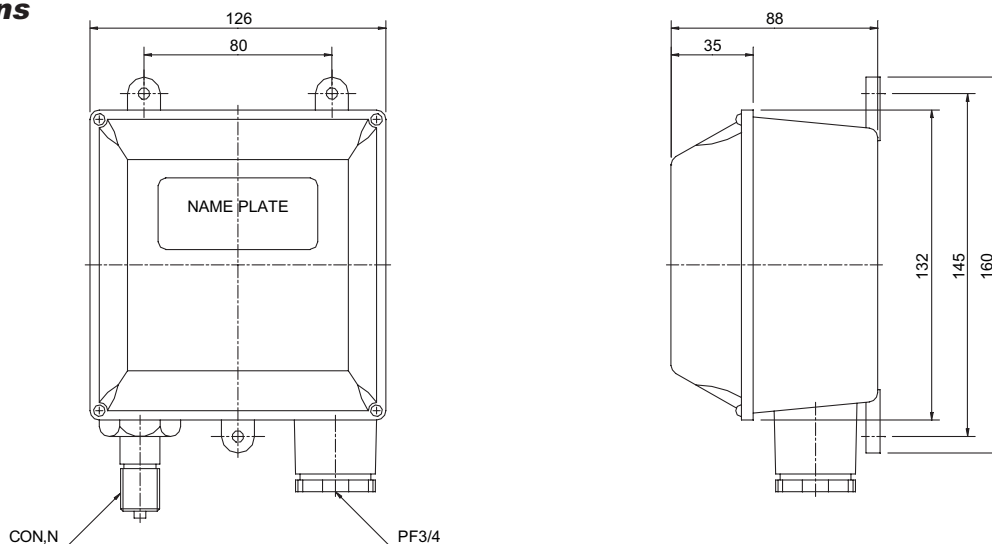
Ordering Codes

	Contact point	Connection	Range	Description
KCQ - 30	1			
	2			
		0		
		1		
				0 ~ 10 Kg cm ²

Connections



Dimensions



A	Recorders
B	Data Loggers
C	Indicators
D	Converters
E	Controllers
F	Thyristor Units
G	Transmitters
H	Temp. Sensors
I	Thermo Meters
J	Pressure Gauges
K	Others

SS-3010
~3080

SS-3110
~3300

KCQ-21
KCQ-30

KCD-21