

Features:

Compact, light weight, space-saving design.

Precisely machined and anodized aluminum profile housing.

Easy to disassemble for maintenance.

Full series with magnetic piston for reed switches.





Piston rod end with option of female or male thread.



Specifications:

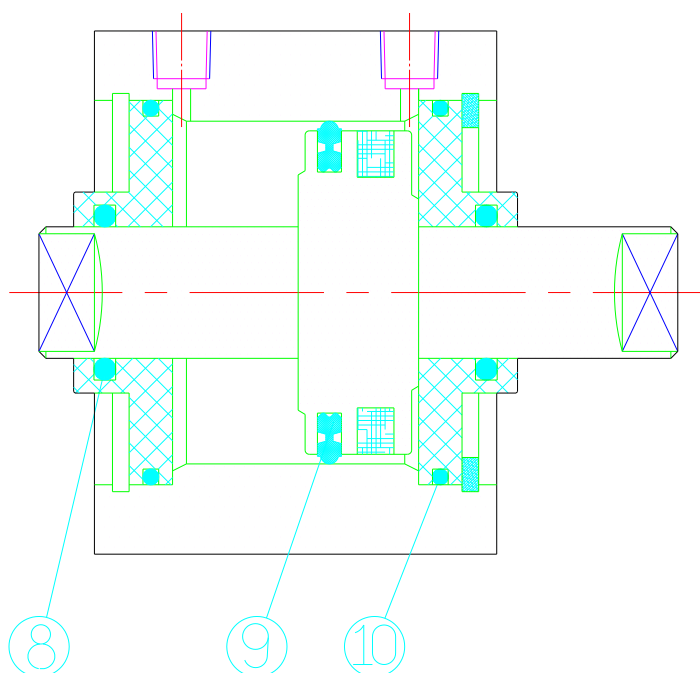
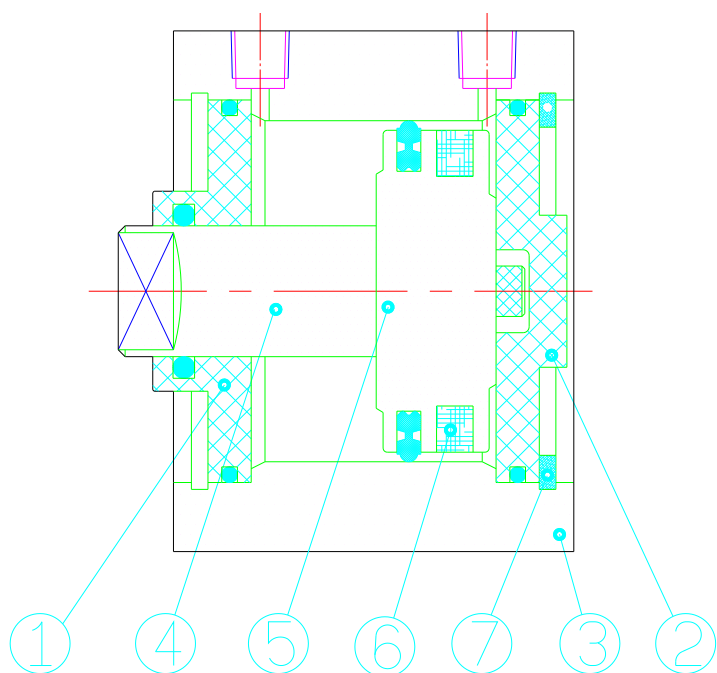
Action	Double acting type
Series	JG
Bore	ø12, 16, 20, 25, 32, 40, 50, 63, 80, 100
Operating pressure	1.5~9.9 kgf/cm ²
Operating fluid	Compressed air
Proof pressure	12 kgf/cm ²
Piston speed range	50~300 mm/sec
Temperature range	-10°C~+70°C
Cushion	None
Lubrication	Apply ISO VG32 or equivalent

How to Order:

JG	R	25	x	50	B	TA	2
Series	With magnet	Bore		Stroke	Rod end male thread	Reed switch	Switch quantity
JG Standard type 		ø12 ø16 ø20 ø25 ø32 ø40 ø50 ø63 ø80 ø100		5~35mm 5~35mm 5~60mm 5~60mm 5~100mm 5~100mm 10~100mm 10~100mm 10~100mm 10~100mm		TA-22: DC/AC 4~220V 	1 : 1 PC 2 : 2 PCS
JGW Double rod 							

Internal Construction:

- JG Double acting type



Parts List:

No.	Description	Material	Qty
①	Front cover	Anodized aluminium alloy	1
②	Rear end cover	Anodized aluminium alloy	1
③	Barrel	Anodized aluminium alloy	1
④	Piston rod	Hard chrome plated carbon steel	1
⑤	Piston	Aluminium alloy	1
⑥	Magnet	Resinous magnet	1
⑦	Snap ring	SK5M	2
⑧	Spring	SK5M	1
⑨	Spacer	Anodized aluminium alloy	1

Seals List:

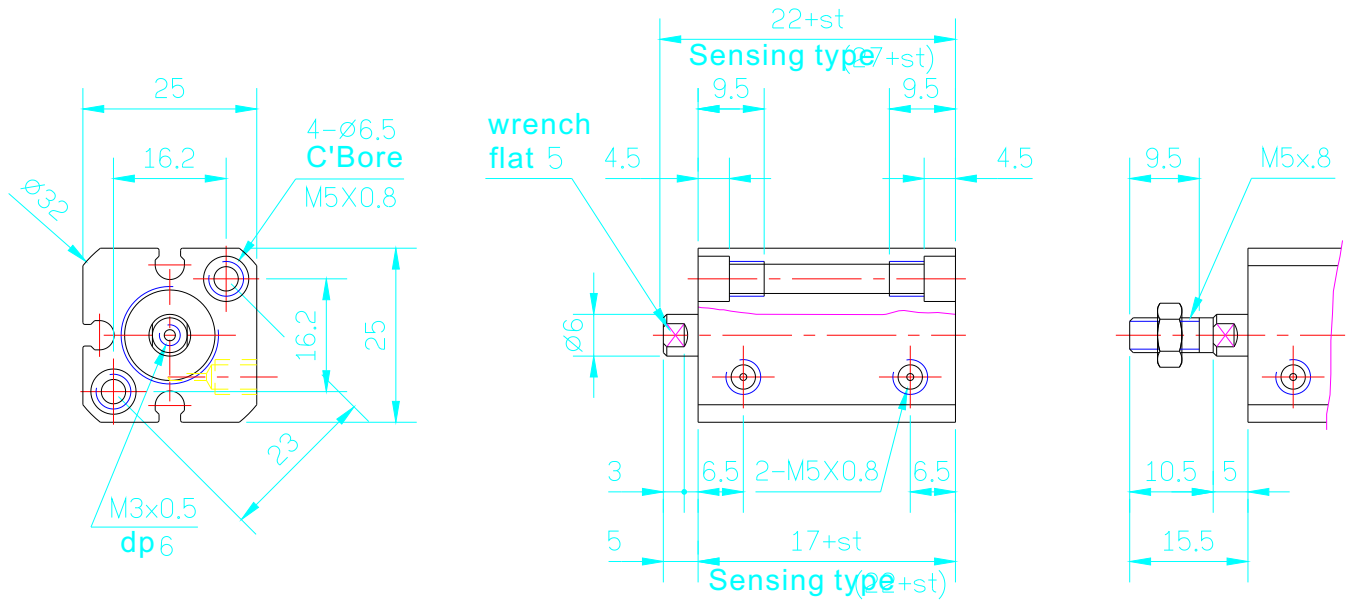
Bore\Desc.	⑧ Piston rod seal	⑨ Piston seal	⑩ End cover seal
ø12	MYA6	APA12	SM10
ø16	MYA6	APA16	SM14
ø20	MYA8	APA20	SM20
ø25	MYA10	APA25	SM22
ø32	MYA12	APA32	SM28
ø40	MYA16	APA40	SM36
ø50	MYA20	APA50	SM46
ø63	MYA20	APA63	SM60
ø80	P25	APA80	SM75
ø100	P30	APA100	SM95

Standard Stroke:

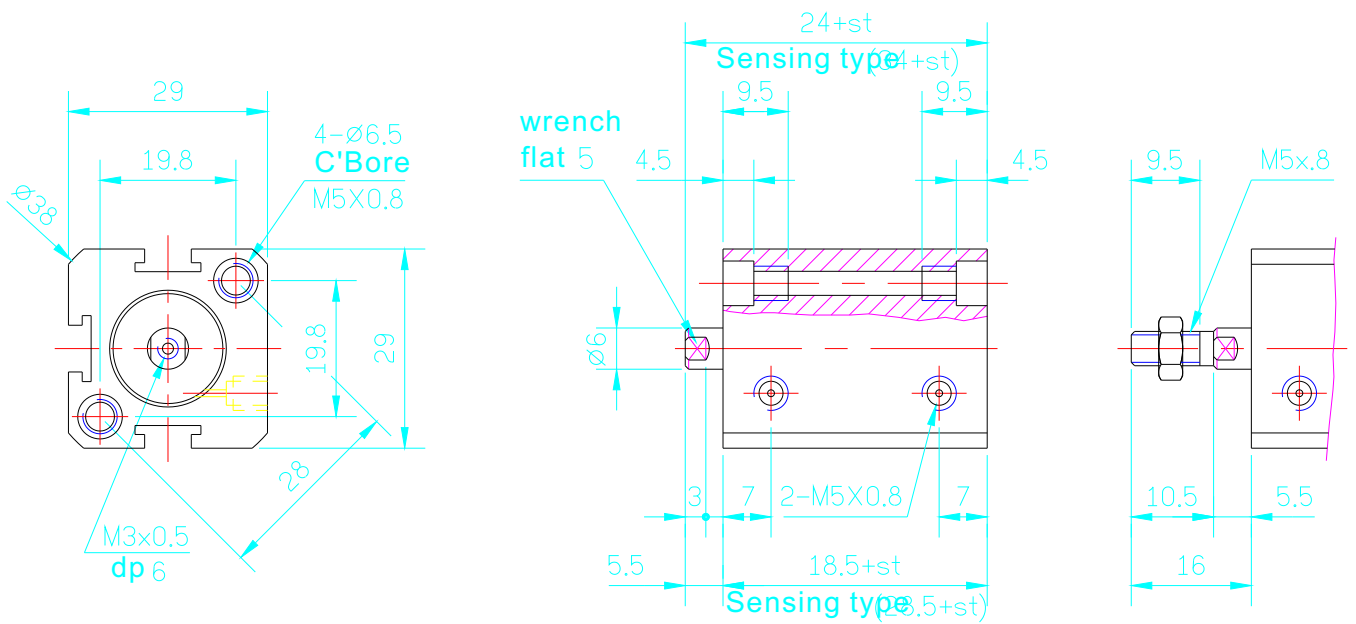
Action	JG Standard stroke													JGW Standard stroke										
	Bore mm	5	10	15	20	25	30	35	40	50	60	75	100	5	10	15	20	25	30	40	50	75	100	
Double acting type	ø12	●	●	●	●	●	●	●						●	●	●	●	●	●					
	ø16	●	●	●	●	●	●	●						●	●	●	●	●	●					
	ø20	●	●	●	●	●	●	●	●	●	●			●	●	●	●	●	●	●	●	●		
	ø25	●	●	●	●	●	●	●	●	●	●			●	●	●	●	●	●	●	●	●		
	ø32	●	●	●	●	●	●	●	●	●	●	●	●	●	●	●	●	●	●	●	●	●	●	●
	ø40	●	●	●	●	●	●	●	●	●	●	●	●	●	●	●	●	●	●	●	●	●	●	●
	ø50		●	●	●	●	●	●	●	●	●	●	●	●	●	●	●	●	●	●	●	●	●	●
	ø63		●	●	●	●	●	●	●	●	●	●	●	●	●	●	●	●	●	●	●	●	●	●
	ø80		●		●	●	●		●	●	●	●	●	●		●	●	●		●	●	●	●	●
	ø100		●		●		●		●	●	●	●	●	●		●		●	●	●	●	●	●	●

External Dimensions:

• JG12/JGR12



• JG16/JGR16



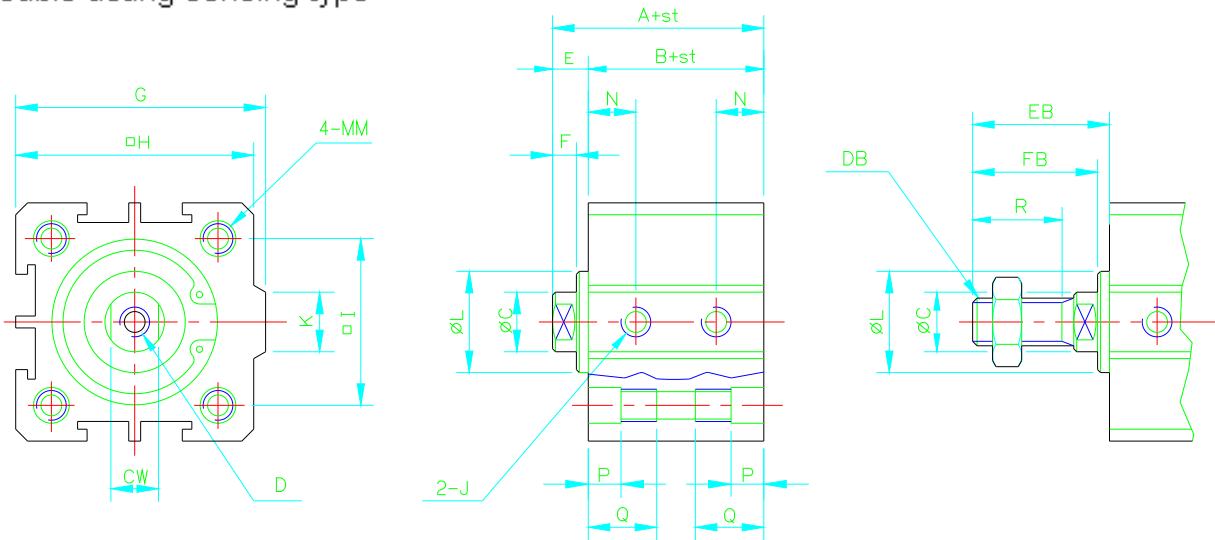
Weight table:

Unit: g

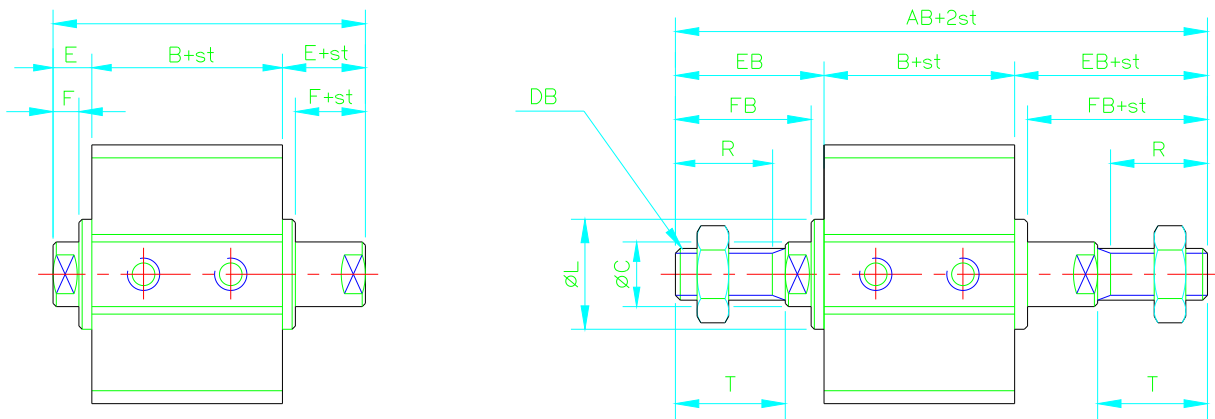
Type \ Storke	5	10	15	20	25	30	35	40	50	60	75	100	125
JG 12	31	37	43	50	56	62	69	-	-	-	-	-	-
JG 16	42	51	59	68	76	85	93	-	-	-	-	-	-
JG 20	48	60	73	86	99	111	124	137	162	187	-	-	-
JG 25	72	86	101	115	129	143	157	172	200	228	242	-	-
JG 32	129	146	164	181	199	217	234	252	287	322	375	463	-
JG 40	202	221	240	260	280	299	319	238	377	416	475	572	669
JG 50	-	356	390	423	457	490	-	557	624	691	792	960	1127
JG 63	-	493	544	595	647	698	749	800	903	1106	1160	1418	1675
JG 80	-	1125	-	1194	-	1262	-	1331	1400	1469	1537	1745	1918
JG 100	-	1975	-	2110	-	2245	-	2380	2515	2650	2853	3190	3528

External Dimensions:

- JG Double acting sensing type



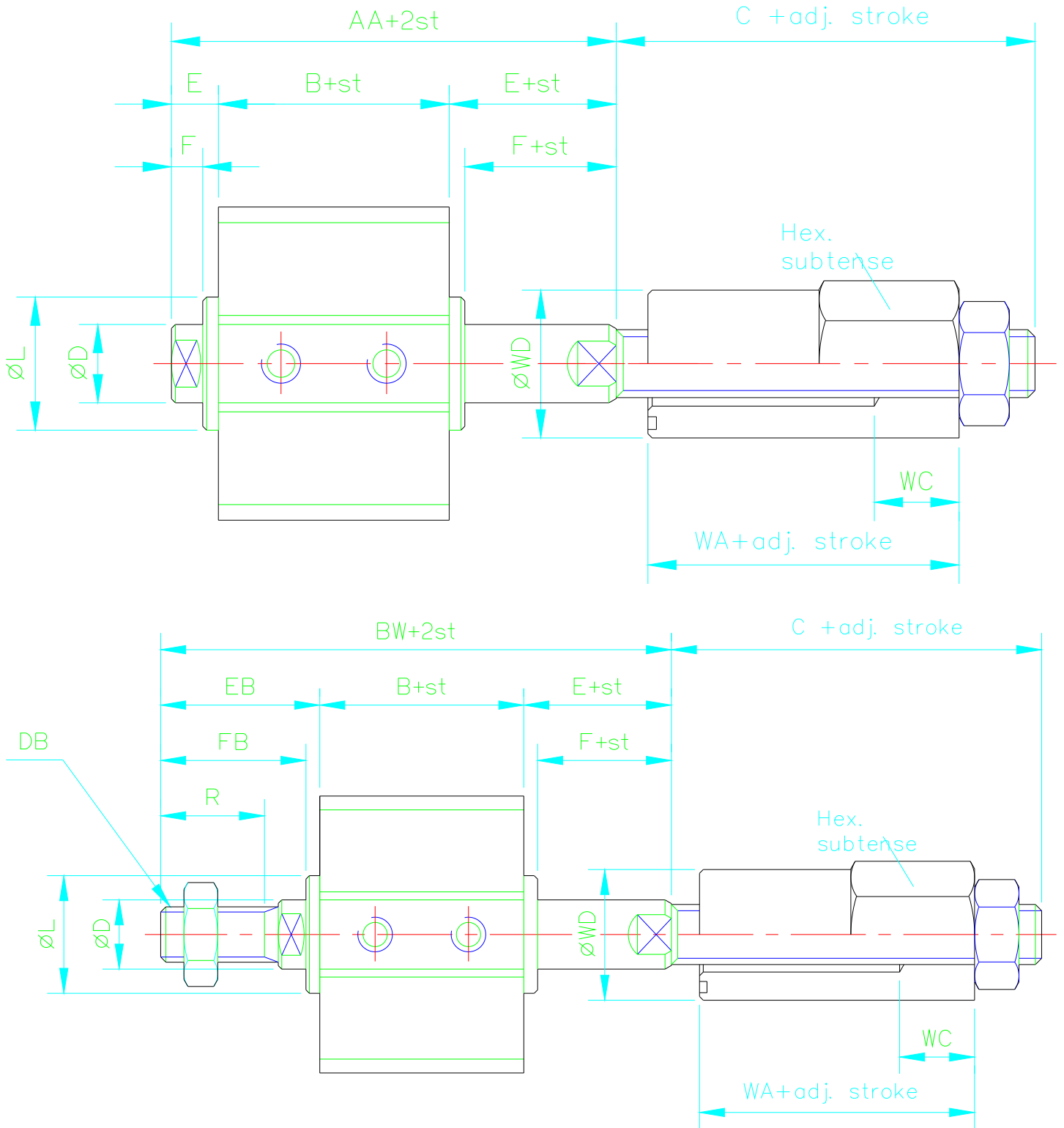
- JGW Double acting, double piston rod type



Item	Standard		Sensing		C	CW	D	E	F	G	H	I	J	K	L	N
	A	B	A	B												
ø20	26	20	36	30	8	6	M4 x 0.7P x 8dp	6	4	36	34	24	M5 x 0.8	10	15	7.5
ø25	27	21	37	31	10	8	M5 x 0.8P x 10dp	6	4	41	39	28	M5 x 0.8	10	17	8
ø32	32	25	42	35	12	10	M6 x 1.0P x 12dp	7	4	50	44	34	PT 1/8"	16	22	9
ø40	33	26	43	36	16	14	M8 x 1.25P x 12dp	7	4	58.5	52	40	PT 1/8"	16	28	10
ø50	37	28	47	38	20	17	M10 x 1.5P x 15dp	9	5	71.5	62	48	PT 1/4"	20	38	10
ø63	41	32	51	42	20	17	M10 x 1.5P x 15dp	9	5	84.5	75	60	PT 1/4"	20	40	12
ø80	52	41	62	51	25	22	M14 x 1.5P x 20dp	11	6	104	94	74	PT 3/8"	26	45	13
ø100			73	61	30	27	M18 x 1.5P x 20dp	12	7	124	114	90	PT 3/8"	26	55	17

Bore	MM	P	Q	R	T	Standard		Sensing		DB	EB	FB
						AA	AB	AA	AB			
ø20	ø4.2 Thru hole (ø6.5 both sides, M5x0.8 both sides)	4.5	14.5	13	15	32	62	42	72	M6 x 1.0	21	19
ø25	ø5.2 Thru hole (ø8 both sides, M6x1.0 both sides)	5.5	15.5	15	17	33	67	43	77	M8 x 1.25	23	21
ø32	ø5.2 Thru hole (ø8 both sides, M6x1.0 both sides)	5.5	17.5	15	18	39	75	49	85	M10 x 1.25	25	22
ø40	ø6.8 Thru hole (ø10 both sides, M8x1.25 both sides)	7.5	22.5	25	28	40	96	50	106	M14 x 1.5	35	32
ø50	ø6.8 Thru hole (ø11 both sides, M8x1.25 both sides)	8.5	23.5	25	28	46	102	56	112	M18 x 1.5	37	33
ø63	ø6.8 Thru hole (ø11 both sides, M8x1.25 both sides)	8.5	25.5	25	28	50	106	60	116	M18 x 1.5	37	33
ø80	ø10.3 Thru hole (ø14 both sides, M12x1.75 both sides)	10.5	27.5	30	33	63	129	73	139	M22 x 1.5	44	39
ø100	ø11.3 Thru hole (ø17.5 both sides, M14x2.0 both sides)	13	27	35	38	75	151	85	161	M26 x 1.5	50	45

External Dimensions:



Item	Standard			Sensing			C	øD	E	F	EB	FB	øL	R	T	DB	WA	WC	øWD
	B	A	BW	B	AA	BW													
ø20	20	32	47	30	42	57	15	8	6	4	21	19	15	13	15	M6 x 1.0	12	6	15
ø25	21	33	50	31	43	60	17	10	6	4	23	21	17	15	17	M8 x 1.25	12	10	22
ø32	25	39	57	35	49	67	18	12	7	4	25	22	22	15	18	M10 x 1.25	12	10	22
ø40	26	40	68	36	50	78	28	16	7	4	35	32	28	25	28	M14 x 1.5	22	15	31
ø50	28	46	74	38	56	84	28	20	9	5	37	33	38	25	28	M18 x 1.5	23	15	35
ø63	32	50	78	42	60	88	28	20	9	5	37	33	40	25	28	M18 x 1.5	23	15	35
ø80	41	63	96	51	73	106	33	25	11	6	44	39	45	30	33	M22 x 1.5	29	20	40
ø100	-	-	-	61	85	123	38	30	12	7	50	45	55	35	38	M26 x 1.5	35	20	55