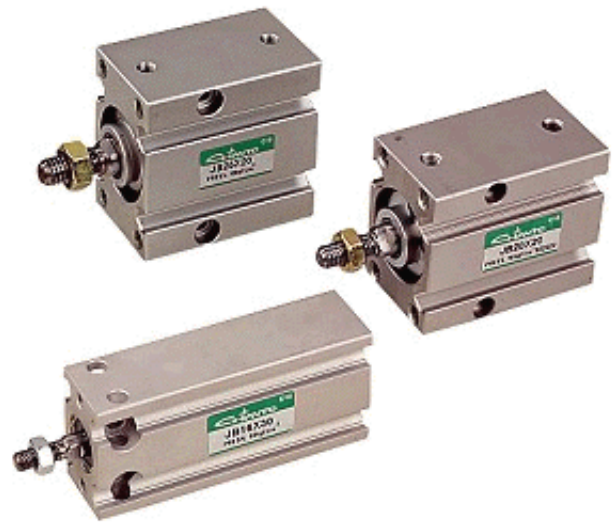


Features:






- Rectangular housing, compact, light weight.
- Five mounting surfaces with tapped holes are available, requires no mounting accessories.
- Magnetic piston is standard on all models, easy to detect and control.
- Reed switches can be embedded in housing groove, easy to mount and adjust.
- Piston rod end is equipped with male thread. Female thread types are available.



Specifications:

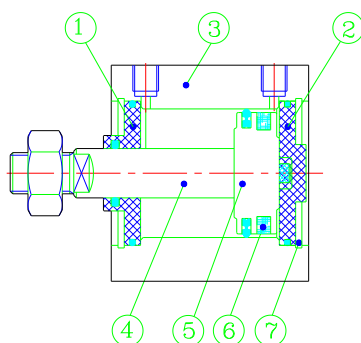
| | |
|---------------------------|------------------------------|
| Action | Double acting |
| Series | JB |
| Bore | ø10, ø16, ø20, ø25, ø32, ø40 |
| Operating fluid | Compressed air |
| Operating pressure | 0.7~9.9kgf/cm ² |
| Proof pressure | 10.5kgf/cm ² |
| Speed range | 50~300mm/sec |
| Temperature range | -10°C~+70°C |
| Cushion | None |
| Lubrication | Non-lubricating |

How to order:

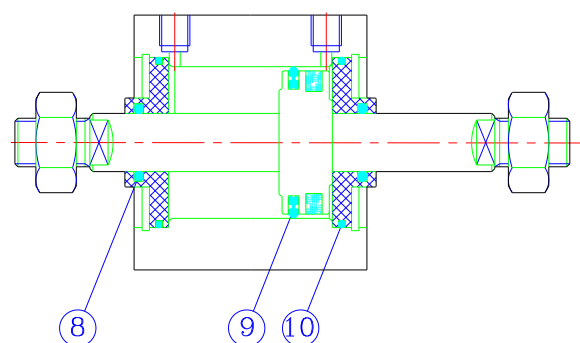
| | | | | |
|---|--|--|---|--|
| JB | 20 × 50 | A | TC | 2 |
| Series | Bore | Stroke | Rod end with female thread | Reed switch |
| JB Standard type  | ø10 ø16 ø20 ø25 ø32 ø40 | 5~30mm 5~40mm 10~100mm 10~100mm 10~100mm 10~100mm |  | TC-22:(JB16~40) DC/AC 4~220V  TD-11:(JB10) DC/AC 4~110V  |
| JBW Double rod  | | | | Switch quantity |
| | | | | 1 : 1 PC 2 : 2 PCS |

Internal Construction:

• JB Double-acting type



• JBW Double piston rod type



Parts List:

| No. | Description | Material | Qty |
|-----|----------------|---------------------------|-----|
| ① | Front cover | Anodized aluminium alloy | 1 |
| ② | Rear end cover | Anodized aluminium alloy | 1 |
| ③ | Barrel | Anodized aluminium alloy | 1 |
| ④ | Piston rod | Hard chromium plated | 1 |
| ⑤ | Piston | Aluminium alloy | 1 |
| ⑥ | Magnet | Resinous permanent magnet | 1 |
| ⑦ | Snap ring | SK5M | 2 |

Seals List:

| Bore | ⑧ Piston rod seal | ⑨ Piston seal | ⑩ End cover seal |
|------|----------------------|------------------|---------------------|
| ø10 | EM0407 | DYP10 | SM8 |
| ø16 | EM0609 | APA16 | SM14 |
| ø20 | MYA8 | APA20 | SM20 |
| ø25 | MYA10 | APA25 | SM22 |
| ø32 | MAY12 | APA32 | SM28 |
| ø40 | MYA16 | APA40 | SM36 |

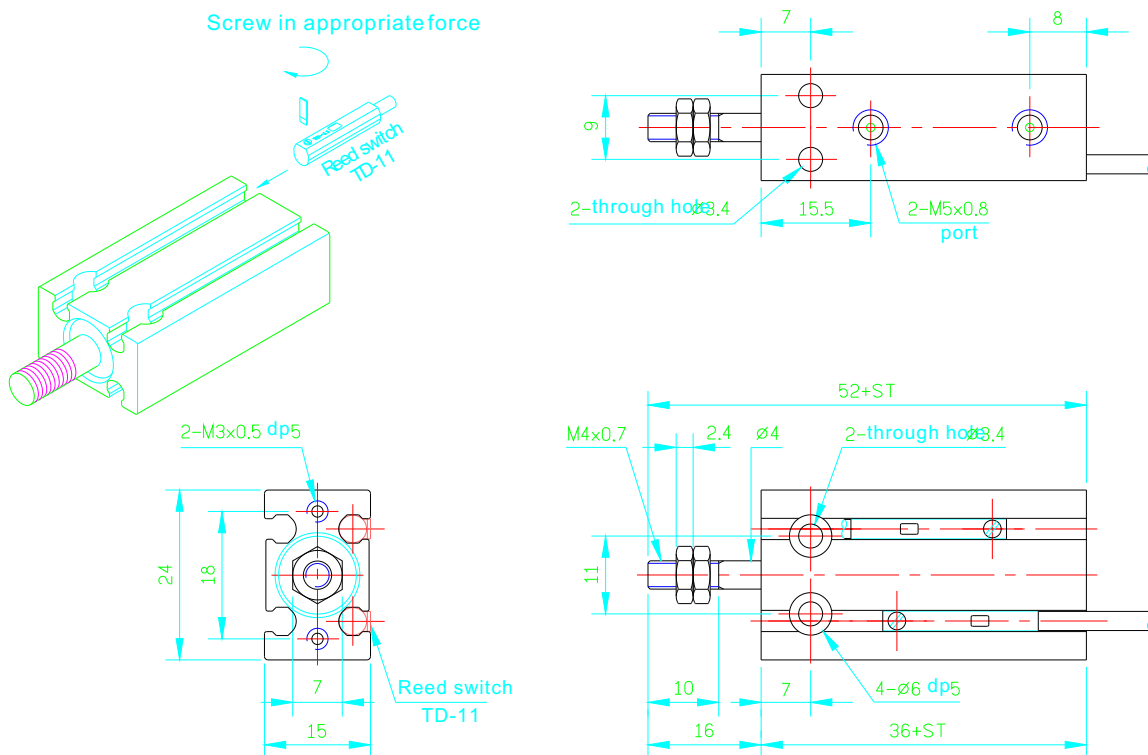
Weight table:

Unit: g

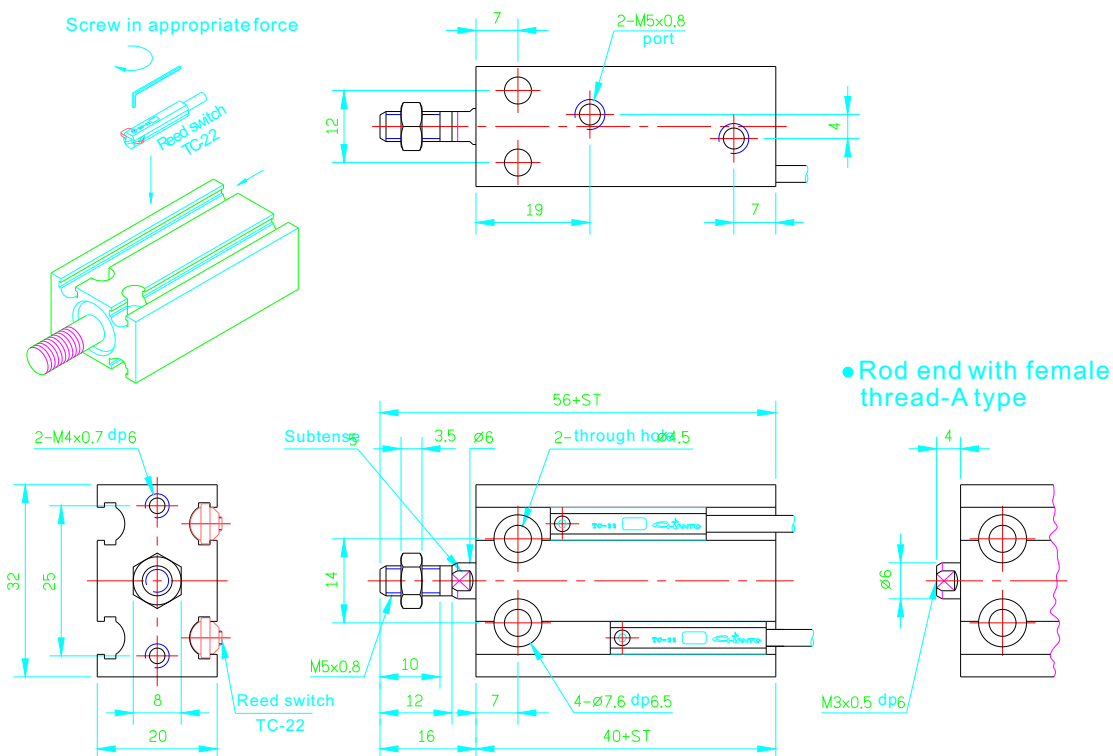
| type \ stroke | 5 | 10 | 15 | 20 | 25 | 30 | 40 | 50 | 60 | 75 | 100 |
|---------------|----|-----|----|-----|----|-----|-----|-----|-----|-----|-----|
| JB 10 | 47 | 51 | 55 | 59 | 63 | 67 | - | - | - | - | - |
| JB 16 | 66 | 72 | 78 | 84 | 90 | 96 | | | - | - | - |
| JB 20 | - | 112 | - | 138 | - | 163 | 189 | 214 | 240 | 278 | 342 |
| JB 25 | - | 156 | - | 188 | - | 219 | 251 | 282 | 314 | 361 | 440 |
| JB 32 | - | 255 | - | 303 | - | 351 | 399 | 447 | 495 | 567 | 687 |
| JB 40 | - | 381 | - | 446 | - | 511 | 576 | 641 | 706 | 804 | 966 |

External Dimensions:

• JB10



• JB16



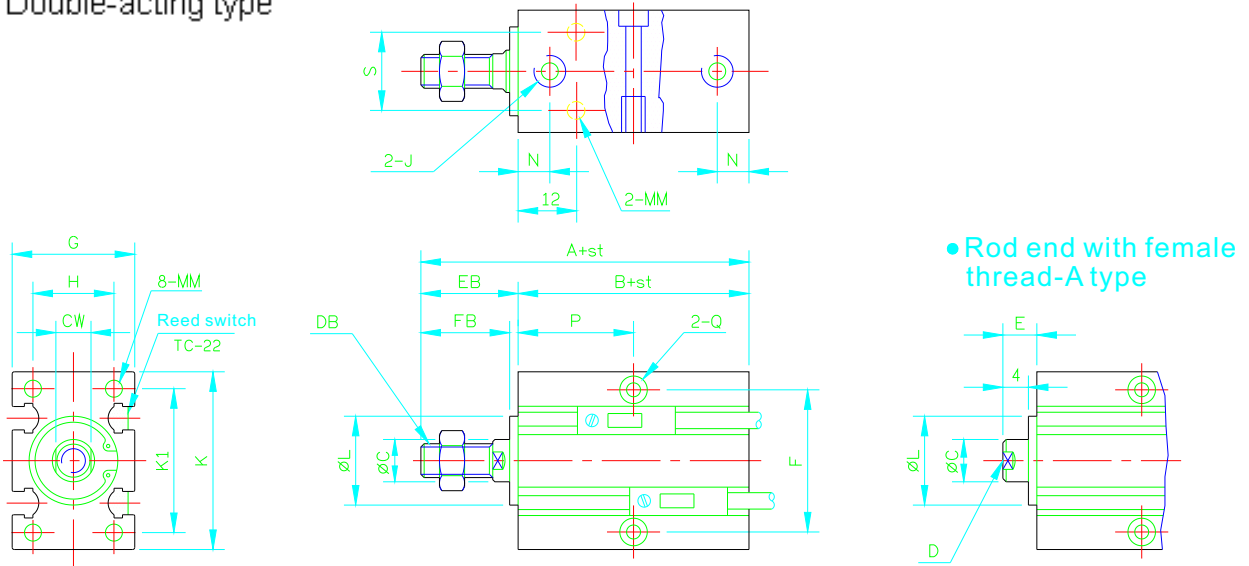
Standard stroke:

| Bore \ Stroke | 5 | 10 | 15 | 20 | 25 | 30 | 40 | 50 | 60 | 75 | 100 |
|---------------|---|----|----|----|----|----|----|----|----|----|-----|
| ø10 | ● | ● | ● | ● | ● | ● | | | | | |
| ø16 | ● | ● | ● | ● | ● | ● | ● | ● | | | |
| ø20 | ○ | ● | ○ | ● | ○ | ● | ● | ● | ● | ● | ● |
| ø25 | ○ | ● | ○ | ● | ○ | ● | ● | ● | ● | ● | ● |
| ø32 | ○ | ● | ○ | ● | ○ | ● | ● | ● | ● | ● | ● |
| ø40 | ○ | ● | ○ | ● | ● | ● | ● | ● | ● | ● | ● |

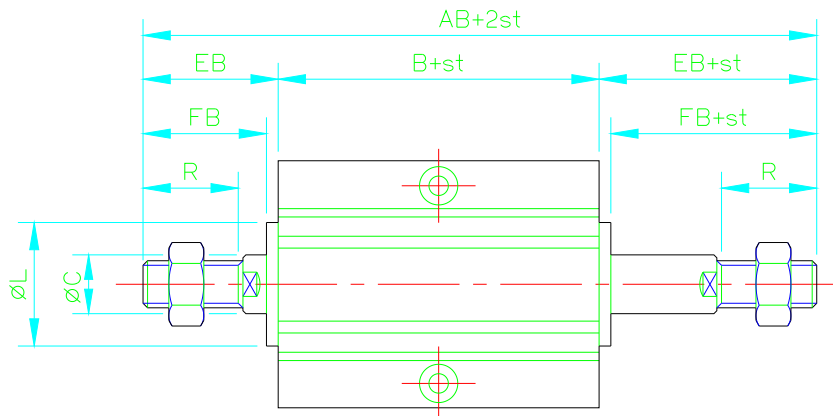
Note: The housing's length of "●" is the same length as "○"

External Dimensions:

- JB Double-acting type



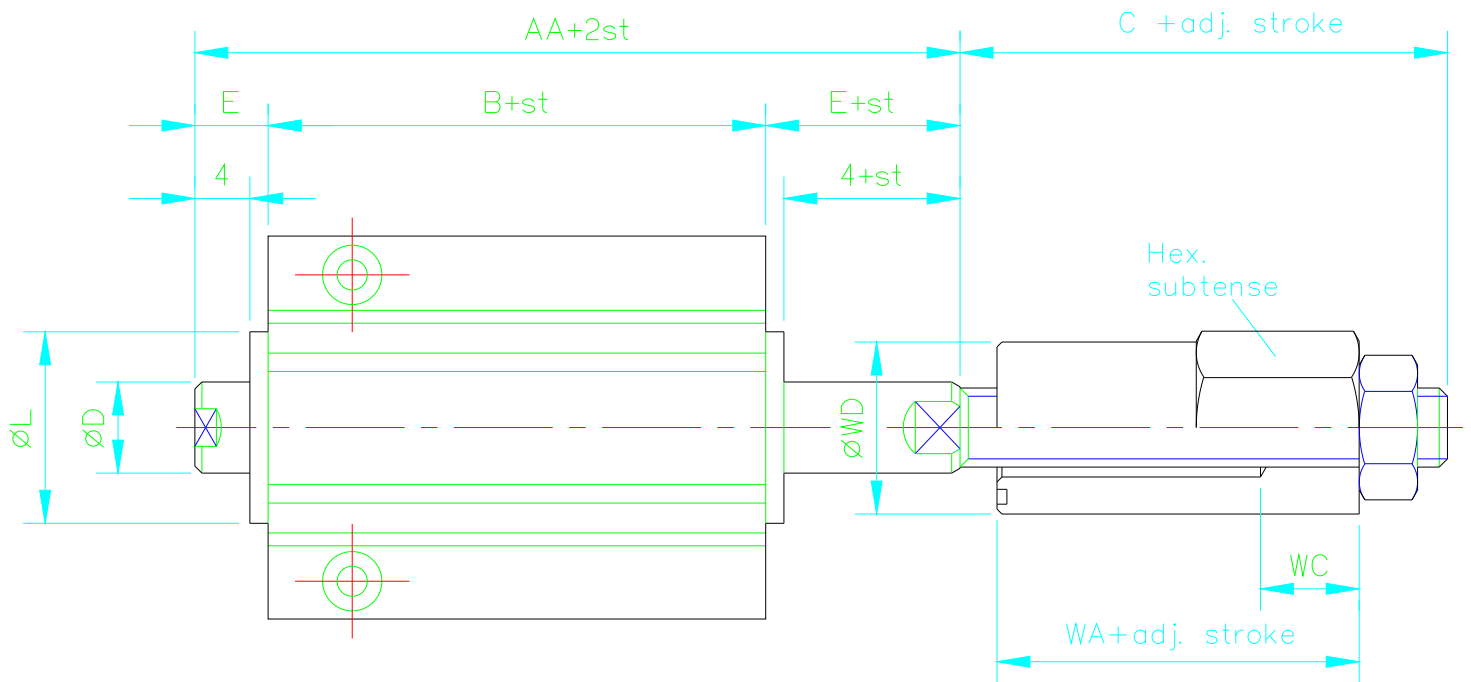
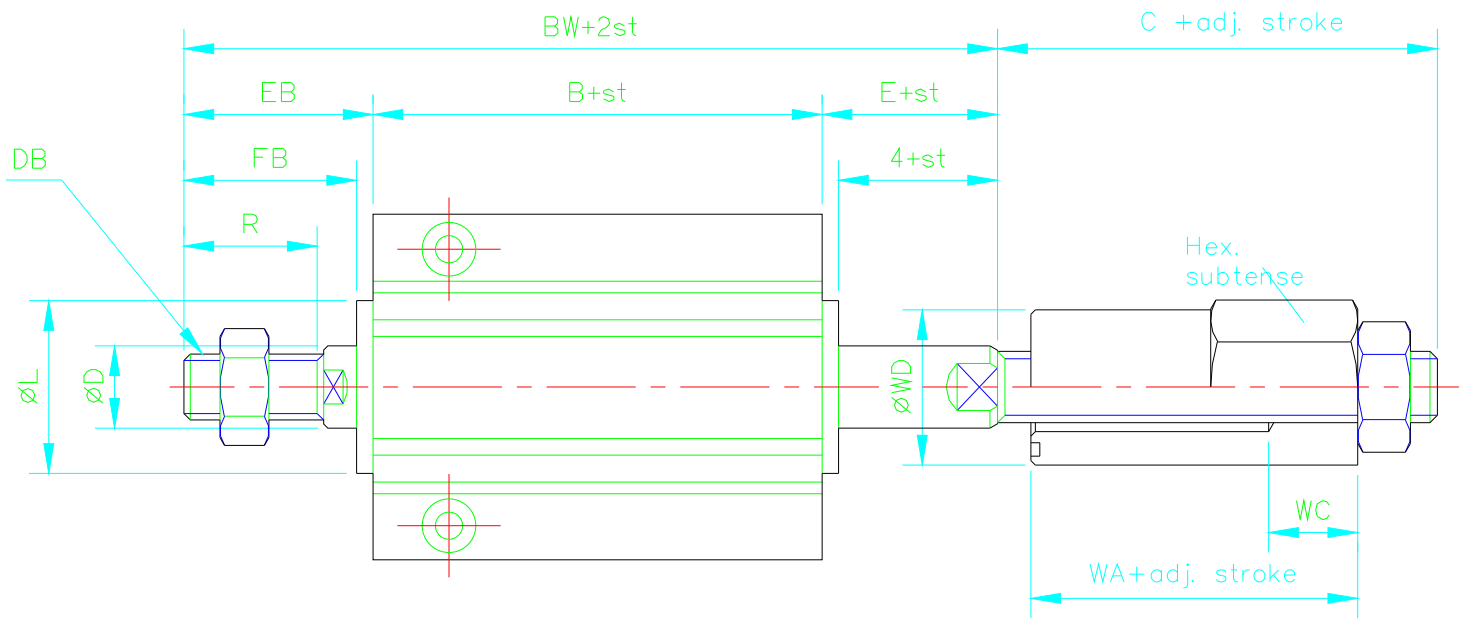
- JBW Double piston rod type



| Bore | A | B | AB | DB | EB | FB | C | CW | D | E | F | G | H | K1 |
|------|----|----|-----|------------|----|----|----|----|-------------------|---|----|----|----|----|
| ø20 | 51 | 30 | 72 | M6 x 1.0 | 21 | 19 | 8 | 6 | M4 x 0.7 x 8 dp | 6 | 35 | 30 | 19 | 35 |
| ø25 | 54 | 31 | 77 | M8 x 1.25 | 23 | 21 | 10 | 8 | M5 x 0.8 x 10 dp | 6 | 41 | 32 | 22 | 41 |
| ø32 | 60 | 35 | 85 | M10 x 1.25 | 25 | 22 | 12 | 10 | M6 x 1.0 x 12 dp | 7 | 50 | 38 | 26 | 48 |
| ø40 | 71 | 36 | 106 | M14 x 1.5 | 35 | 32 | 16 | 14 | M8 x 1.25 x 12 dp | 7 | 52 | 48 | 36 | 52 |

| Bore | J | K | L | N | MM | P | Q | R | S | T |
|------|----------|----|----|-----|------------------|----|---|----|----|----|
| ø20 | M5 X 0.8 | 42 | 15 | 7.5 | M5 x 0.8 x 8 dp | 18 | ø3.4 thru hole, ø6 C'bore, 3.5 dp (M4 x 0.7 x 10 dp counter side) | 13 | 12 | 15 |
| ø25 | M5 X 0.8 | 50 | 17 | 8 | M5 x 0.8 x 8 dp | 18 | ø4.2 thru hole, ø7.6 C'bore, 4.5 dp (M5 x 0.8 x 10 dp counter side) | 15 | 15 | 17 |
| ø32 | PT 1/8" | 62 | 22 | 9 | M6 x 1.0 x 10 dp | 18 | ø5.2 thru hole, ø10 C'bore, 5.5 dp (M4 x 1.0 x 12 dp counter side) | 15 | 16 | 18 |
| ø40 | PT 1/8" | 65 | 28 | 10 | M6 x 1.0 x 10 dp | 22 | ø6.8 thru hole, ø11 C'bore, 3.5 dp (M8 x 1.25 x 12 dp counter side) | 25 | 30 | 28 |

External Dimensions:



| type | Action | | | C | øD | E | EB | FB | øL | R | T | DB | WA | WC | øWD |
|------|--------|----|----|----|----|---|----|----|----|----|----|------------|----|----|-----|
| | B | AA | BW | | | | | | | | | | | | |
| ø20 | 30 | 42 | 57 | 15 | 8 | 6 | 21 | 19 | 15 | 13 | 15 | M6 x 1.0 | 12 | 6 | 15 |
| ø25 | 31 | 43 | 60 | 17 | 10 | 6 | 23 | 21 | 17 | 15 | 17 | M8 x 1.25 | 12 | 10 | 22 |
| ø32 | 35 | 49 | 67 | 18 | 12 | 7 | 25 | 22 | 22 | 15 | 18 | M10 x 1.25 | 12 | 10 | 22 |
| ø42 | 36 | 50 | 78 | 28 | 16 | 7 | 35 | 32 | 28 | 25 | 28 | M14 x 1.5 | 22 | 15 | 31 |