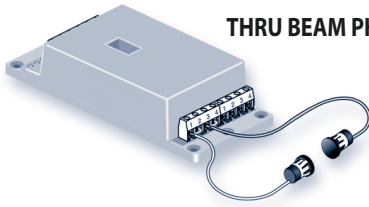


Thru Beam Photoelectric Sensors



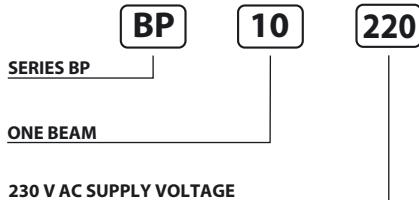
THRU BEAM PHOTOELECTRIC SENSORS FOR AUTOMATIC DOORS RELAY OUTPUT

- Thru beam door sensors with separate amplifier
- 230 V AC input
- 5 Hz frequency/response
- 8 A relay SPDT
- Sensitivity adjustment
- 6 m long integral cables

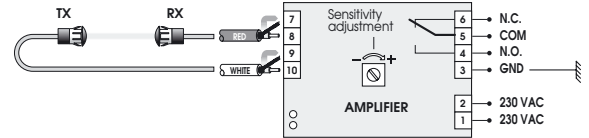
BP Series



Identification code



Wiring diagrams

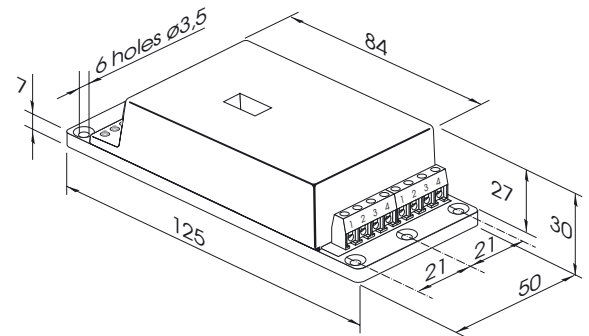


Note: Each package includes a pair of projectors.

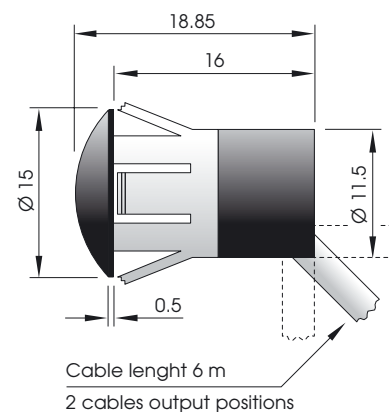
AVAILABLE	ONE BEAM SELECTION
NOMINAL SWITCHING DISTANCE (Sn)	10 m
TOLERANCE	+10/-10 %Sn
EMISSION	Infrared (875 nm)
NOMINAL VOLTAGE	230 V AC (-15 / +10%)
FREQUENCY	50 ± 60 Hz
OUTPUT	Relay
N° OF OPERATIONS	Relay (5x10 ⁷ mec. op. -1x10 ⁵ elect. op.)
MAX OUTPUT CURRENT	8A 250 VAC
ABSORPTION	17 mA
YELLOW LED	Output and activated thru beam indicator
GREEN LED	Supply indicator
SENSITIVITY ADJUSTMENT	Present
SWITCHING FREQUENCY	5 Hz
RESPONSE TIME	200 mS
START UP DELAY	≤ 300 mS
TEMPERATURE LIMITS	-20 ÷ +60°C
LIGHT IMMUNITY	5000 Lux ⁽¹⁾
PROTECTION DEGREE Amplifiers	IP 50
PROTECTION DEGREE Projectors	IP 65
CONNECTIONS	with connectors
HOUSING MATERIAL Amplifiers	ABS
HOUSING MATERIAL Projectors	Body - Lenses: methacrylate
WEIGHT (Approximately)	350 g

⁽¹⁾ Determined with halogen tungsten lamp 3000 °K.

Amplifier dimensions (mm)



Projector dimensions (mm)



Important warning

The thru beam photoelectric sensor can be used as a sensor to detect the presence of an obstacle if the sensing beam gets interrupted.

In no case this device can substituted the obligatory safety devices that must be applied on all dangerous equipments.

Characteristics curve

