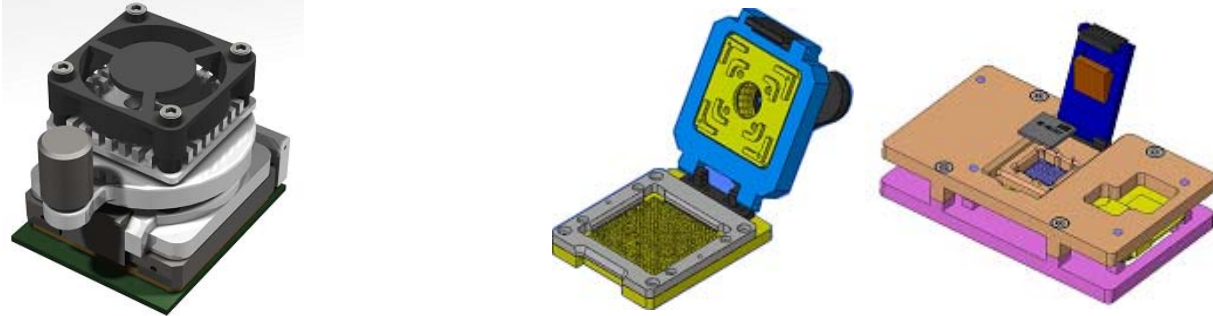
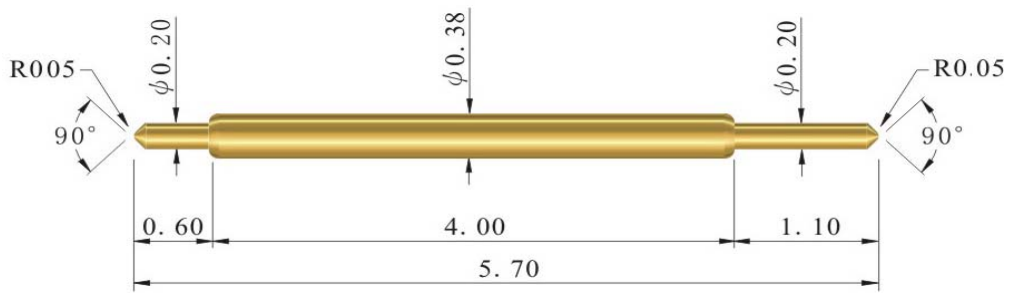


IC TEST SOCKET

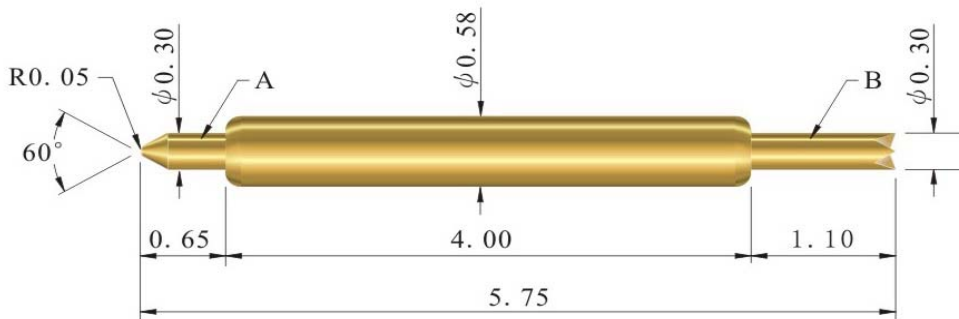
BGA, LGA, QFN, CSP(micro BGA); 1.27~0.50mm



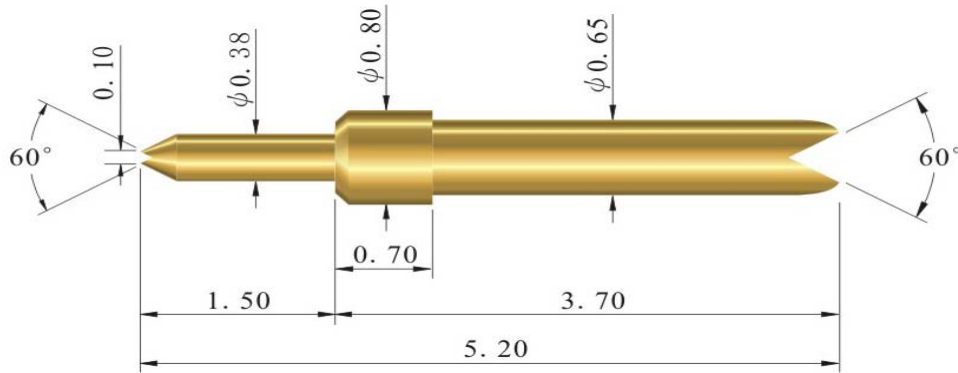
DE1-038BB40-01



DE1-058BF40-01



SSP-CCP8010



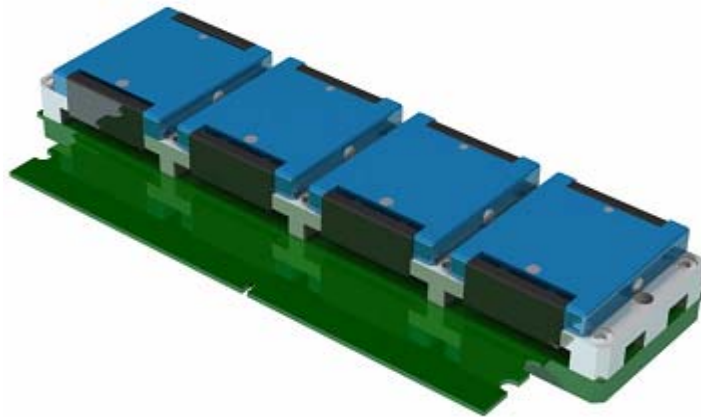
Socket Material

- .Torlon 4203, PEEK
- .Dielectric Strength: 24k Volts/mm
- .Volume Resistivity: 10^{17} ohm-cm
- .Dielectric Constant: 3.9 @ 10^6 Hz
- .Continuous Service Temperature (max.) 250°C

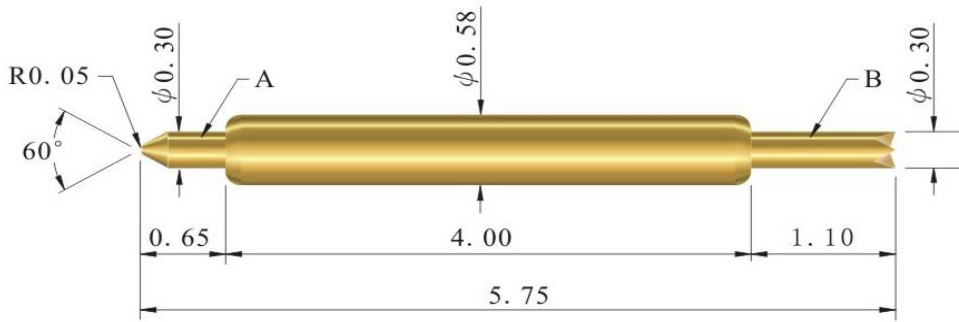
Pogo Pin Material

- .Plunger: BeCu / Au Plated
- .Barrel: PhBz / Au Plated
- .Spring: SWP / Au Plated
- .Life Time: >100,000 insertions
- .Probe Resistance: <50mohm

Memory IC Test Module



DE1-058BF40-01



DDR II –667MHz Memory IC Test Module

Socket Material

- .PEEK
- .Dielectric Strength: 24k Volts/mm
- .Volume Resistivity: 10^{15} ohm-cm
- .Dielectric Constant: 3.2 @ 10^6 Hz
- .Continuous Service Temperature (max.) 250°C

Pogo Pin

Material

- .Plunger: BeCu / Au Plated
- .Barrel: PhBz / Au Plated
- .Spring: SWP / Au Plated

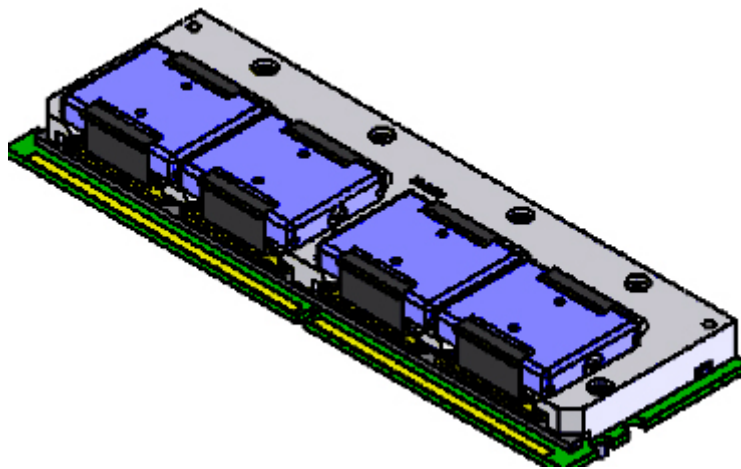
Mechanical

- .Full Stroke: 1.10mm
- .Spring Force: 28 g @ 0.80 mm Stroke
- .Life Time: >100,000 insertions

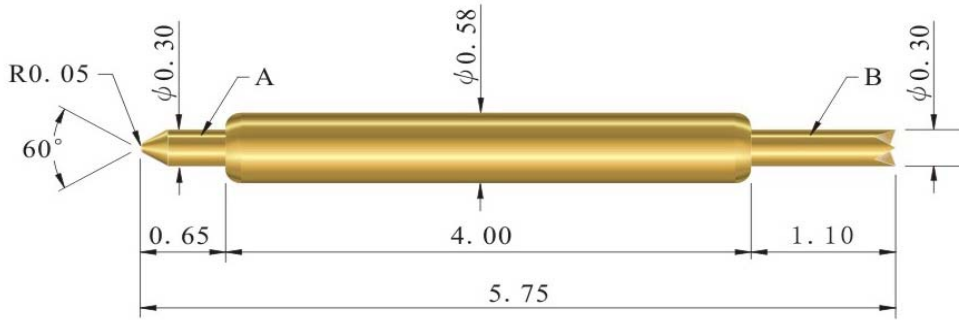
Electrical

- .Current Rating: 0.5A Continuous
- .Probe Resistance: <50mohm

Memory IC Test Module



DE1-058BF40-01



DDR II –1000MHz Memory IC Test Module

Socket Material

- .PEEK
- .Dielectric Strength: 24k Volts/mm
- .Volume Resistivity: 10^{15} ohm-cm
- .Dielectric Constant: 3.2 @ 10^6 Hz
- .Continuous Service Temperature (max.) 250°C

Pogo Pin

Material

- .Plunger: BeCu / Au Plated
- .Barrel: PhBz / Au Plated
- .Spring: SWP / Au Plated

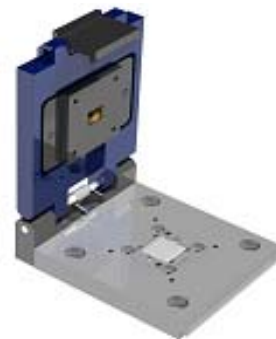
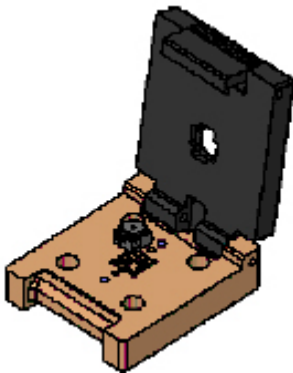
Mechanical

- .Full Stroke: 1.10 mm
- .Spring Force: 28 g @ 0.80 mm Stroke
- .Life Time: >100,000 insertions

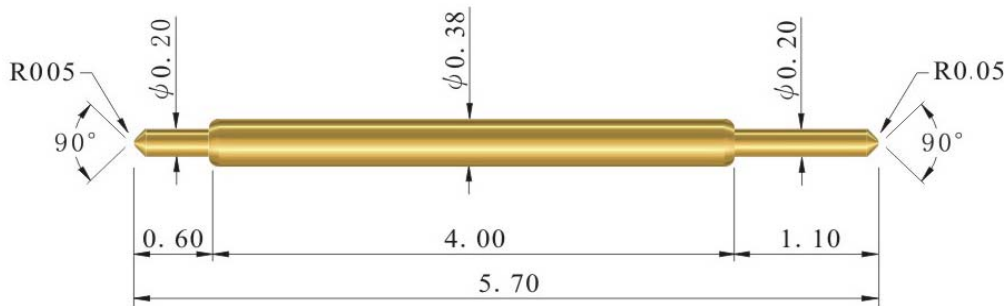
Electrical

- .Current Rating: 0.5A Continuous
- .Probe Resistance: <50mohm

CMOS Sensor Test Socket



DE1-038BB40-01



CMOS Sensor test Socket

Socket Material

- .PEEK
- .Dielectric Strength: 24k Volts/mm
- .Volume Resistivity: 10^{15} ohm-cm
- .Dielectric Constant: 3.2 @ 10^6 Hz
- .Continuous Service Temperature (max.) 250°C

Pogo Pin

Material

- .Plunger: BeCu / Au Plated
- .Barrel: Brass / Au Plated
- .Spring: SWP / Au Plated

Mechanical

- .Full Stroke: 0.80mm
- .Spring Force: 25g @ 0.65mm Stroke
- .Life Time: >100,000 insertions

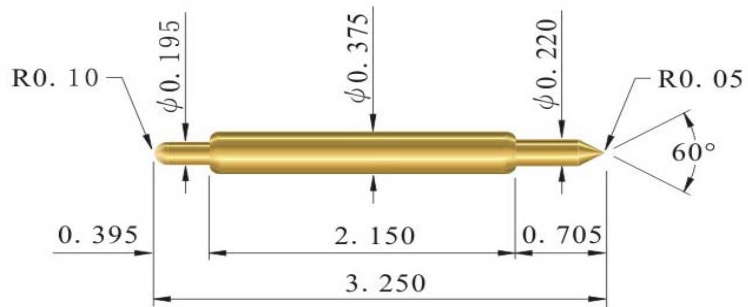
Electrical

- .Current Rating: 0.5A Continuous
- .Probe Resistance: <50mohm

QFN Test Socket



SSP-CCP7026



QFN Test Socket

Socket Material

- .Torlon 4203
- .Dielectric Strength: 24k Volts/mm
- .Volume Resistivity: 10^{17} ohm-cm
- .Dielectric Constant: 3.9 @ 10^6 Hz
- .Continuous Service Temperature (max.) 250°C

Pogo Pin

Material

- .Plunger A: SK4 / Au Plated
- .Barrel: Brass / Au Plated
- .Spring: SWP / Au Plated
- .Plunger B: BeCu / Au Plated

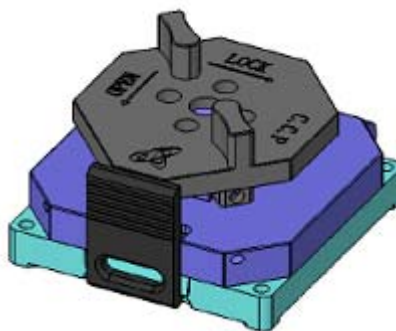
Mechanical

- .Full Stroke: 1.10mm
- .Spring Force: 28g @ 0.80mm Stroke
- .Life Time: >100,000 insertions

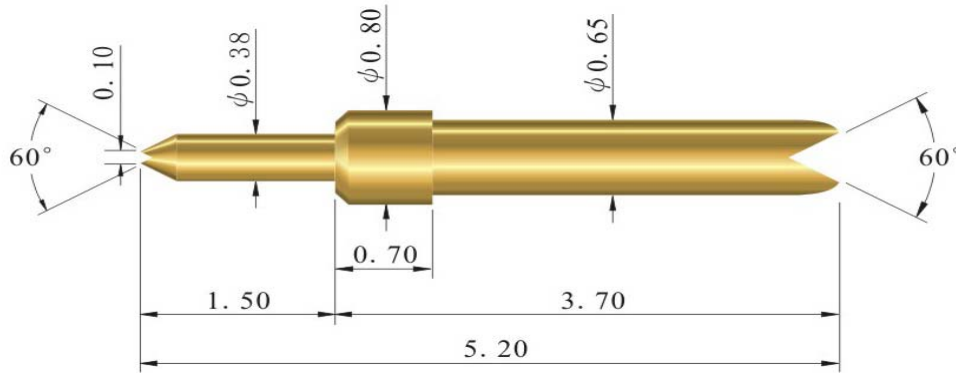
Electrical

- .Current Rating: 0.5A Continuous
- .Probe Resistance: <50mohm

IC TEST SOCKET



SSP-CCP8010



PBGA IC test Socket

Socket Material

- .Torlon 4203
- .Dielectric Strength: 24k Volts/mm
- .Volume Resistivity: 10^{17} ohm-cm
- .Dielectric Constant: 3.9 @ 10⁶Hz
- .Continuous Service Temperature (max.) 250°C

Pogo Pin

Material

- .Plunger: BeCu / Au Plated
- .Barrel: PBT / Au Plated
- .Spring: SWP / Au Plated

Mechanical

- .Full Stroke: 1.30mm
- .Spring Force: 30 g @ 0.80mm Stroke
- .Life Time: >100,000 insertions

Electrical

- .Current Rating: 0.5A Continuous
- .Probe Resistance: <50mohm