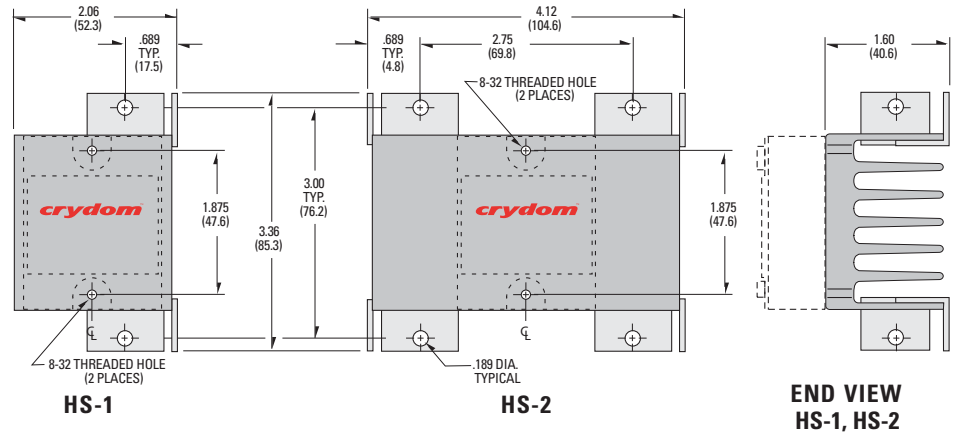
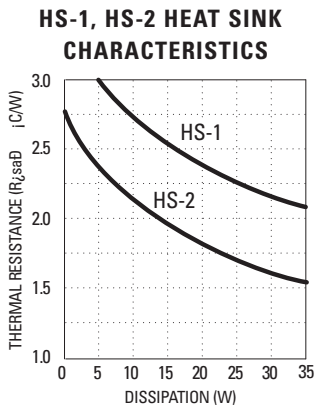


A major consideration in the use of Solid-State Relays is the thermal design. It is essential that the user provide adequate heat sinking for the application.

Crydom heat sinks are designed for excellent thermal management when used with Crydom's Series 1 type package of SSR's and Controllers.

Correct installation is important to assure heat is dissipated correctly. The Crydom SSR should be firmly (20 in-lbs.) mounted on a clean, smooth heat sink surface using thermally conductive grease.

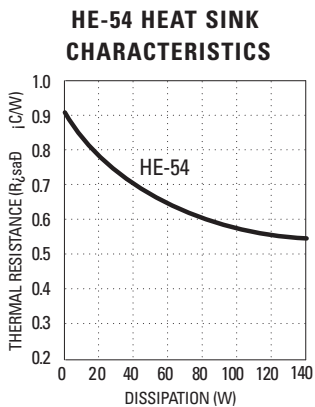
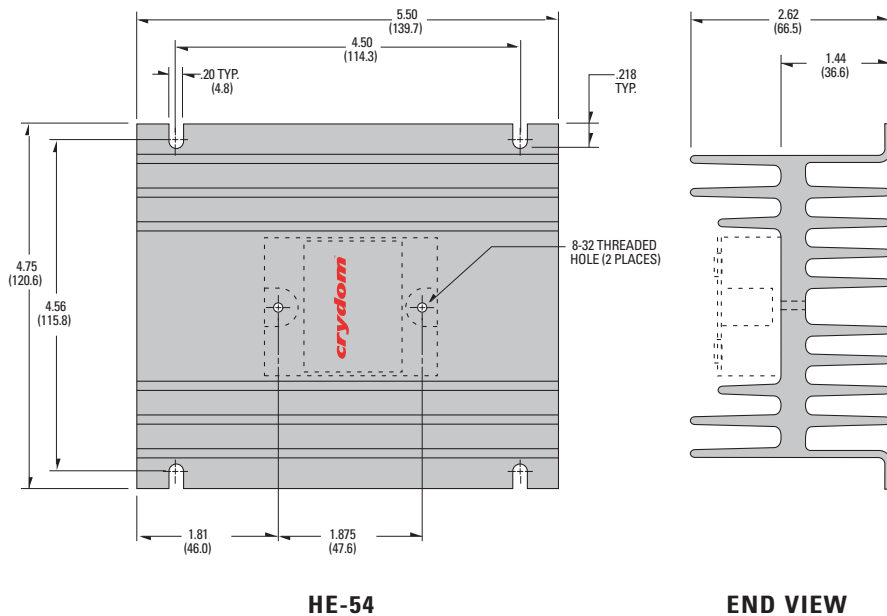


©2007 CRYDOM CORP, Specifications subject to change without notice.

COMPATIBLE CRYDOM PRODUCTS:

- | | |
|-------------|-----------------|
| Series 1 | Series CS |
| Series CT | Series HA |
| Duals | Series HD |
| Quad | Series 1-DC |
| Series DC60 | Series CPV |
| Series SST | Series DSD, DLD |
| Series DLD | Series RPC |
| Series PCV | Series 53TP* |

*Requires HE-90 (see pg 2)



For recommended applications and more information contact:

USA: Sales Support (877) 502-5500 **Tech Support** (877) 702-7700 FAX (619) 710-8540

Crydom Inc., 2320 Paseo de las Americas, Ste. 201, San Diego, CA 92154

Email: sales@crydom.com **WEB SITE:** http://www.crydom.com

UK: +44 (0)1202 606030 • **FAX** +44 (0)1202 606035 Crydom SSR Ltd., Arena Business Centre, Holyrood Close, Poole, Dorset BH17 7FJ, Email: intsales@crydom.com.

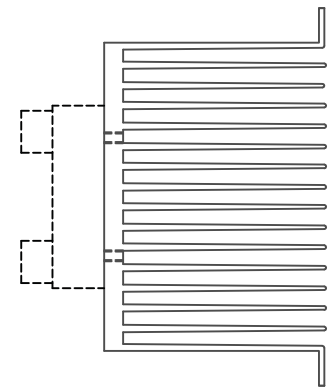
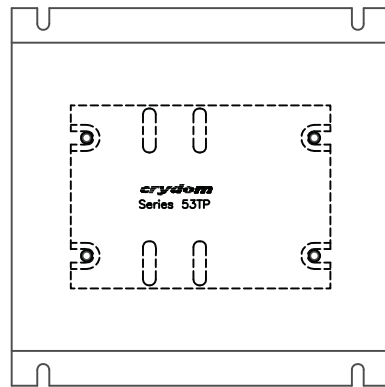
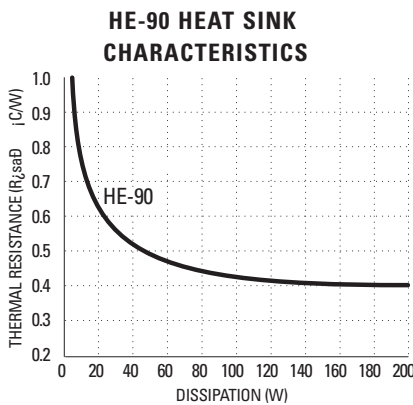
GERMANY: +49 (0)180 3000 506

MECHANICAL SPECIFICATIONS

Model Number		HS-1	HS-2	HE-54	HE-90
Weight: (typical)	[ounces]	3.0	5.0	10.0	24.0
Material	Aluminum				
Finish	Chromate Conversion Coating (RoHS Compliant)				
Mounting Holes	8-32 threaded				

HE-90

Shown with Series 53TP Mounted

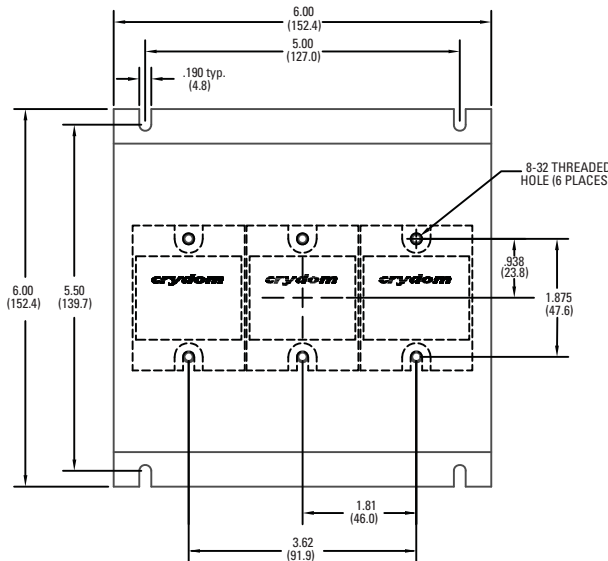


The HE-90 heat sink offers excellent thermal management for up to three Series 1 type package SSRs or a single three phase SSR (Model 53TP). All mounting holes are predrilled & tapped and are user configurable depending on the specific application.

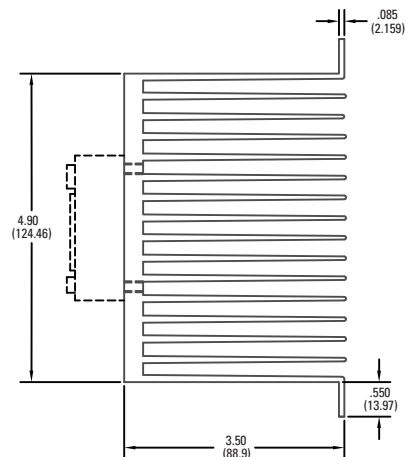
END VIEW

HE-90

Shown with three Series 1 type SSRs



END VIEW



© 2007 CRYDOM Inc., Specifications subject to change without notice.

ANNEX – ENVIRONMENTAL INFORMATION:

The environmental information disclosed in this annex including the EIP Pollution logo are in compliance with People's Republic of China Electronic Industry Standard SJ/T11364 – 2006, Marking for Control of Pollution Caused by Electronic Information Products.

Part Name	Toxic or hazardous Substance and Elements					
	Lead (Pb)	Mercury (Hg)	Cadmium (Cd)	Hexavalent Chromium (Cr (VI))	Polybrominated biphenyls (PBB)	Polybrominated diphenyl ethers (PBDE)
Semiconductor die	X	O	O	O	O	O
Solder	X	O	O	O	O	O

附件 - 环保信息:

此附件所标示的包括电子信息产品污染图标的环保信息符合中华人民共和国电子行业标准 **SJ/T11364 - 2006**, 电子信息产品污染控制标识要求

部件名称	有毒有害物质或元素					
	铅 (Pb)	汞 (Hg)	镉 (Cd)	六价铬 (Cr (VI))	多溴联苯 (PBB)	多溴二苯醚 (PBDE)
半导体芯片	X	O	O	O	O	O
焊接点	X	O	O	O	O	O

