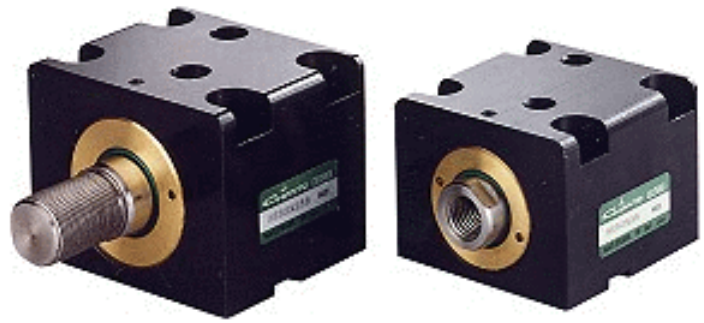


## Features:

- Space saving design, offering complete solutions for the needs of holding, clamping and short-stroke applications.
- Up to standard specifications, good interchangeability.
- Mounting directly to equipment, saving cost, more conveniently.



Bore \ Stroke	5	10	15	20	25	30	35	40	45	50
ø32	○	○	○	○	○	○	-	-	-	-
ø40	○	○	○	○	○	○	○	○	-	-
ø50	○	○	○	○	○	○	○	○	○	○
ø63	○	○	○	○	○	○	○	○	○	○

## Specifications:

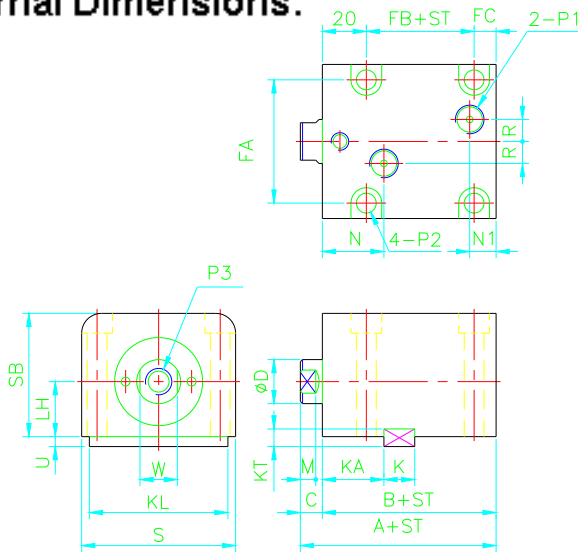
	Standard	Double rod end
Series	HE	HEW
Bore	ø32, ø40, ø50, ø63,	
Operating fluid	Petroleum based oil	
Operating pressure	3-70kgf/cm <sup>2</sup>	
Proof pressure	210kgf/cm <sup>2</sup>	
Speed range	8-100 mm/sec	
Temperature range	-10°C~+70°C	

## How to Order:

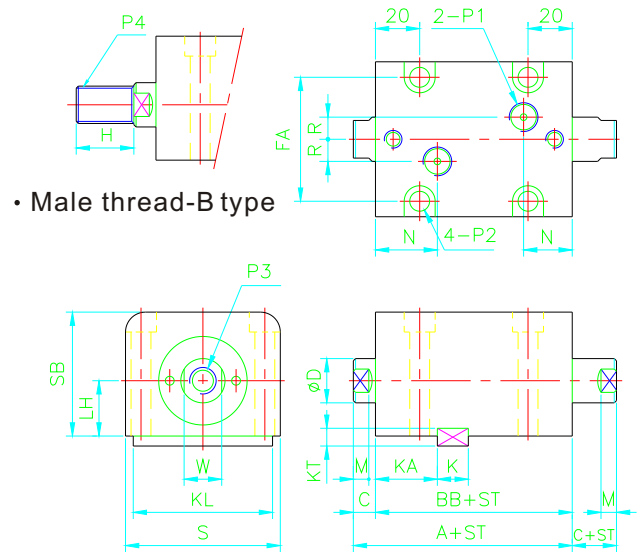
HE	40	x	50	B
①	②		③	④

①	Series: HE: Standard HEW: Double rod type
②	Bore (mm)
③	Stroke (mm)
④	No code: Standard B: Piston rod male thread

## External Dimensions:



• HE Standard type



• HEW Double piston rod end

Bore	A	B	BB	C	D	FA	FB	FC	H	M	N	M1	P1	P2	P3	P4	R	W	S	SB	LH	K	KA	KT	KL	U	AA
32	64	54	69	10	20	56	24	10	25	7	28	12	1/4	ø9 thru hole, ø14 c'bore x9 dp	M12x1.75	M16x1.5	10	17	70	56	25	12	28	8	63	4.5	7.9
40	65	55	70	10	25	62	23	12	30	7	28	12	1/4	ø11 thru hole, ø17.5 c'bore x11 dp	M16x2.0	M22x1.5	10	22	80	64	29	12	28	8	70	4.5	80
50	71	60	76	11	30	74	27	13	35	8	30	13	1/4	ø14 thru hole, ø20 c'bore x14 dp	M20x2.5	M26x1.5	10	27	94	74	34	14	29	9	80	5	87
63	80	67	85	13	35	90	32	15	40	10	32	14	3/8	ø16 thru hole, ø23 c'bore x16 dp	M24x3.0	M30x1.5	10	32	114	89	42	16	31	10	100	5.5	98