

Features:

Provide a simple source of power for low pressure hydraulic cylinders.

Suitable for slow, stable movement.

The tanks must be mounted vertically at the highest point of the circuit.

Fill oil into the tanks not over 80% of the full volume.

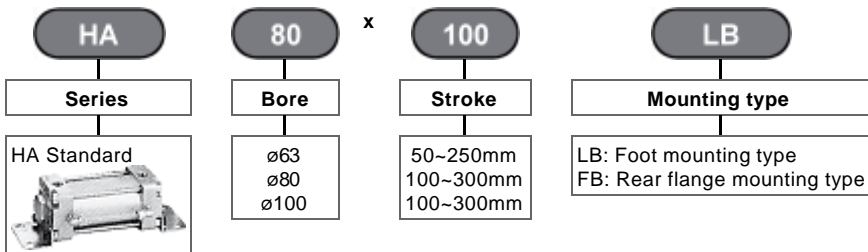
Flow controls are recommended to avoid excessive foaming in tanks.



Specifications:

Action	Air / Oil tank
Series	HA
Bore	ø63, ø80, ø100
Operating fluid	Petroleum based oil (ISO VG32 or equivalent)
Operating pressure	0.7-9.9 kgf/cm ²
Proof pressure	15 kgf/cm ²
Temperature range	-30°C+80°C

How to Order:

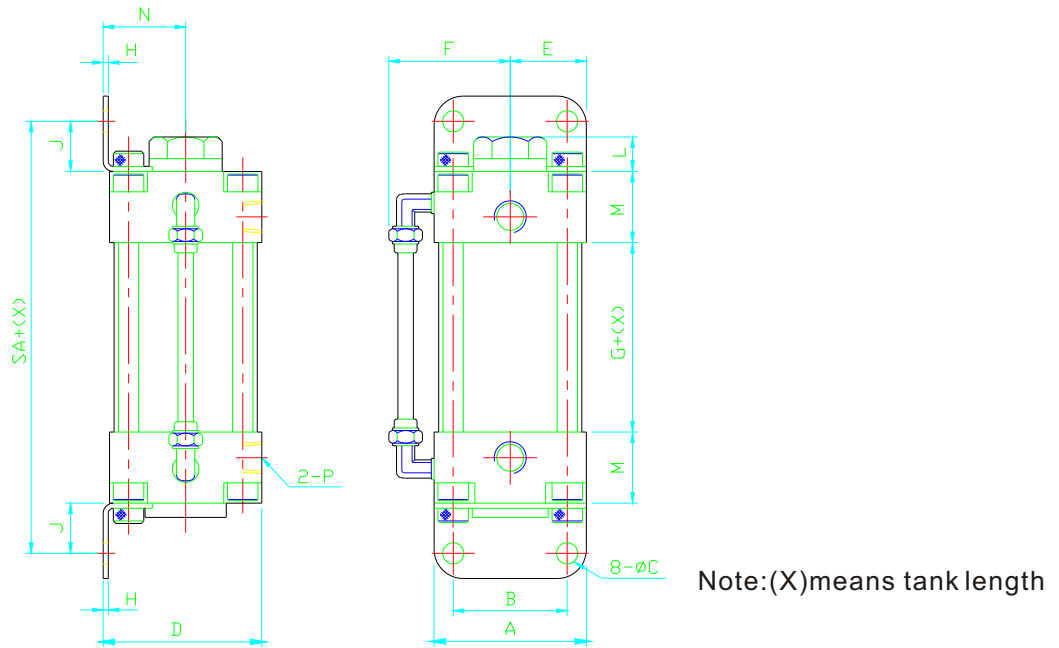


Tank Selection:

Cyl Bore	ø63						ø80						ø100												
	50		75		100		150		200		250		100		125		150		200		250		300		
cylinder bore	Cylinder stroke range																								
	ø40	under 100	101 125	101 150	151 200		250 300	201 250		301 350															
	ø50	under 50	under 75	51 100			151 200	101 150			251 300			201 250											
	ø63		under 50		under 75				51 100		101 150			201 250		151 200	251 300								
	ø80				under 50					under 75				101 150	51 100							101 150	151 200		
ø100									under 50					51 100									101 150		

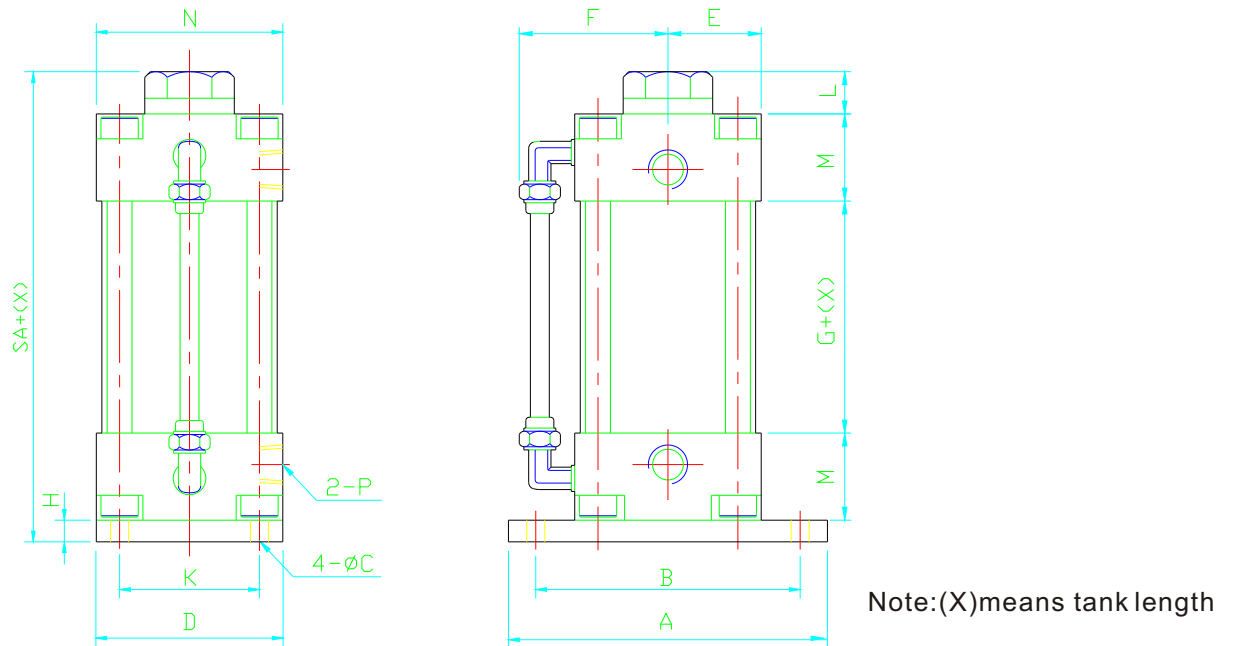
External Dimensions:

- Foot mounting type (LB)



Bore	A	B	C	D	E	F	G	H	J	L	M	N	P	SA
∅63	80	56	12	79	37.5	56.5	32	3.2	31	14	32	41	PT 3/8"	158
∅80	97	70	14	96	47	69	39	4	30	15	36	49	PT 3/8"	171
∅100	112	85	14	114	56.5	76.5	39	4	30	15.5	36	57	PT 1/2"	171

- Rear flange mounting type (FB)



Bore	A	B	C	D	E	F	G	H	K	L	M	N	P	SA
∅63	120	100	9	80	37.5	56.5	32	14	50	14	32	75	PT 3/8"	124
∅80	154	126	12	96	47	69	39	16	63	15	36	94	PT 3/8"	142
∅100	180	150	14	120	56.5	76.5	39	16	75	15.5	36	113	PT 1/2"	143