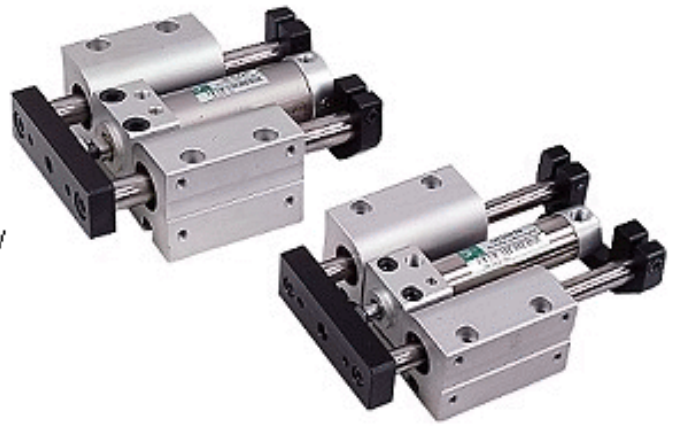


Features:

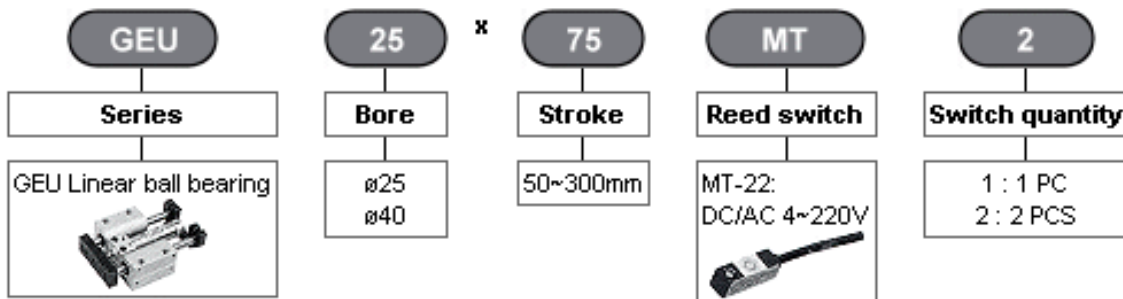
- Suitable for vertical and horizontal applications or multi-axis configurations.
- Incorporates linear ball bearings, resulting in high radial load capacity and accurate travel.
- Fixed piston rod orientation and precision movement make easy solution for linear motion.
- Minimal rod bending, piston bending and uneven seal wear.
- Available in air cushion or using shock absorber to eliminate damaging impacts, to decrease noise and to increase operating speed.



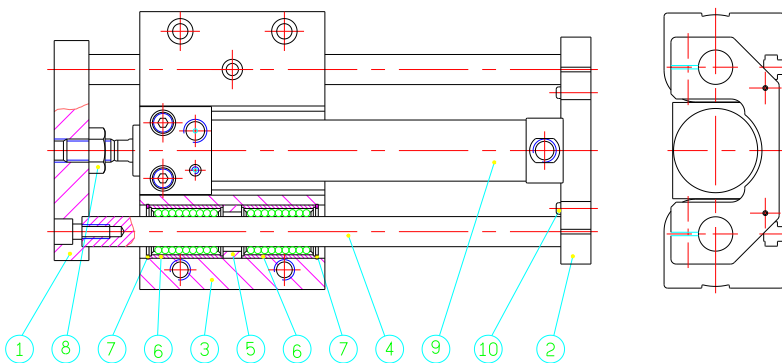
Specifications:

Action	Double acting with magnetic piston		
Series	GEB/GEU		
Bore	ø25	ø40	
Operating fluid	Compressed air		
Max. operating pressure	1.0MPa(10.2kgf/cm ²)		
Proof pressure	1.5Mpa(15.3kgf/cm ²)		
Temperature range	-10°C~+70°C		
Speed range	0.05~0.75m/s		
Cushion	With adj, cushion at both ends		
Overall stroke tolerance	+0.2-1.9mm		
Non-rotating accuracy	GEB	±0.09°	±0.08°
	GEU	±0.05°	±0.04°

How to Order:



Internal Construction:



Parts List:

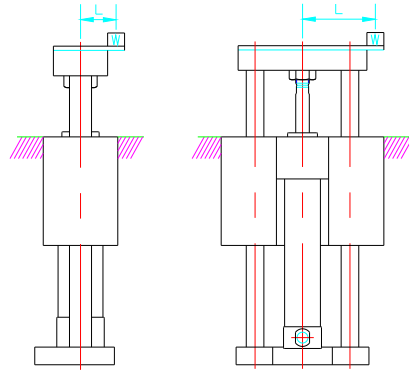
No.	Description	Material	Qty
①	Tool plate	Anodized aluminium alloy (black)	1
②	Rear connecting plate	Anodized aluminium alloy (black)	1
③	Housing	Hard anodized aluminium alloy	1
④	Guide shaft	GEB:S45C GEU: SUJ	2
⑤	Collar	Carbon steel	2
⑥	Bush	GEB: Plain bearing GEU: Ball bearing	4
⑦	Snap ring	Carbon steel	4
⑧	Locking nut	Carbon steel	1
⑨	Cylinder	MB Series	1
⑩	Stroke adj. screw	S45C	2

Theoretical output:

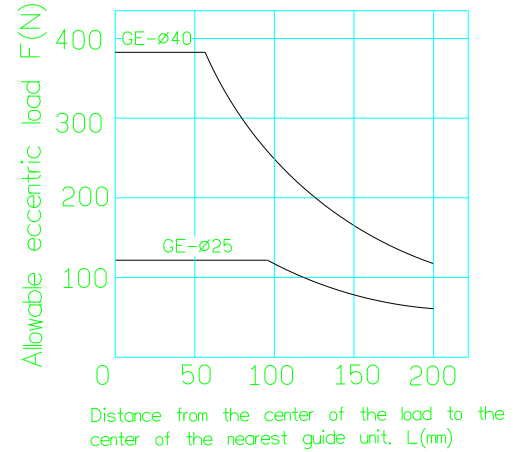


Theoretical output(N) = Operating pressure(Mpa) x Effective area(mm²) 1Mpa ≙ 10.2kgf/cm²

Bore	Rod dia.	Moving direction	Effective area (mm ²)	Operating pressure (Mpa)									
				0.2	0.3	0.4	0.5	0.6	0.7	0.8	0.9	1.0	
25	10	OUT	491	98	147	196	246	295	344	393	442	491	
		IN	412	82	124	165	206	247	288	330	371	412	
40	16	OUT	1257	251	377	503	629	754	880	1006	1131	1257	
		IN	1056	211	317	422	528	634	739	845	950	1056	

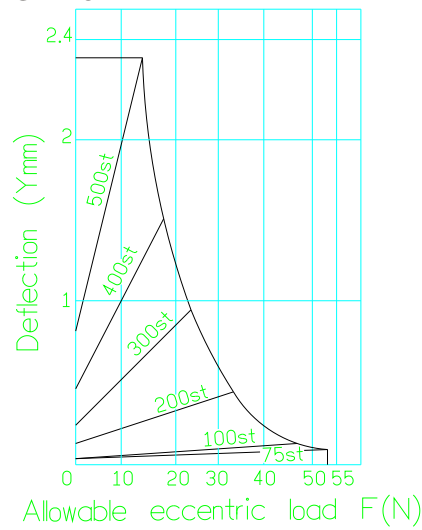


Allowable Eccentric Loading: (Linear ball bearing)

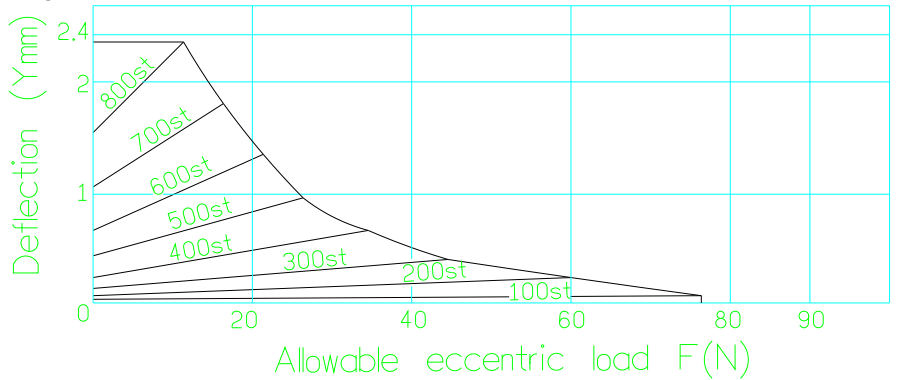


Allowable Loading:(Linear ball bearing)

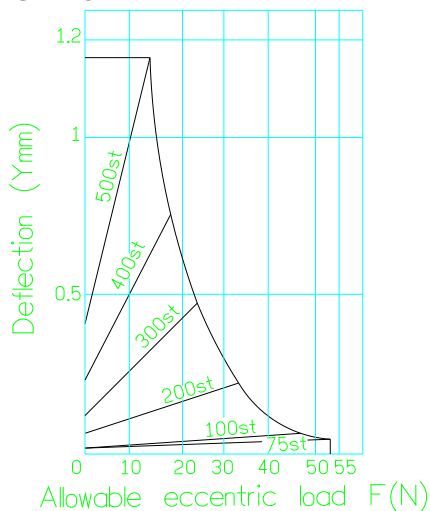
GE25



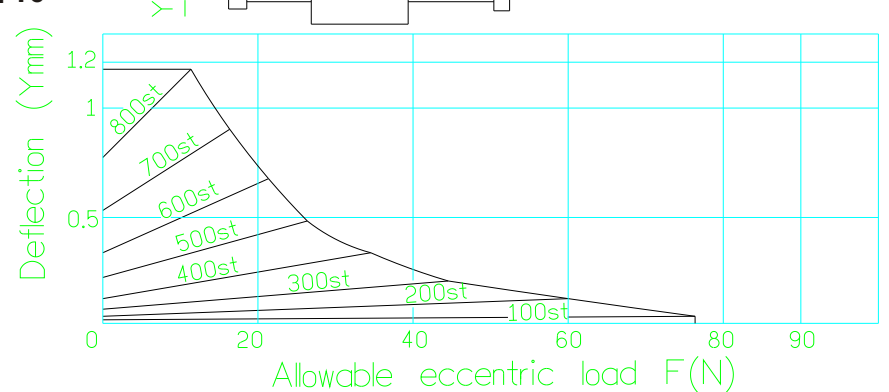
GE40

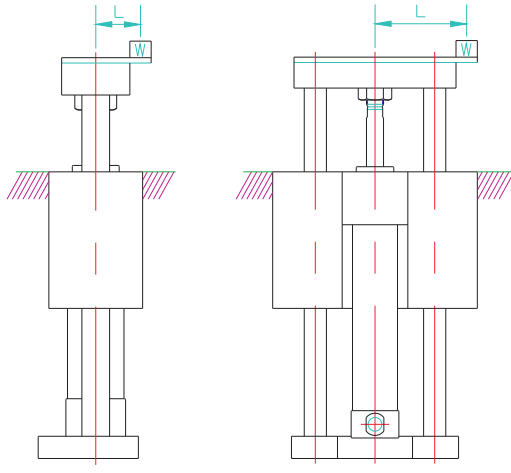


GE25

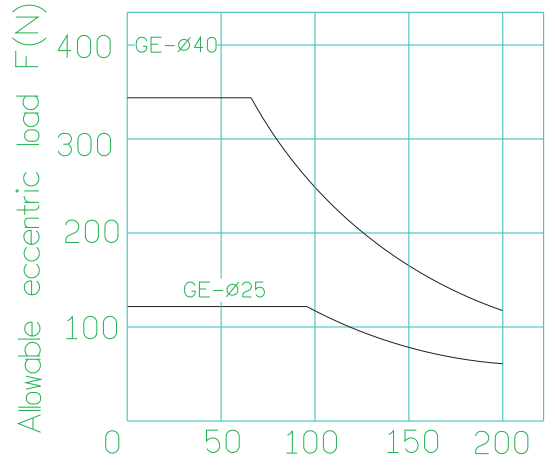


GE40





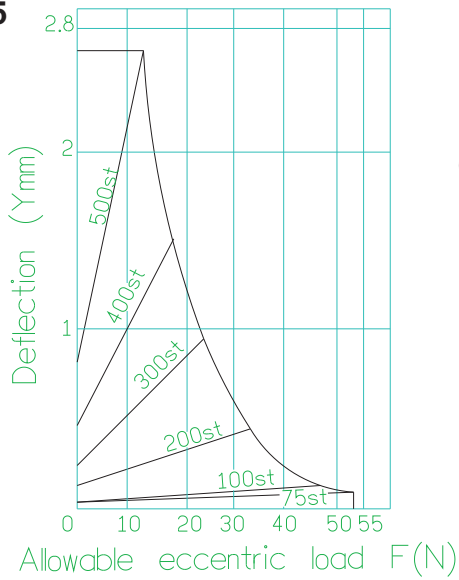
Allowable Eccentric Loading (Plain bearing)



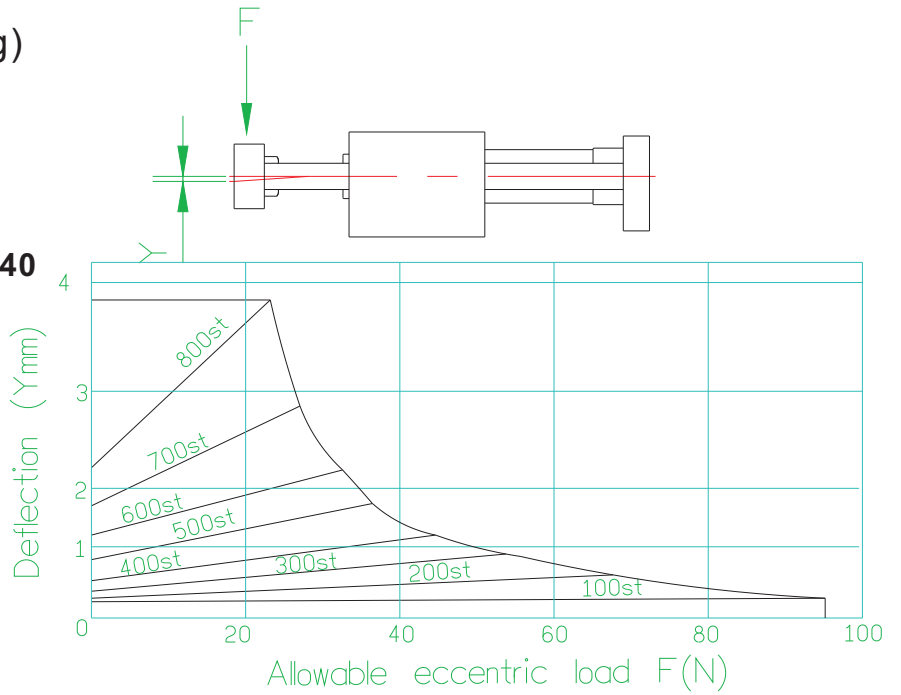
Distance from the center of the load to the center of the nearest guide unit, L(mm)

Allowable Loading:(Plain bearing)

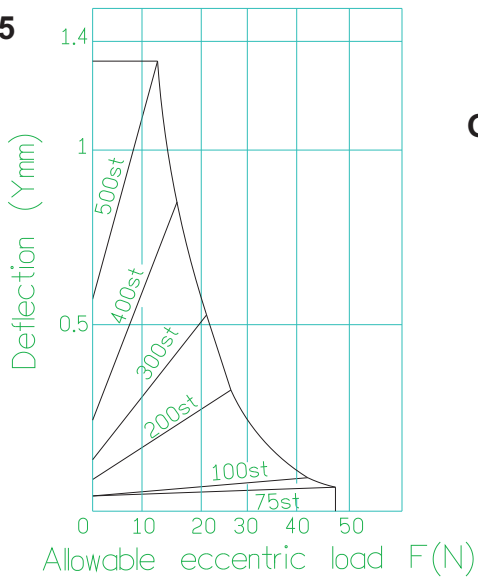
GE25



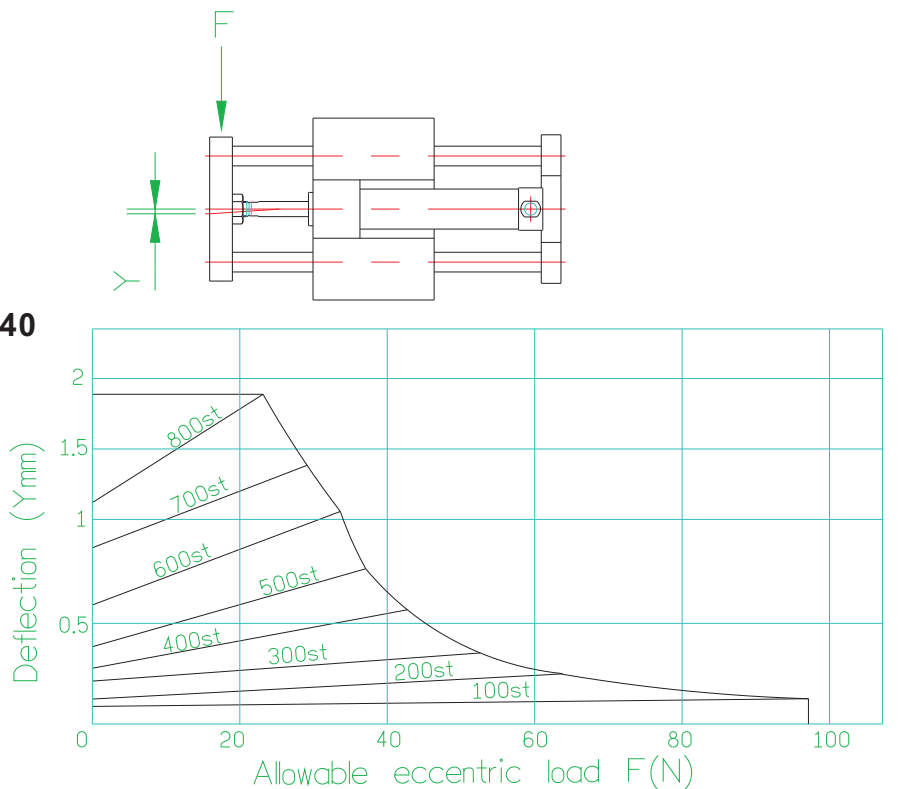
GE40



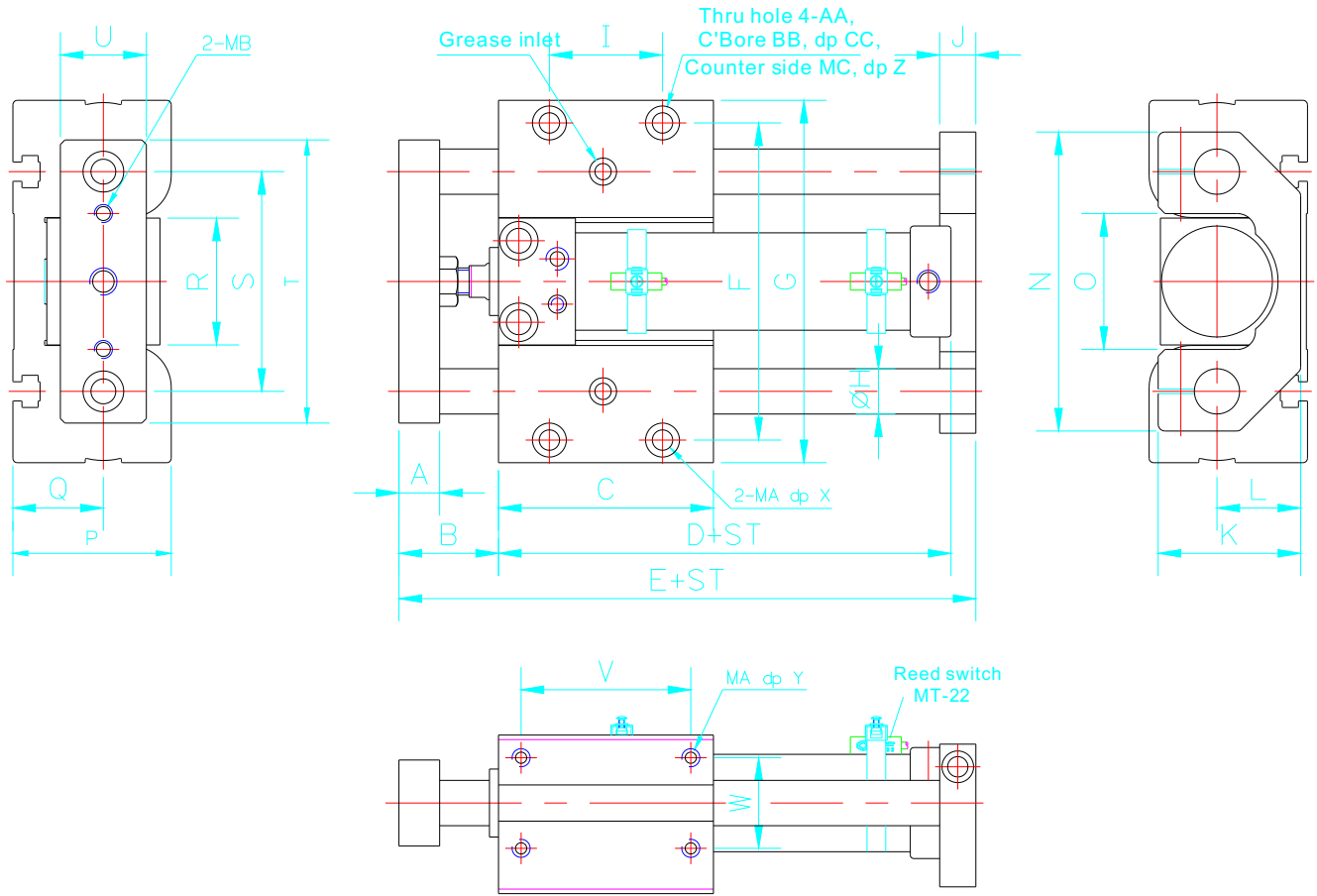
GE25



GE40



External Dimensions:



Bore	A	B	C	D	E	F	G	H	I	J	K	L	MA	Y	MB
GE25	15	37	80	83	132	103	120	13	45	13	47	27	M6x1.0	12	M6x1.0
GE40	18	44	95	100	155	140	160	20	50	16	63	37	M8x1.25	16	M8x1.25

Bore	N	O	P	Q	R	S	T	U	V	W	AA	BB	CC	MC	Z
GE25	98	44	52	30	46	70	95	32	65	30	6.8	11	7	M8x1.25	14
GE40	132	60	70	40	60	97	125	38	75	40	8.5	15	9	M10x1.5	18

Stroke Table:

Bore	Standard stroke (mm)	Special stroke (mm)
25	50, 75, 100, 125, 150,	350, 400, 450, 500
40	175, 200, 250, 300	350, 400, 450, 500, 600, 700, 800

Standard Stroke and Weight Table:

Unit: (g)

Bore/Stroke	50	75	100	125	150	200	250	300	Above 300	Max. stroke
GE 25	1810	1880	1950	2023	2095	2240	2383	2527	Per 50mm stroke add 144g	500
GE 40	3870	4060	4250	4430	4620	5000	5380	5770	Per 50mm stroke add 380g	800