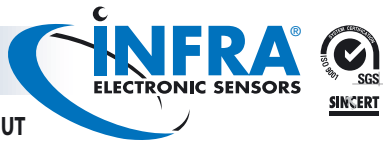


Thru Beam Photoelectric Sensors



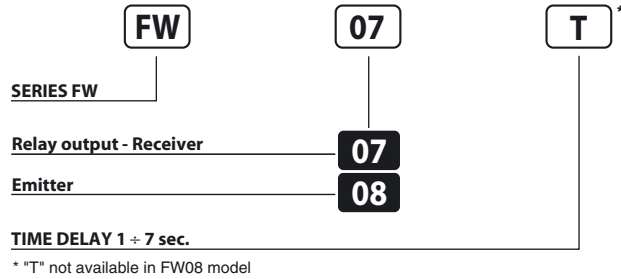
PH. SENSORS IN RECTANGULAR HOUSING 14 ÷ 230 V AC/DC WITH TIMER RELAY OUTPUT

- Wide range World Wide Power Supply
- Rectangle compact size
- Multi-function timer
- ON/OFF delay
- One shot-four functions
- Connector PG13.5

FW Series



Identification code

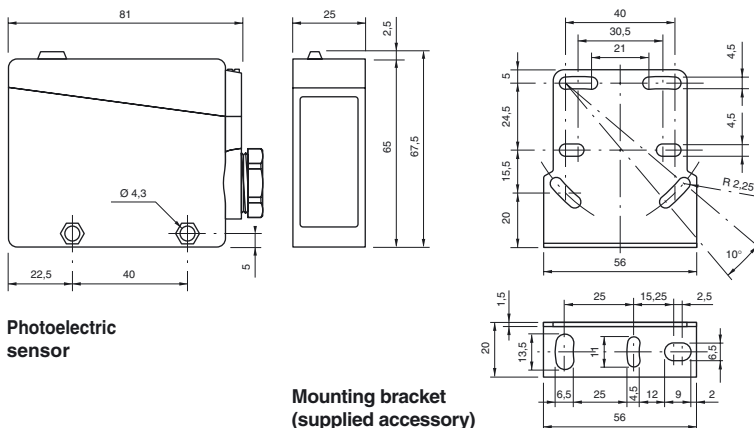


AVAILABLE	RECEIVER	EMITTER
NOMINAL SWITCHING DISTANCE (Sn)	25 m	
TOLERANCE	+10/-10 %Sn	
HYSTERESIS	10%	
EMISSION	-	Infrared (875 nm)
NOMINAL VOLTAGE	14 ÷ 230VAC - DC (-15/+10%)	
NET FREQUENCY	45 ÷ 60 Hz	
OUTPUT	Relay (40 x 10 ⁶ mec. op. - 5 x 10 ⁶ elect. op.)	
MAX OUTPUT CURRENT	3A 250VAC - 3A 30VDC	
ABSORPTION	≤ 2W (2.5 VA)	
YELLOW LED	Light on indicator	
GREEN LED	Supply indicator	
SENSITIVITY ADJUSTEMENT	Present	-
TIME REGULATION	0.1 ÷ 7 s ± 2 s (only models with timer)	
SWITCHING FREQUENCY	10 Hz	
RESPONSE TIME	100 mS	-
START UP DELAY	≤ 300 mS	
TEMPERATURE LIMITS	-10° ÷ +60°C	
LIGHT IMMUNITY	10.000 Lux ⁽¹⁾	
PROTECTION DEGREE	IP 67	
CONNECTIONS	Screw	
CABLE GUIDE	PG 13.5	
HOUSING MATERIAL	Housing: ABS - Lenses: methacrylate	
WEIGHT (Approximately)	110 g	

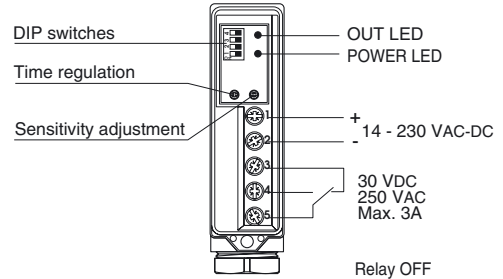
⁽¹⁾ Determined with halogen tungsten lamp 3000° K.

Note: for a proper use see norms at pages 14, 15, 16, 17 and 18.

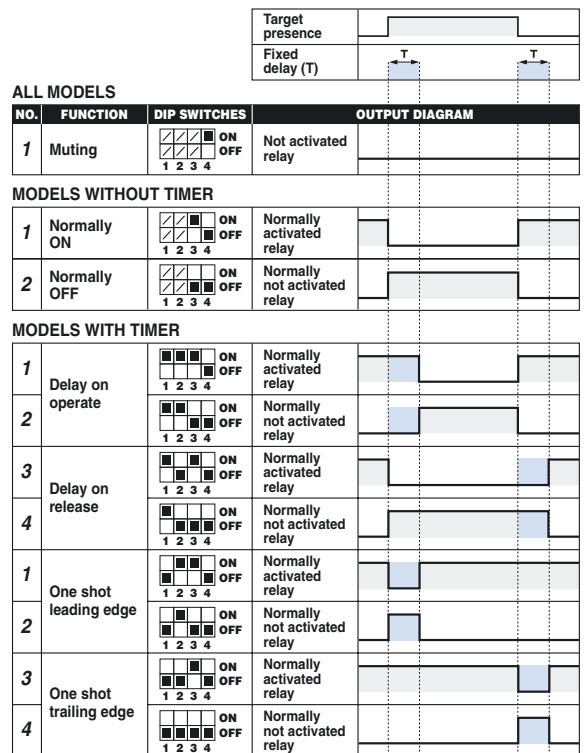
Dimensions (mm)



Wiring diagrams



Timing diagrams



Characteristic curves

