



Diffuse Ref. Laser Photoelectric Sensors



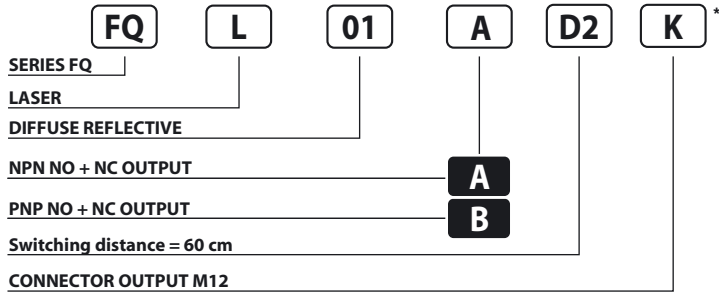
PHOTOELECTRIC SENSORS IN SQUARE HOUSING 12 ÷ 30 V DC NPN OR PNP OUTPUT

- Laser photoelectric sensors Class 1
- Compact size 50x50x15
- M12 quick connect models
- Sensitivity adjustment

FQL Series



Identification code



* only connector version available

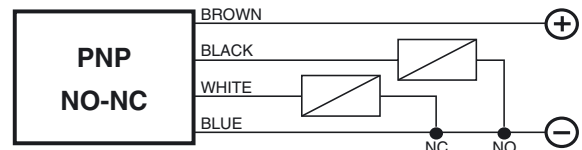
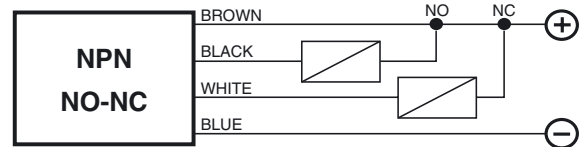
AVAILABLE	DIFFUSE REFLECTIVE
NOMINAL SWITCHING DISTANCE (S _n)	60 cm ⁽¹⁾
HOUSING MATERIAL	ABS
OPERATING VOLTAGE	10÷30 VDC
RESIDUAL RIPPLE	< 2Vpp
ABSORPTION	< 35 mA
EMISSION	Red Laser 650 nm Class 1 EN60825-1
MAX. OUTPUT CURRENT	< 10 mA
VOLTAGE DROP	< 2 V
SWITCHING FREQUENCY	2 kHz
RESPONSE TIME	250 μS
SENSITIVITY ADJUSTMENT	Present
LED	Present
LIGHT IMMUNITY	> 5000 Lux ⁽²⁾
PROTECTION DEGREE	IP 67
TEMPERATURE LIMITS	-10/+50 °C
RESOLUTION	App. 10 mm
REVERSE POLARITY PROTECTION	Present
SHORT CIRCUIT PROTECTION	Present
OVERLOAD TRIP POINT	-
START UP DELAY	< 300 mS
CONNECTION	M12Connector
WEIGHT	43 g

⁽¹⁾ Determined with a white mat paper (cm 10 x 10).

⁽²⁾ Determined with halogen tungsten lamp 3000° K.

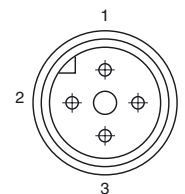
Note: for a proper use see norms at pages 14, 15, 16, 17 and 18.

Wiring diagrams



Connection with connector M12 (K)

View of quadripole male connector

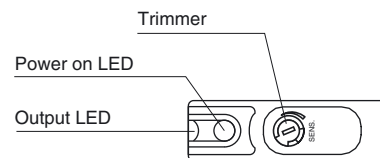


CONTACTS CONFIGURATION

Available (NO + NC)	Contacts numbers			
	1	2	3	4
+	+	NC	-	NO

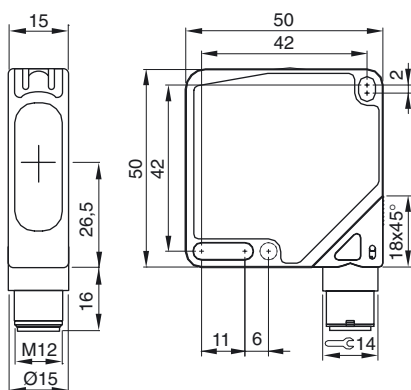
Sensitivity adjustment

- 1) SENSITIVITY INCREASE
Screw the trimmer towards right towards position "+"
- 2) SENSITIVITY DECREASE
Screw the trimmer towards left towards position "-"



Note: the trimmer just needs one turn.

Dimensions (mm)



Characteristic curves

