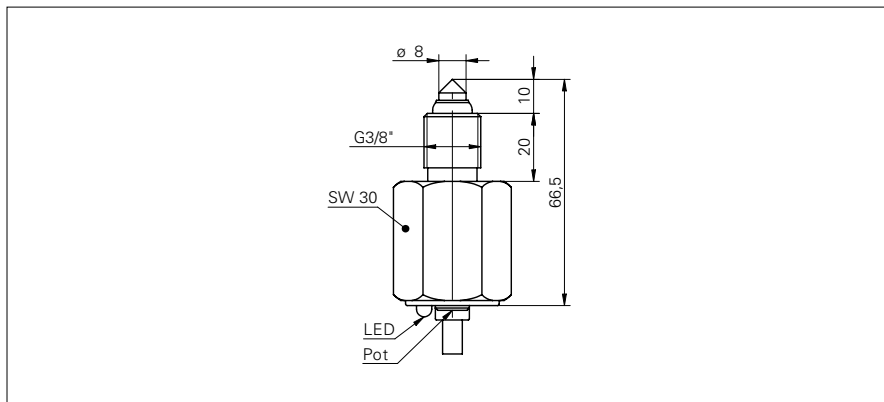


## Liquid level and leakage sensors

## FFAM 17PTD1002/L

## dimension drawing



## general data

|                              |                        |
|------------------------------|------------------------|
| type                         | liquid level sensor    |
| light source                 | pulsed infrared diode  |
| nominal pressure (probe tip) | 40 bar                 |
| output indicator             | LED yellow             |
| sensitivity adjustment       | potentiometer, 15 turn |
| wave length                  | 880 nm                 |

## electrical data

|                             |                    |
|-----------------------------|--------------------|
| voltage supply range +Vs    | 10 ... 30 VDC      |
| current consumption max.    | 15 mA              |
| voltage drop Vd             | < 2 VDC            |
| output function             | normally open (NO) |
| output circuit              | PNP                |
| output current              | < 200 mA           |
| short circuit protection    | no                 |
| reverse polarity protection | yes, Vs to GND     |

## mechanical data

|                           |                                     |
|---------------------------|-------------------------------------|
| width / diameter          | 30 mm                               |
| height / length           | 66,5 mm                             |
| thread                    | G 3/8"                              |
| type                      | cylindrical                         |
| material (sensing device) | glass (borosilicate)                |
| housing material          | stainless steel DIN 1.4305/AISI 303 |
| connection types          | cable 3 pin, 2 m                    |

## ambient conditions

|                       |              |
|-----------------------|--------------|
| operating temperature | 0 ... +65 °C |
| protection class      | IP 67        |

## photo



## connection diagram

