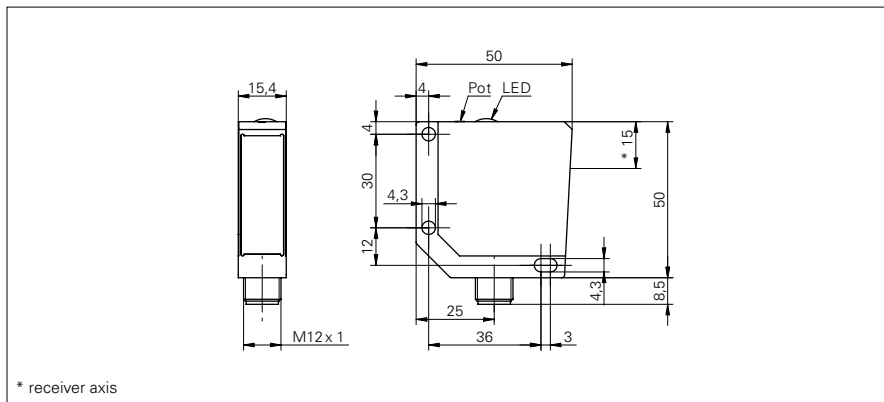


Through beam sensors

FEDM 16

sample drawing



general data

type	through beam sensor
emitter / receiver	receiver
alignment / soiled lens indicator	flashing light indicator
light indicator	LED yellow
actual range $S_b = 3$ m	
nominal range S_n	3,5 m
sensitivity adjustment	potentiometer, 10 turn
actual range $S_b = 8$ m	
nominal range S_n	10 m
sensitivity adjustment	no

electrical data

response time / release time	< 1 ms
voltage supply range +Vs	10 ... 30 VDC
current consumption max.	17 mA
current consumption typ.	17 mA
voltage drop V_d	< 1,8 VDC
output function	light / dark operate
output circuit	PNP
output current	< 200 mA
short circuit protection	yes
reverse polarity protection	yes

mechanical data

width / diameter	15,4 mm
height / length	50 mm
depth	50 mm
type	rectangular
housing material	die-cast zinc
front (optics)	PMMA

ambient conditions

operating temperature	-25 ... +65 °C
protection class	IP 67

sample picture



Through beam sensors**FEDM 16**

order reference	actual range Sb	connection types
FEDM 16P5101	8 m	cable 4 pin, 2 m
FEDM 16P5101/S14	8 m	connector M12 4 pin
FEDM 16P5105	3 m	cable 4 pin, 2 m
FEDM 16P5105/S14	3 m	connector M12 4 pin