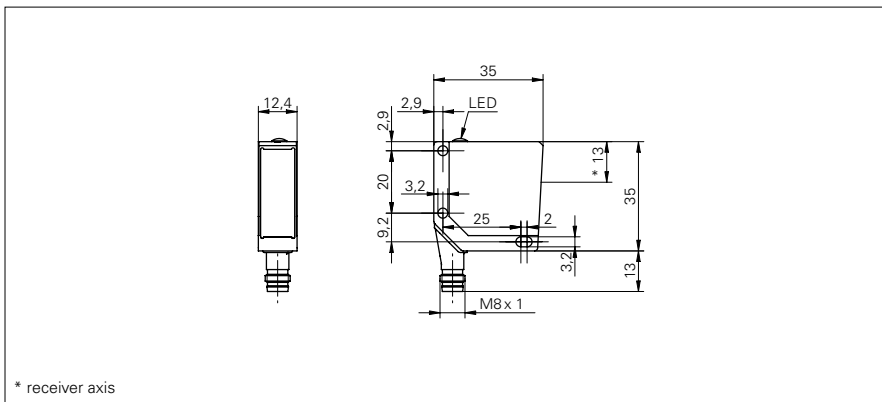


Through beam sensors

FEDM 12

sample drawing



general data

| | |
|-----------------------------------|--------------------------|
| type | through beam sensor |
| emitter / receiver | receiver |
| actual range S_b | 6 m |
| nominal range S_n | 7,5 m |
| alignment / soiled lens indicator | flashing light indicator |
| light indicator | LED yellow |
| sensitivity adjustment | no |

electrical data

| | |
|------------------------------|---------------|
| response time / release time | < 1 ms |
| voltage supply range +Vs | 10 ... 30 VDC |
| current consumption max. | 17 mA |
| current consumption typ. | 17 mA |
| voltage drop Vd | < 1,8 VDC |
| output current | < 100 mA |
| short circuit protection | yes |
| reverse polarity protection | yes |

mechanical data

| | |
|------------------|---------------|
| width / diameter | 12,4 mm |
| height / length | 35 mm |
| depth | 35 mm |
| type | rectangular |
| housing material | die-cast zinc |
| front (optics) | PMMA |

ambient conditions

| | |
|-----------------------|----------------|
| operating temperature | -25 ... +65 °C |
| protection class | IP 67 |

sample picture



Through beam sensors

FEDM 12

| order reference | connection types | output circuit | output function |
|-------------------|--------------------|----------------|----------------------|
| FEDM 12N3401 | cable 4 pin, 2 m | NPN | alarm output dark |
| FEDM 12N3401/S35A | connector M8 4 pin | NPN | alarm output dark |
| FEDM 12N5101 | cable 4 pin, 2 m | NPN | light / dark operate |
| FEDM 12N5101/S35A | connector M8 4 pin | NPN | light / dark operate |
| FEDM 12P3401 | cable 4 pin, 2 m | PNP | alarm output dark |
| FEDM 12P3401/S35A | connector M8 4 pin | PNP | alarm output dark |
| FEDM 12P5101 | cable 4 pin, 2 m | PNP | light / dark operate |
| FEDM 12P5101/S35A | connector M8 4 pin | PNP | light / dark operate |