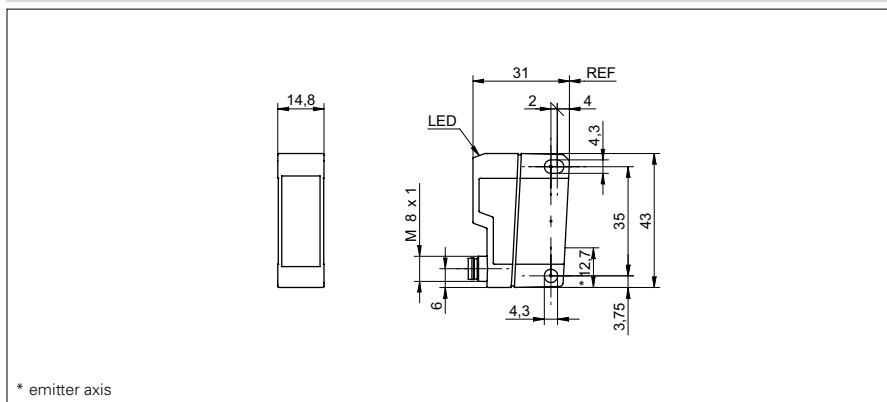


Distance sensors

FADK 14 (current output)

sample drawing



general data

sensing element	photoelectric array
measuring distance Sd	50 ... 400 mm
power on indication	LED green
soiled lens indicator	LED red / LED red blinking
resolution	0,1 ... 1 mm
linearity error	± 0,6 ... ± 3 mm
light source	pulsed point source LED
wave length	660 nm
beam type	point
beam diameter	8 mm

electrical data

response time / release time	< 3 ms
voltage supply range +Vs	12 ... 26 VDC
current consumption max.	80 mA
output circuit	analog
output signal	4 ... 20 mA
load resistance (analog I)	< (+Vs - 8 V) / 0,02 A
output current	< 100 mA
alarm output	push-pull
short circuit protection	yes
reverse polarity protection	yes, Vs to GND
IO-Link	yes

mechanical data

width / diameter	14,8 mm
height / length	43 mm
depth	31 mm
type	rectangular
housing material	plastic (ASA, MABS)
front (optics)	PMMA

ambient conditions

operating temperature	0 ... +50 °C
protection class	IP 67

sample picture



Distance sensors**FADK 14 (current output)**

order reference	connection types
FADK 14I4470	cable 4 pin, 2 m
FADK 14I4470/S14	connector M12 4 pin
FADK 14I4470/S35A	connector M8 4 pin