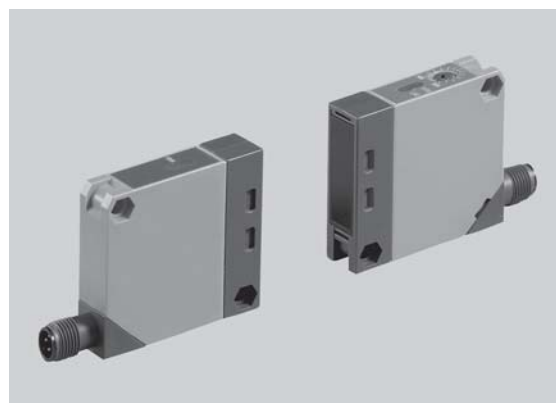


**E 955 (Transmitter)**  
**R 955 R (Receiver)**



- Sensing distance: 15 m
- Supply: 18 / 240 V AC/DC
- Output: relay



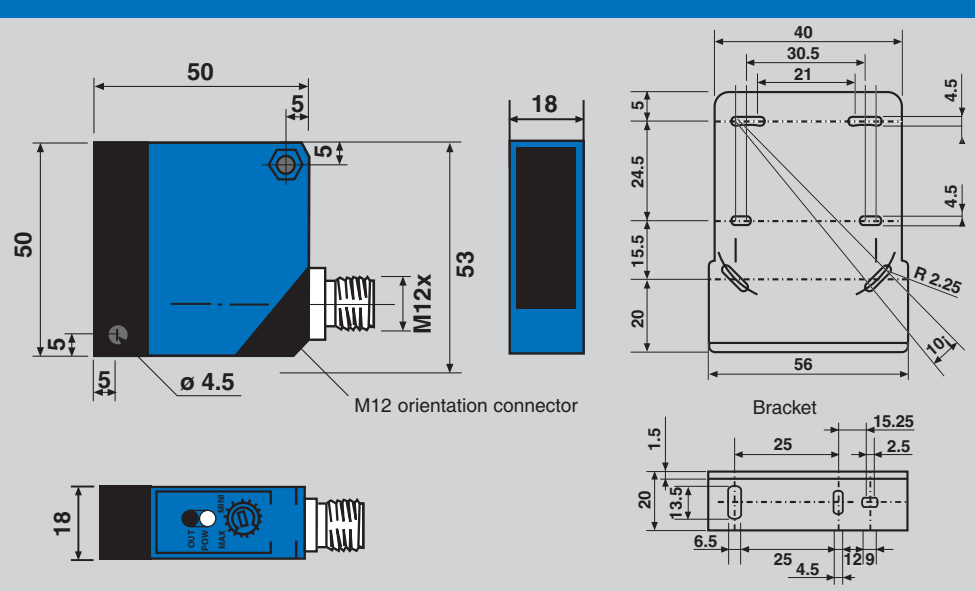
**Description:**

- On/Off indicator
- Signal indicator
- M12 connector (orientable)
- Relay output
- ABS housing
- Mounting bracket supplied

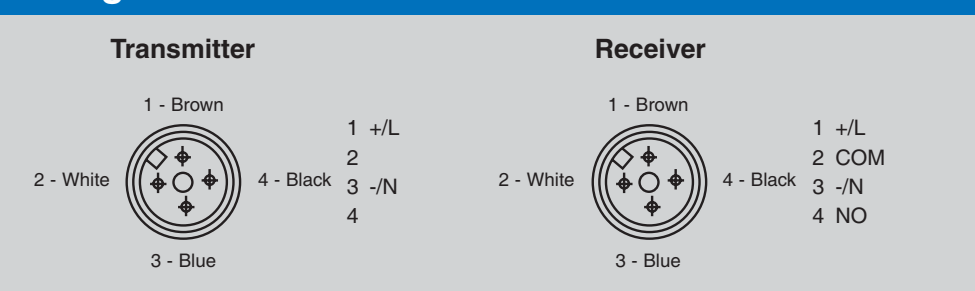
**Applications:**

- Material handling
- Conveyor
- Admittance control
- Automatic warehousing

**Dimensions**

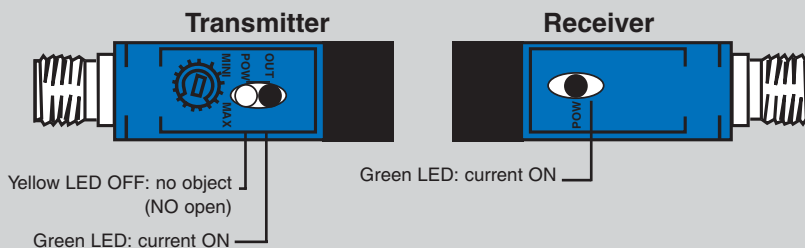


**Wiring Connections**



**Visualisation and Adjustment**

Increasing sensibility: turn the potentiometer towards **MAX**  
Decreasing sensibility: turn the potentiometer towards **MINI**



**Technical Information**

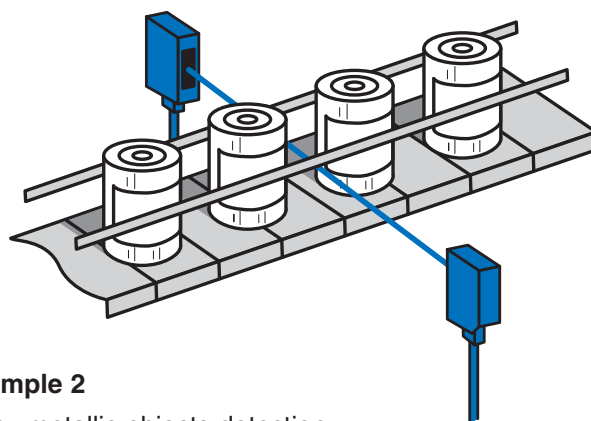
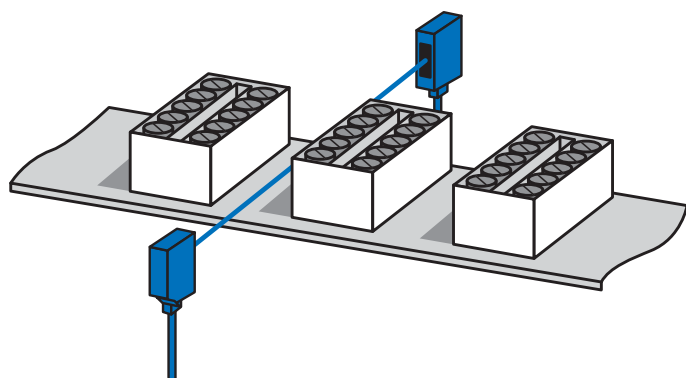
<b>Supply</b>	voltage	18 / 240 V AC/DC
	consumption	2,5 VA
<b>Response time</b>	$t_{on}, t_{off}$	100 Ms
	switching frequency	10 Hz
<b>Relay output</b>	type	NO
	relay state	at ease: beam cut at work: on request
	maximal voltage	125 VDC / 240 VAC
	maximal intensity	3 A
	cut power	90 W / 360 VA
<b>Sensing distance</b>		15 m
<b>Emission</b>	LED	infra-red
	modulation frequency	55 Hz
<b>Temperature</b>	operating	- 10° to 60° C
	storage	- 20° to 80° C
<b>External light immunity</b>	incandescent light	10 000 Lux
<b>Protection</b>	degree of protection	IP 65

**To Place Order**

Product	Reference		
Transmitter sensor M12 connector (supplied with bracket)	E CO 955		
Receiver sensor M12 connector (supplied with bracket)	R CO 955 R		
M12 connector cable	- length 2 m	- straight	CM 122
	- length 5 m	- straight	CM 125
		- 90° angle	CM 125 C

**TYPES OF APPLICATIONS**
**Example 1**

Through-beam detection on a conveyor.


**Example 2**

Shiny metallic objects detection.