

**E/R 989 S**

- Sensing distance : 4 m
- Supply : 10 à 30 VDC
- Output : PNP ou NPN
- Trimmer sensibility set-up


**Description :**

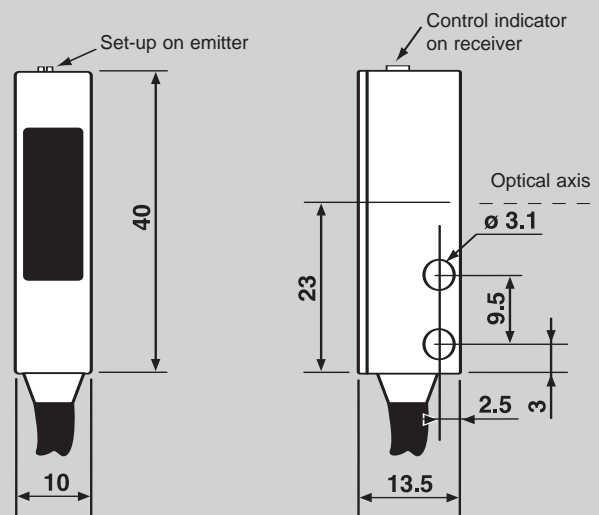
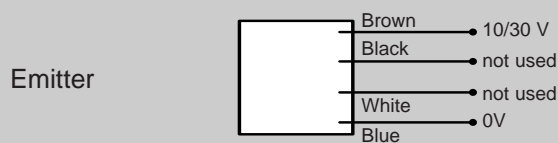
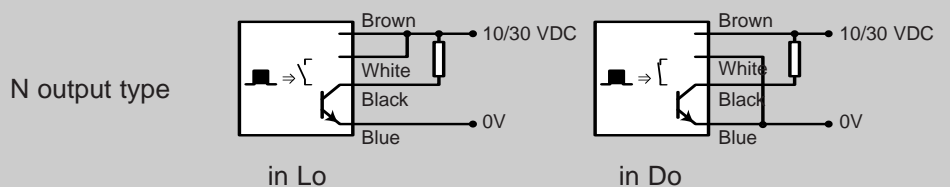
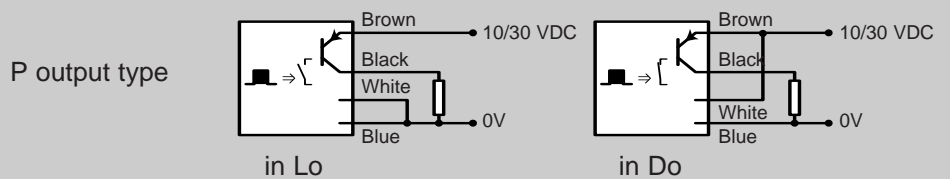
- Miniaturised
- High sensing distance
- Integrated amplifier
- Detection indication by LED
- Direct / inverse output
- 2 m cable or M8 plug
- Strong housing

**Applications :**

- Detection of opaque parts on a conveyor.
- Detection of opaque parts far away.
- Control of parts position on a robot.

**Dimensions**

Emitter / Receiver


**Wiring Connections**

**Through-beam detection**


## Tecnical Information

<b>Supply</b>	voltage	10 / 30 VDC ripple < 10% within specified limits
	consumption	< 25 mA
<b>Response time</b>	t <sub>on</sub> or t <sub>off</sub>	1 mS
	switching frequency	500 Hz
<b>Output</b>	max. nominal frequency	100 mA
	residual voltage at 100 mA	< 2 V
	residual voltage at 10 mA	< 1 V
<b>Emission</b>	LED	red pulsed
	modulation frequency	6 KHz
<b>Temperature</b>	operating	0 to 50° C
	storage	- 20° to 80° C
<b>External light immunity</b>	incandescent light	5 000 lux
	sunlight	10 000 lux
<b>Protections</b>	supply	inverse polarity protection
	output	permanent short-circuit or over-load protection
	degree	IP 65 and IP 67
<b>Directe / inverse function</b>		by cable, see "Wiring Connections"

This product is UL listed if powered by a class II power supply or a 30 VDC max. insulated power supply (e.g. insulated transformer) protected by a 3A max UL listed fuse

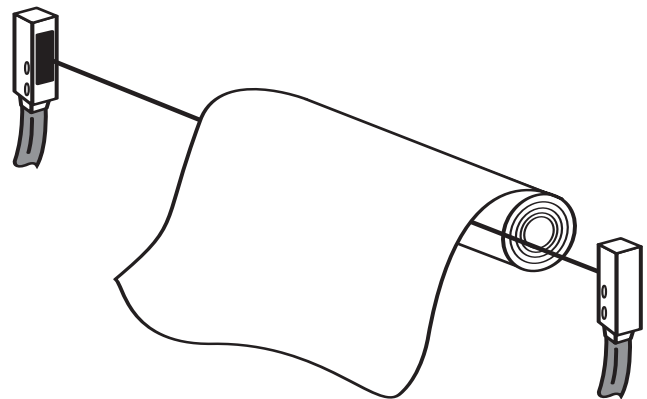
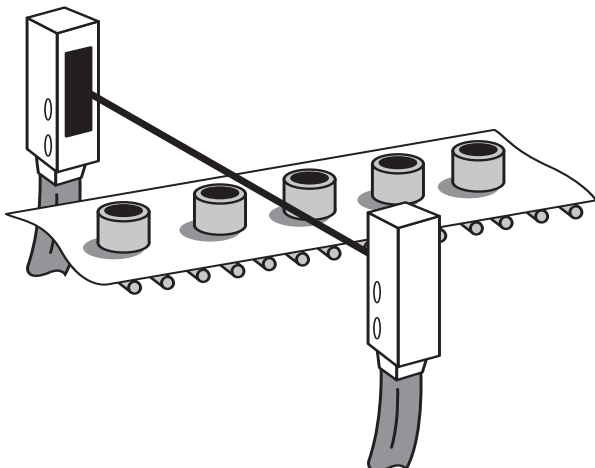
## To Place Order

<b>Product</b>	Miniature sensor in through-beam mode	
<b>Reference</b>	E 989 - cable output	R 989 SN - 2 m cable output (NPN)
	E CO 989 - plug output	R 989 SP - 2 m cable output (PNP)
		R (CO) SN - plug output (NPN)
		R (CO) SP - plug output (PNP)

## TYPE OF APPLICATIONS

### Example 1

Detection of rubber parts.



### Exemple 2

Control of bobine end.