

BAT 1 956 S - BAT 2 956 S

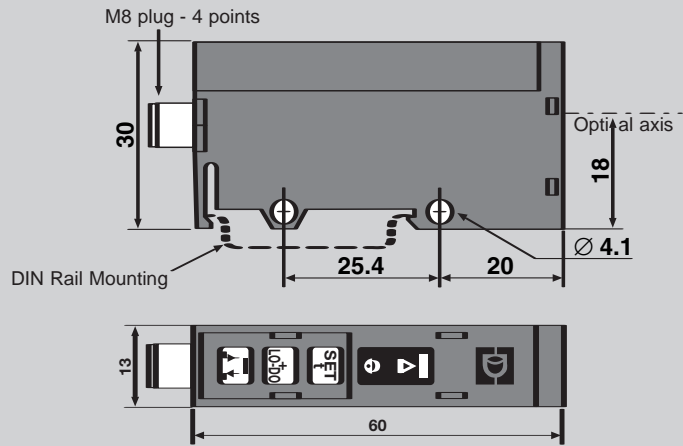
- Sensing distance on reflector 50x50 mm :
 BAT 1 : 0-80 cm - Reflector at 80 cm max.
 BAT 2 : 0-140 cm - Reflector between 40 cm and 140 cm
- Supply : 10 / 30 VDC
- Output : PNP / NPN
- On-delay or off-delay timer



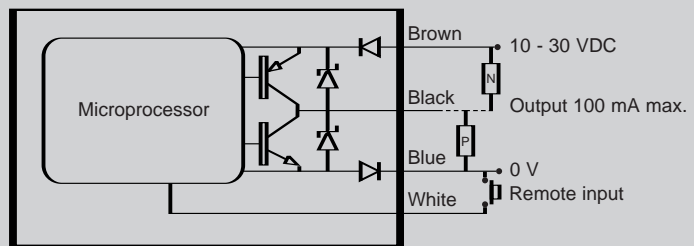
Description

- Simple and quick set-up for self-teach
- Coaxial emitter-receiver
- Immunity to reflections interferences
- Adjustable timer
- Alignment indicator
- Dirty optics indicator
- Keyboard lock
- Remote input for self-teach
- Direct or inverse output
- Output : PNP / NPN
- M8 plug
- Polycarbonate strong casing

Dimensions



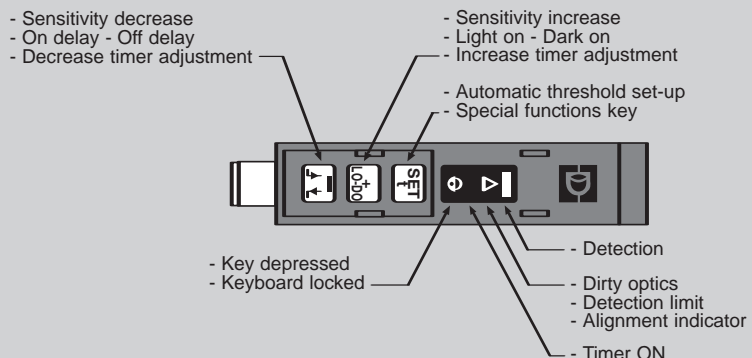
Wiring Connections



Applications

- Through-beam on a conveyor : glass
- Detection of transparent parts (glass, PET,...).
- Bottle detection on blow moulding machinery (PET, glass, ...).

Visualisation and Keyboard



Technical Information

Supply	voltage	10 / 30 VDC ripple < 10% within specified limits
	consumption	< 45 mA
Response time	t _{on} or t _{off}	< 500 μs
	switching frequency	< 1 KHz
Output	max. nominal intensity	100 mA
	residual voltage at 100 mA	< 2 V
	residual voltage at 10 mA	< 1 V
Emission	LED	red
	modulation frequency	8 KHz
Timer	range	0 to 5 s with 11 increments
	increment duration	first increment : 40 ms, following increments : 500 ms
Temperature	operating	0 to 50 °C
	storage	-20 to 80 °C
External light immunity	incandescent light	10 000 lux
	sunlight	20 000 lux
Protections	supply	inverse polarity protection
	output	permanent short-circuit or over-load protection
	degree of protection	IP 67 (connector on place)
Remote input	on	voltage < 1.4 V
	off	voltage > 3 V

This product is UL listed if powered by a class II power supply or a 30 VDC max. insulated power supply (e.g. insulated transformer) protected by a 3A max UL listed fuse

Programming Function

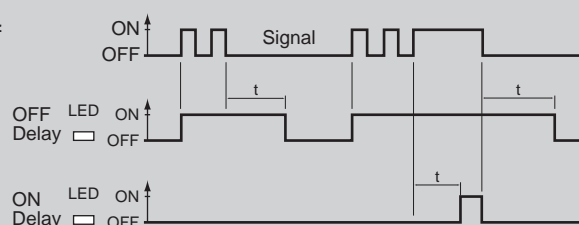
LEARNING CONDITIONS :

The reflector is set the axis at the required distance, the object to detect being removed.

SELF-TEACH OPERATION	SENSITIVITY ADJUSTMENT	LIGHT ON DARK ON	TIMING FUNCTIONS	ALIGNMENT
Standard mode 1 time	To increase N times To decrease N times Step by step action	 Keep up 4 seconds The output function is inverted Indicator <input type="checkbox"/> does not change	4 seconds : flashes N times, T ↗ } t ON N times, T ↘ } 4 sec. : switch ON delay OFF delay Reset Timer. t OFF 4 seconds End of timing set up	4 seconds flashes at 3 different frequencies proportional to the signal 4 seconds End of the alignment

Keyboard lock : & 4 sec., switches on

Keyboard unlock : & 4 sec., switches off

TIMER CHART


- CE following directives 89 / 336 / CEE and 92 / 31 / CEE (see DINEL for test conditions)
- This product should not be used in applications that would endanger individuals. Any change of label is strictly forbidden.