

MINIATURE RETRO-REFLEX POLARISED SENSOR

B 989 S

**B 989 S**

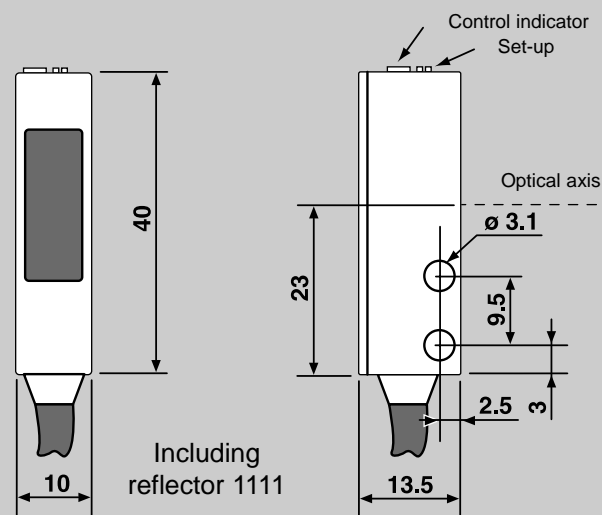
- Sensing distance :  
On reflector 50 x 50 : 1 m  
On reflector  $\varnothing$  84 : 1,5 m
- Supply : 10 to 30 VDC
- Output : PNP or NPN
- Trimmer sensibility set-up



**Description :**

- Miniaturised
- Integrated amplifier
- Detection indication by LED
- Lateral beam
- Reflector inclus 50 x 50 (réf.1111)
- Direct / inverse output
- Polarised visible light
- 2 m cable or M8 plug
- Strong housing
- Cheap product

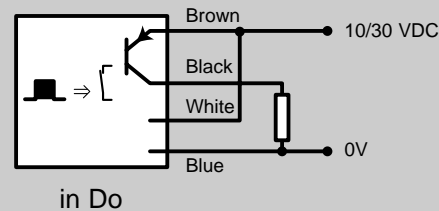
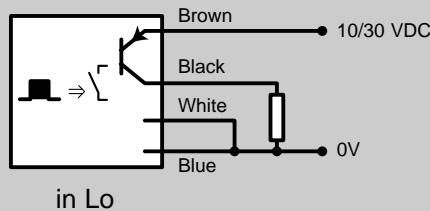
**Dimensions**



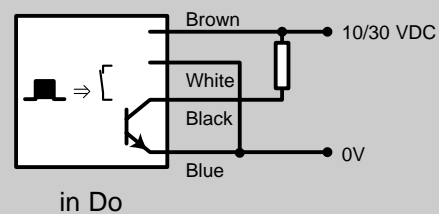
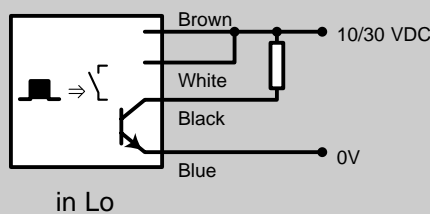
**Wiring Connections**

$\Rightarrow$  Through-beam detection

**P output type**

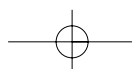


**N output type**



**Applications :**

- Control of position or presence of parts on machine, small conveyor, robot.
- Detection of small parts, even shiny.
- Small space positioning sensor.





## MINIATURE RETRO-REFLEX POLARISED SENSOR

**B 989 S**

### Tecnical Information

<b>Supply</b>	voltage	10 / 30 VDC ripple < 10% within specified limits
	consumption	< 25 mA
<b>Response time</b>	$t_{on}$ or $t_{off}$	1 mS
	switching frequency	500 Hz
<b>Output</b>	max. nominal frequency	100 mA
	residual voltage at 100 mA	< 2 V
	residual voltage at 10 mA	< 1 V
<b>Emission</b>	LED	red pulsed
	modulation frequency	6 KHz
<b>Temperature</b>	operating	0 to 50° C
	storage	- 20° to 80° C
<b>External light immunity</b>	incandescent light	5 000 lux
	sunlight	10 000 lux
<b>Protections</b>	supply	inverse polarity protection
	output	permanent short-circuit or over-load protection
	degree	IP 65 and IP 67
<b>Directe / inverse function</b>		by cable, see "Wiring Connections"

This product is UL listed if powered by a class II power supply or a 30 VDC max. insulated power supply (e.g. insulated transformer) protected by a 3A max UL listed fuse

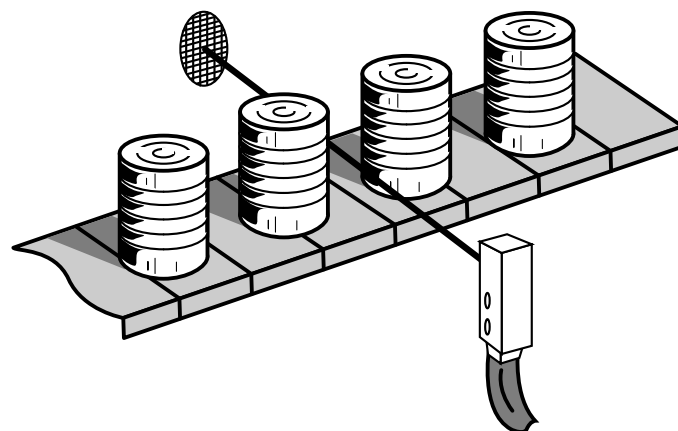
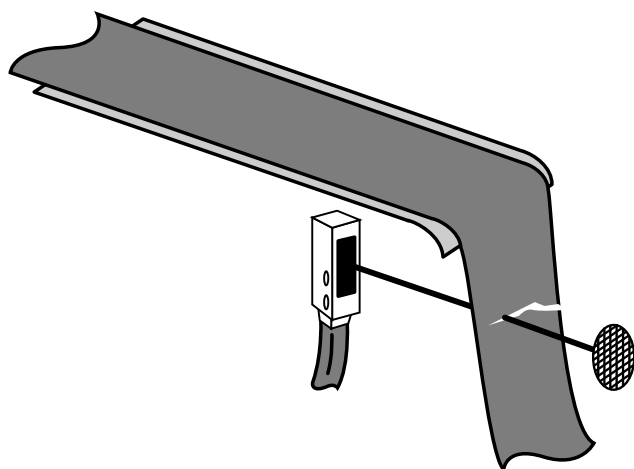
### To Place Order

<b>Product</b>	Miniature retro-reflex polarised sensor
<b>Reference</b>	B 989 SN - 2 m cable output (NPN)
	B 989 SP - 2m cable output (PNP)
	B (C0) 989 SN - plug output (NPN)
	B (C0) 989 SP - plug output (PNP)

### TYPE OF APPLICATIONS

#### Example 1

Detection of break in a metallic strip.



#### Example 2

Detection of metallic cans on a conveyor.