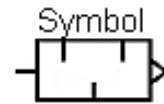


## Features:

- Brass-sintering of multi-aperture global body.
- Sintered brass makes durable tolerance.
- Very suitable for miniature solenoid valve and air actuated valve.



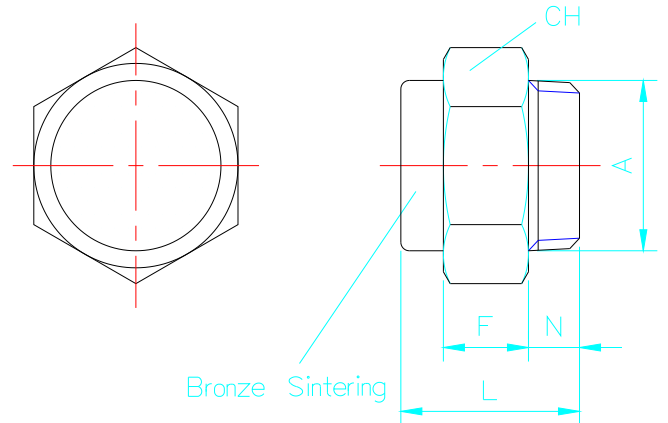
## Specifications:

Item/Model	STM5	ST01	ST02	ST03	ST04	ST06	ST10	SUM5	SU01	SU02	SU03	SU04	SU06	SU10	
Port size Rc(PT)	M5	1/8"	1/4"	3/8"	1/2"	3/4"	1"	M5	1/8"	1/4"	3/8"	1/2"	3/4"	1"	
Operating fluid	Air							Air							
Operating pressure Mpa(Kgf/cm <sup>2</sup> )	0~0.9(0~9.2)							0~0.9(0~9.2)							
Proof pressure Mpa(Kgf/cm <sup>2</sup> )	1.3(13.3)							1.3(13.3)							
Temperature range °C	5~150							5~150							
Material	Body	Brass							Brass						
	Filter	Sintered bronze (40 μm)							Sintered bronze (40 μm)						
Effective area mm <sup>2</sup>	12	19	50	103	153	180	210	7	19	63	103	153	178	203	
Silent efficiency (dB)	4	5	6	25	8	9	11	18	14	13	14	11	11	10	
Weight (g)	4.5	5.5	12	16.5	33.5	38	43.5	3	8	15	24	42	49	60	



## External Dimensions:

TYPE	Port size	N	F	L	CH
STM5	M5	3	5	9.5	8
ST01	1/8"	4	6	12	12
ST02	1/4"	4	8	15	17
ST03	3/8"	5	9	17	19
ST04	1/2"	6	10	18.5	24
ST06	3/4"	8	10	21	30
ST10	1"	8	12	23	36



## External Dimensions:

TYPE	Port size	D1	D2	N	F	L	H	CH
SUM5	M5	5	4	3	5	12	20	8
SU01	1/8"	8	7	4	6	14	24	12
SU02	1/4"	12	10	4	8	18	30	17
SU03	3/8"	14	11	5	9	21	35	19
SU04	1/2"	19	15	6	10	28	44	24
SU06	3/4"	25	20	8	10	32	50	30
SU10	1"	30	25	8	12	43	63	36

