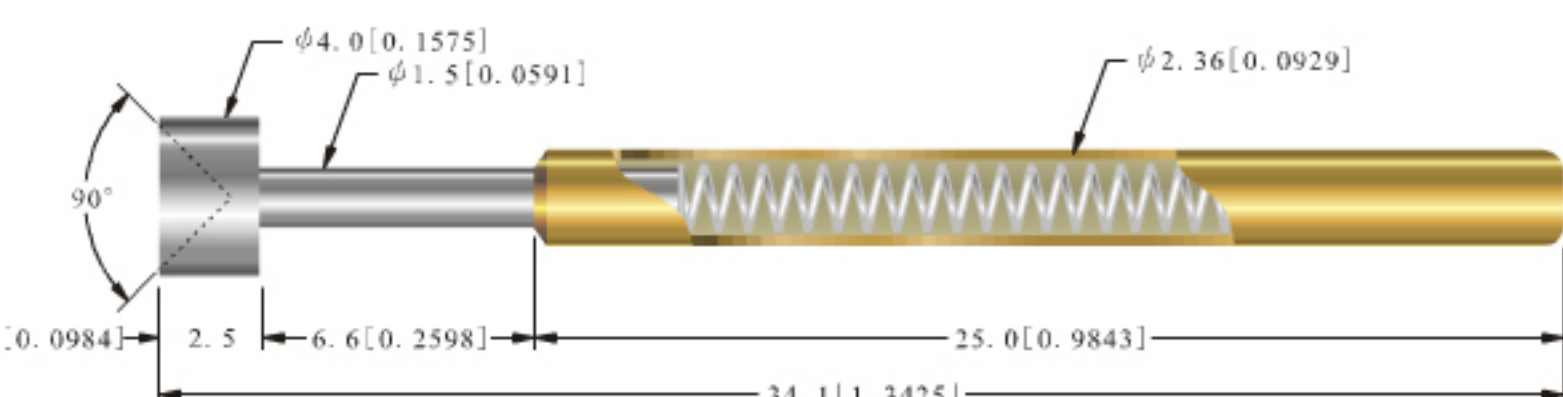
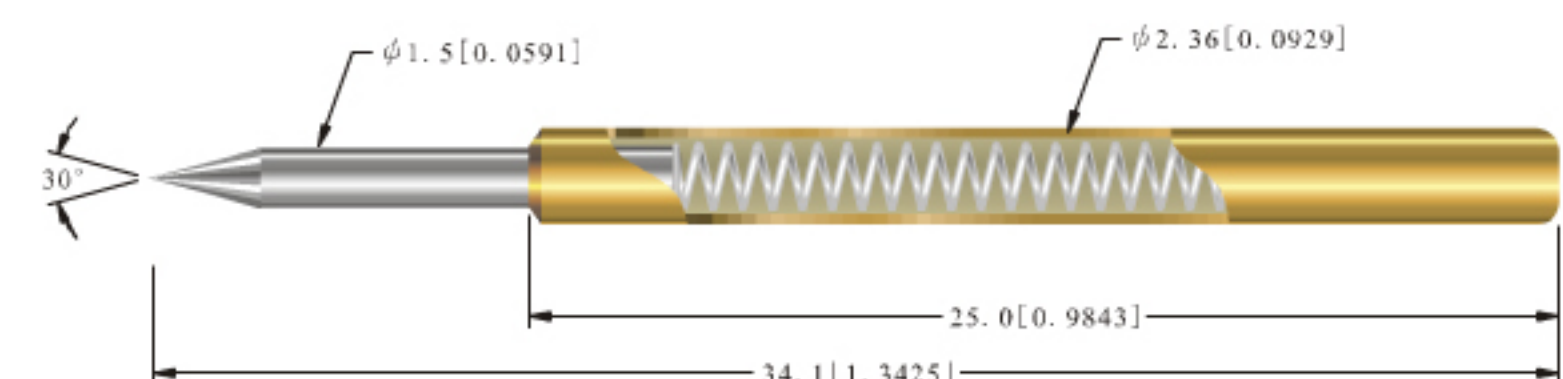


## CSP-11A

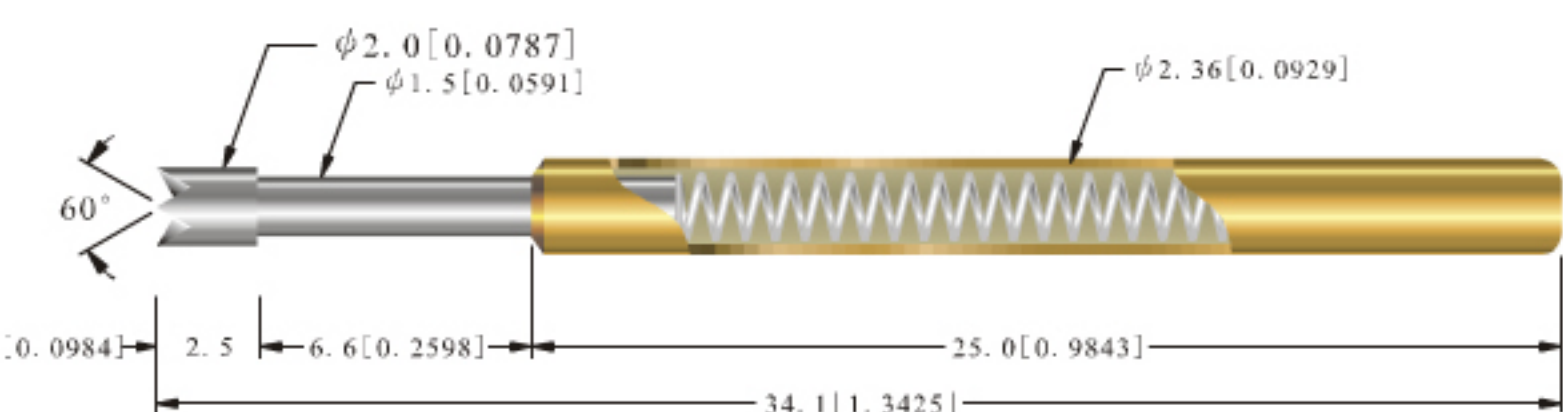
Unit: mm



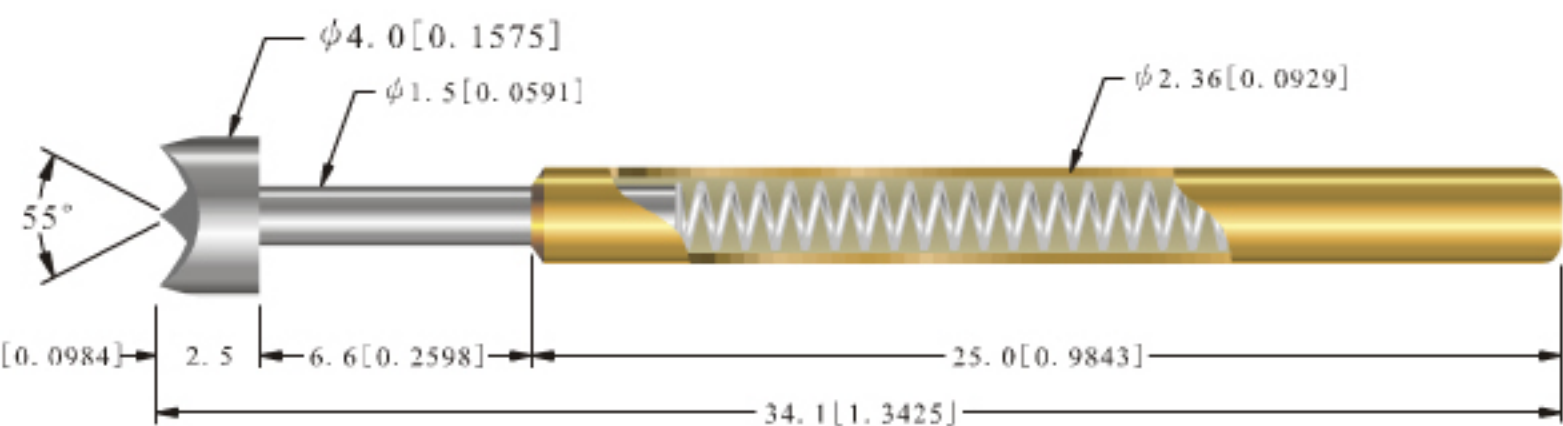
## CSP-11B



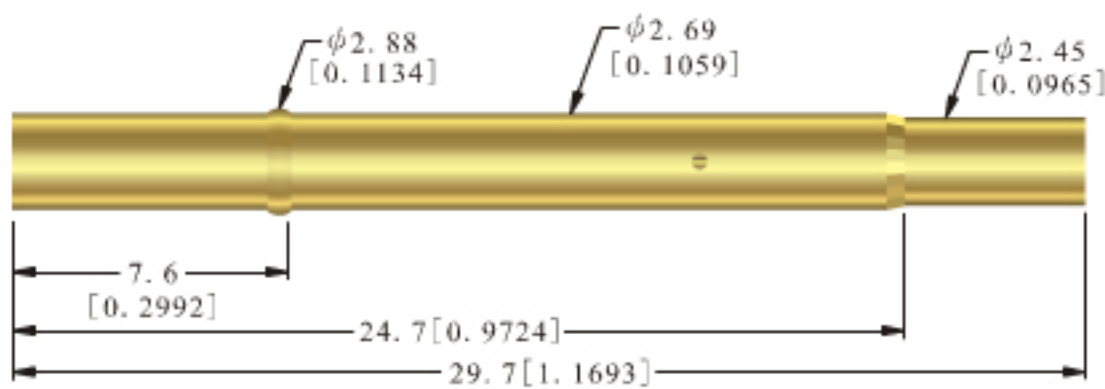
## CSP-11F



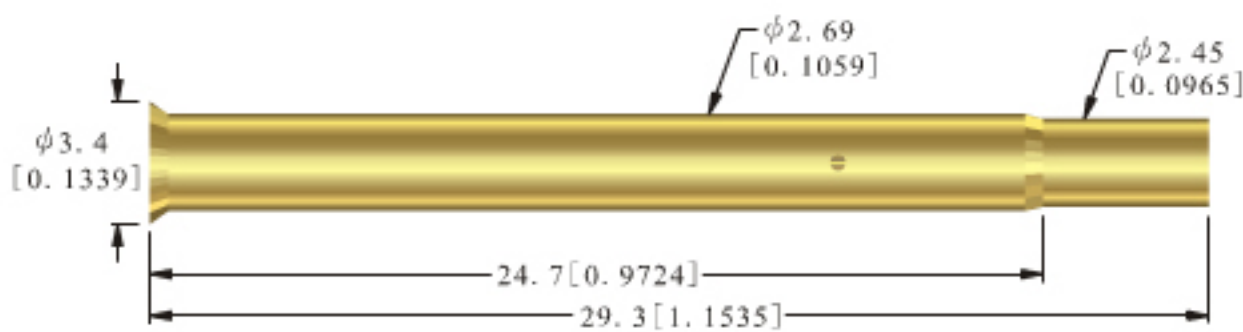
## CSP-11H



## CSR-11W1



## CSR-11V1



**Plunger:** Beryllium Copper with Rhodium Plated or Gold Plated

**Barrel:** Brass with Gold Plated

**Spring:** Stainless Steel

**Receptacle:** Brass with Gold Plated

<b>Min. Center:</b>	3.97 mm [0.1563 inch]	<b>Current Rating:</b>	5A
<b>Full Stroke:</b>	6.60 mm [0.2598 inch]	<b>Contact Resistance:</b>	30 m $\Omega$
<b>Full Stroke Spring Force (<math>\pm 20\%</math>):</b>	150 g [5.29oz]	<b>Recommended Hole Size:</b>	2.70 mm-2.75 mm [0.1063 inch]-[0.1083 inch]
<b>2/3 Stroke Spring Force (<math>\pm 20\%</math>):</b>	100 g [3.53oz]		