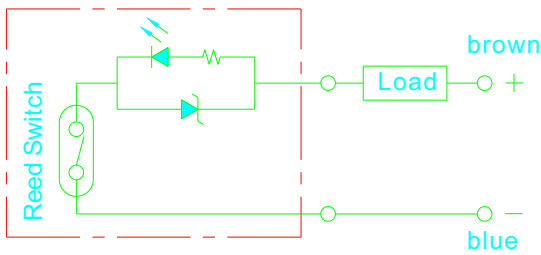


Specifications:

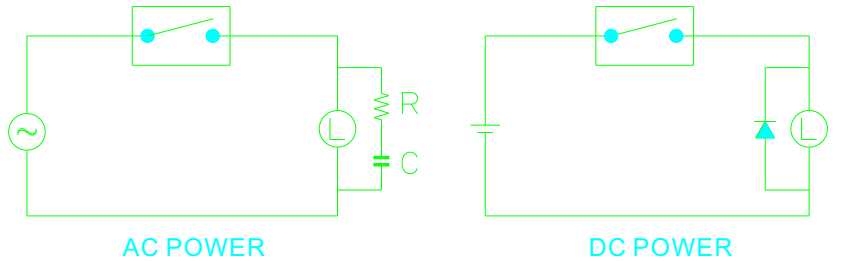
Type	Unit	CS-11N	CS-11P	CS-22
		Solid state switch		Reed switch
Wiring system		Three wire type		Two wire type
Load voltage	V	DC 5~30		DC/AC 5~240
Load current	mA	200(Max)		100(Max)
Internal voltage drop.	V	0.5(Max)		2.5(Max)
Temperature range	°C	-10~70		
Delay time	mS	ON+OFF<1		
Lead wire	M	2		
Protection degree		IP67		
Output		N.O. (NPN type)	N.O. (PNP type)	N.O.
Indicator lamp		Red	Green	Green



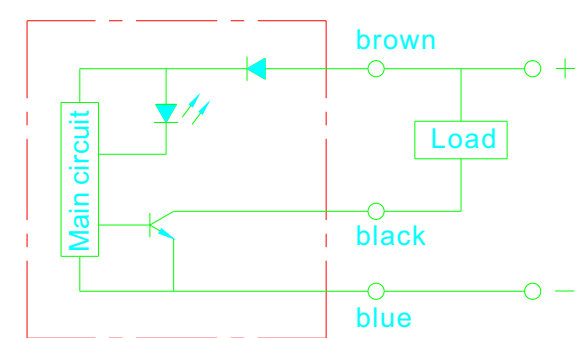
Wiring diagram (CS-22)



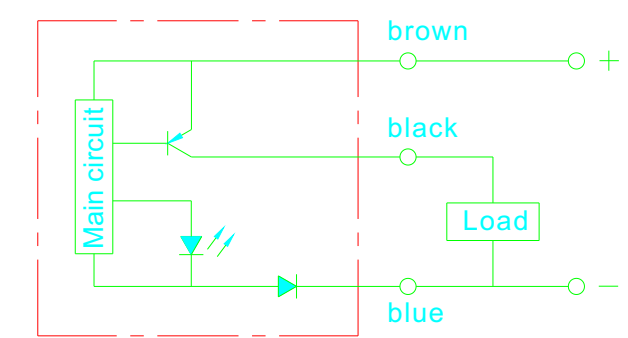
Additional external protection circuit



Wiring diagram (CS-11N)



Wiring diagram (CS-11P)



External Dimensions:

- CS-22, CS-11N, CS-11P

Cylinder series	Bore
AKS	40~80

