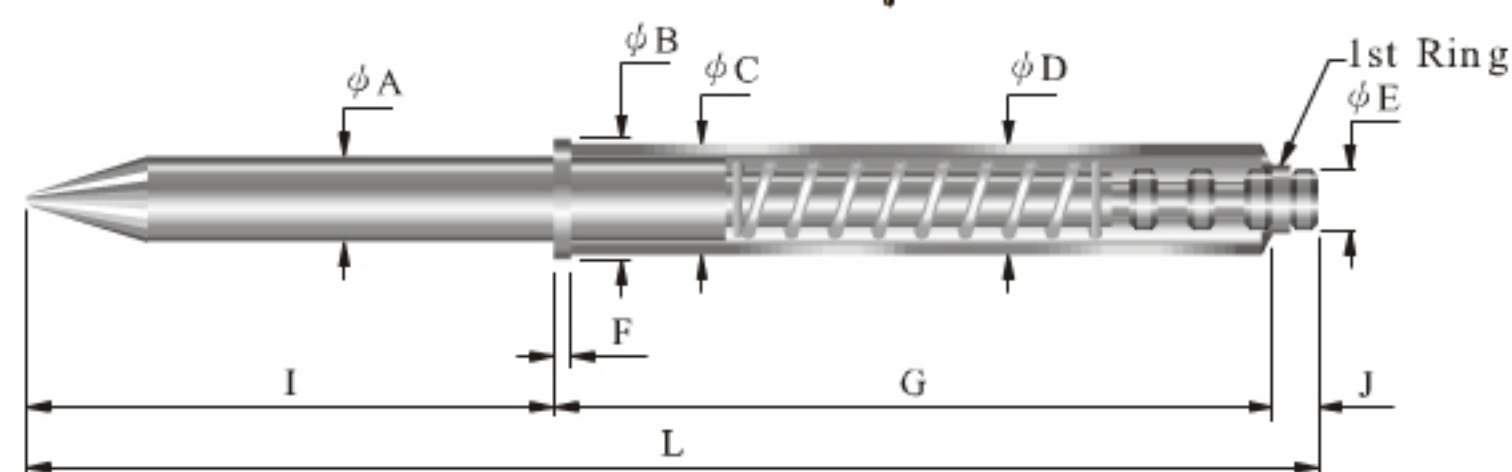
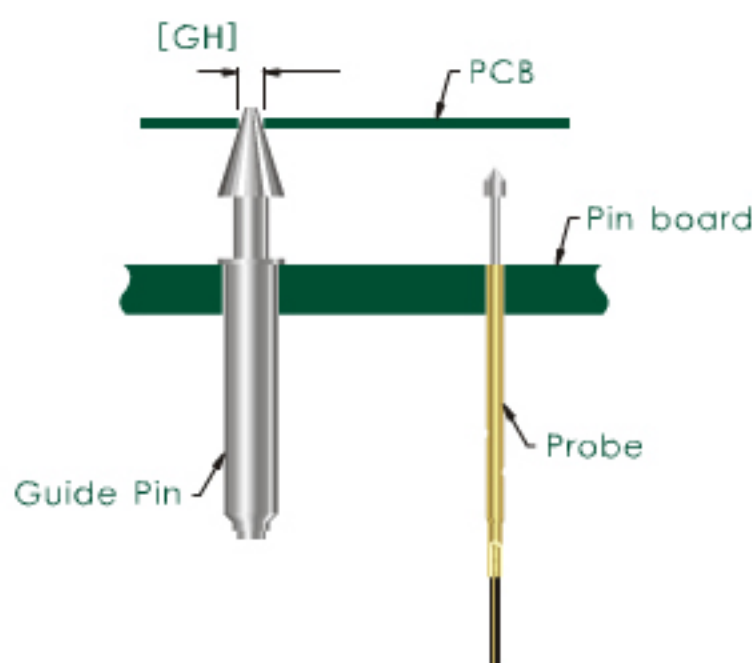


Recommended Hole Size	Full Stroke Spring Force (±20%)	2/3 Stroke Spring Force (±20%):	Suitable For
5.00mm [0.1969 inch]	300 g [10.58oz]	200 g [7.05oz]	CCP-15M3-23L
5.00mm [0.1969 inch]	350 g [12.34oz]	290 g [10.23oz]	CCP-10-16L CCP-101-16L P-25/P-111

Guide Pin (For Loaded Board)

Spec Type	ϕA	ϕB	ϕC	ϕD	ϕE	ϕF	ϕG	ϕH	ϕI	ϕJ	ϕK	O. D. P. CB [GH]
I1-6.0	1.00 [0.0394]	6.00 [0.2362]	3.67 [0.1445]	6.00 [0.2362]	5.00 [0.1969]	4.95 [0.1949]	2.48 [0.0976]	7.90 [0.3110]	20.60 [0.8110]	1.50 [0.0591]	35.00 [1.3780]	1.0/1.05mm [0.0394]/[0.0413]
GP-2J	1.00 [0.0394]	6.50 [0.2559]	3.68 [0.1449]	6.00 [0.2362]	5.00 [0.1969]	4.95 [0.1494]	2.53 [0.0996]	7.80 [0.3071]	13.80 [0.5433]	1.00 [0.0394]	25.00 [0.9843]	1.30/1.35mm [0.0512]/[0.0531]



Guide Pin (For Bare Board)

Spec Type	ϕA	ϕB	ϕC	ϕD	ϕE	F	G	L	O. D. PCB [I]	Recommended Hole Size	Full Stroke Spring Force (±20%)	2/3 Stroke Spring Force (±20%)	Suitable For
GP-1P	2.48 [0.0976]	3.50 [0.1378]	3.20 [0.1260]	3.15 [0.1240]	1.83 [0.0720]	0.50 [0.0197]	20.0 [0.7874]	32.80 [1.2913]	1.0/1.5mm [0.0394]/ [0.0591]	3.20mm [0.1260]	150 g [5.29oz]	100 g [3.5oz]	P-048 P-1 P-058 P-23 P-0
GP-2P	3.98 [0.1567]	5.50 [0.2165]	5.00 [0.1969]	4.95 [0.1949]	2.53 [0.0996]	0.50 [0.0197]	25.0 [0.9843]	38.60 [1.5197]	1.0/3.0mm [0.0394]/ [0.1181]	5.00mm [0.1969]	170 g [6.00oz]	120 g [4.23oz]	P-21 P-11
GP-3P	4.98 [0.1961]	7.00 [0.2756]	6.00 [0.2362]	5.95 [0.2343]	2.53 [0.0996]	0.50 [0.0197]	25.0 [0.9843]	38.50 [1.5157]	1.0/3.7mm [0.0394]/ [0.1457]	6.0mm [0.2362]	300 g [10.58oz]	220 g [7.76oz]	P-048 P-1 P-058 P-23 P-0
GP-5P	3.48 [0.1370]	5.00 [0.1969]	4.50 [0.1772]	4.45 [0.1752]	2.53 [0.0996]	0.50 [0.0197]	25.0 [0.9843]	39.40 [1.5512]	1.0/3.0mm [0.0394]/ [0.1181]	4.50mm [0.1772]	300 g [10.58oz]	230 g [8.11oz]	P-21 P-11

I	1st Ring	2nd	3rd	4th
GP-1P	11.6 [0.4567]	10.4 [0.4094]	9.2 [0.3622]	8.0 [0.3150]
GP-2P	12.15 [0.4783]	9.7 [0.3819]	7.25 [0.2854]	4.8 [0.1890]
GP-3P	12.25 [0.4823]	9.8 [0.3858]	7.35 [0.2894]	
GP-5P	12.95 [0.5098]	11.0 [0.4331]	9.05 [0.3563]	7.1 [0.2795]

J	1st Ring	2nd	3rd	4th
GP-1P	1.2 [0.0472]	2.4 [0.0945]	3.6 [0.1417]	4.8 [0.1890]
GP-2P	1.45 [0.0571]	3.9 [0.1535]	6.35 [0.2500]	8.8 [0.3465]
GP-3P	1.25 [0.0492]	3.7 [0.1457]	6.15 [0.2421]	
GP-5P	1.45 [0.0571]	3.4 [0.1339]	5.35 [0.2106]	7.3 [0.2874]