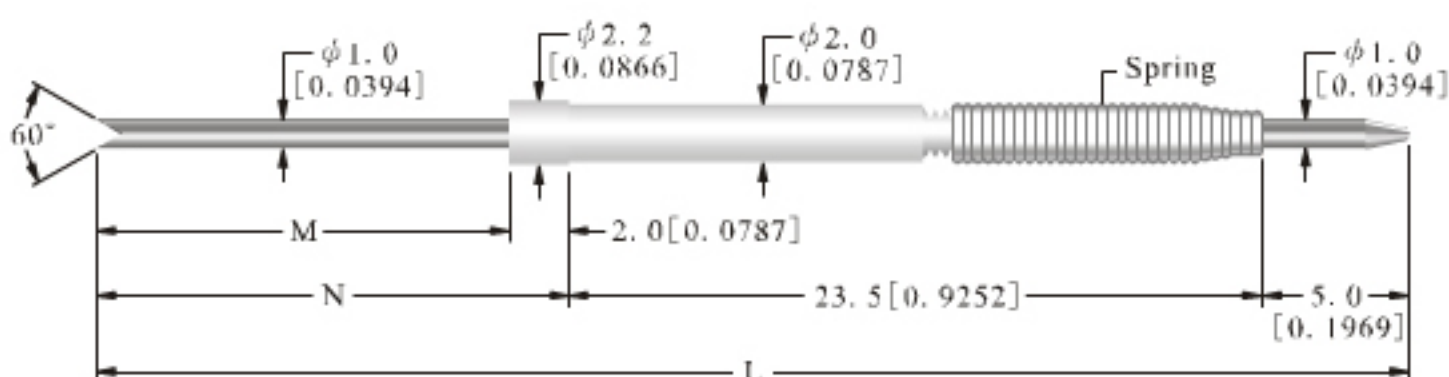


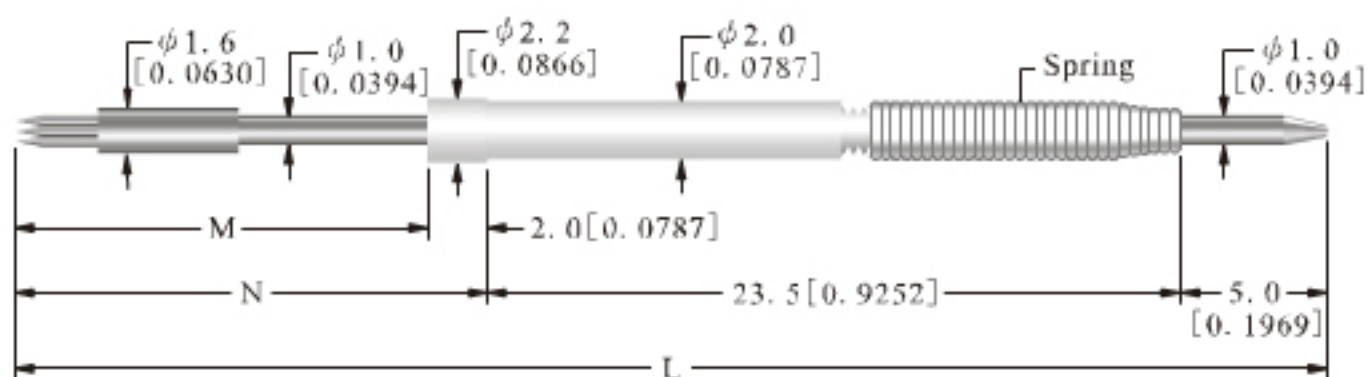
CCP-101B

Dimension Item No.	M	N	L
CCP-101B[16]	14[0.5512]	16[0.630]	44.5[1.7520]
CCP-101B[22]	20[0.7874]	22[0.8661]	50.5[1.9882]



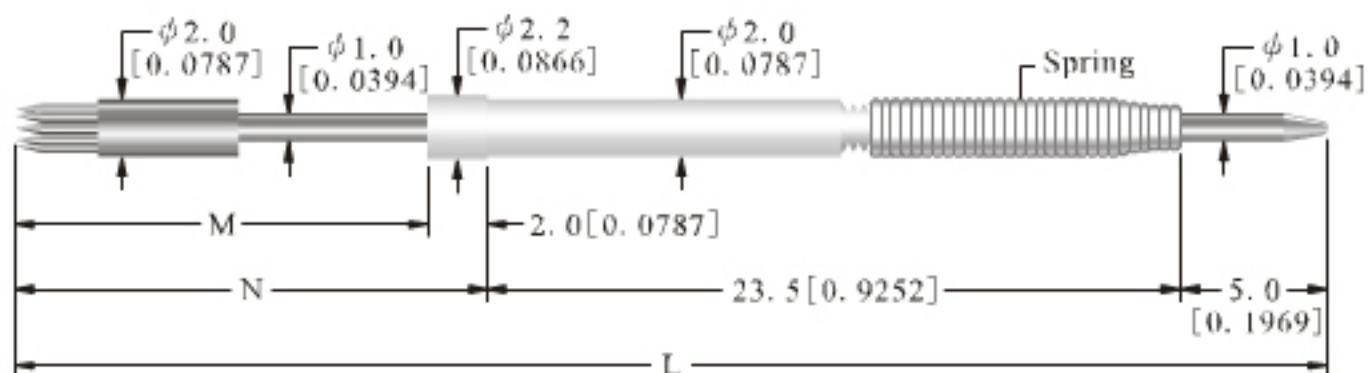
CCP-101F

Dimension Item No.	M	N	L
CCP-101F[16]	14[0.5512]	16[0.630]	44.5[1.7520]
CCP-101F[22]	20[0.7874]	22[0.8661]	50.5[1.9882]



CCP-101M3

Dimension Item No.	M	N	L
CCP-101M3[16]	14[0.5512]	16[0.630]	44.5[1.7520]
CCP-101M3[22]	20[0.7874]	22[0.8661]	50.5[1.9882]



CCP-101M7

Dimension Item No.	M	N	L
CCP-101M7[16]	14[0.5512]	16[0.630]	44.5[1.7520]
CCP-101M7[22]	20[0.7874]	22[0.8661]	50.5[1.9882]

Plunger: High Carbon Steel with Nickel Plated

Spring: Stainless Steel

Barrel: Antiwear Resin

Recommend Stroke:
6.0 mm[0.2362 inch]