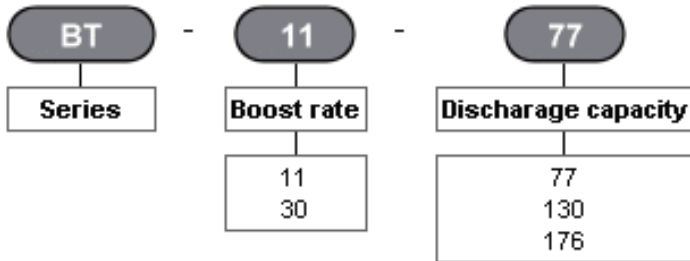


## Specifications:

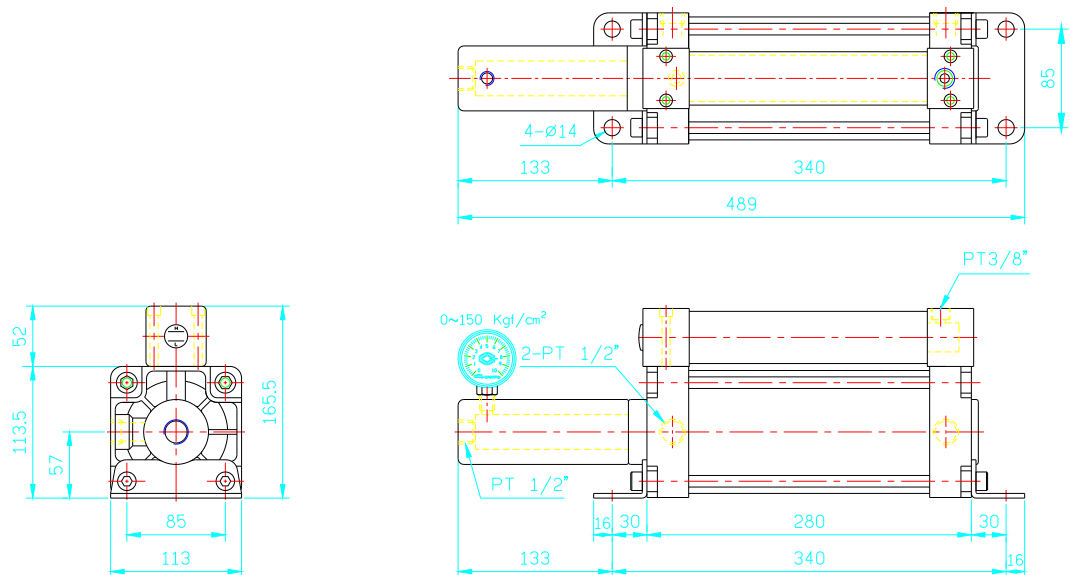
<b>Series</b>	BT-11-77	BT-30-77	BT-30-130	BT-30-176
<b>Discharge capacity</b>	77C.C	77C.C.	130C.C.	176C.C.
<b>Cycle time</b>	1 Sec	1.5 Sec	1.8 Sec	2.0 Sec
<b>Boost rate</b>	11	29		
<b>Normal discharge pressure</b>	70kgf/cm <sup>2</sup>	150kgf/cm <sup>2</sup>		
<b>Operating pressure</b>	2-9.9kgf/cm <sup>2</sup>			
<b>Proof pressure</b>	15kgf/cm <sup>2</sup>			



## How to order:



## External Dimensions: (BT-11)



## External Dimensions: (BT-30)

## Specifications:

Series	A	B	C
BT-30077	465	245	190
BT-30130	615	325	260
BT-30176	795	395	370

