

Features:

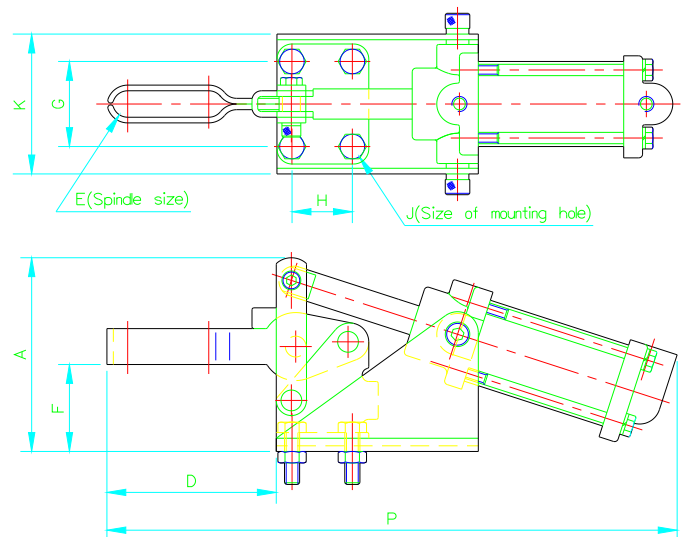
- Advanced design, Simple construction with sensitive response and working efficiency.
- Wide range of models to meet every kind of applications.
- Driven by low-pressure hydraulic system is available upon request.
- Toggle mechanism allow maximum clearance for ease of loading and unloading workpiece.
- Suitable for welding fixture, foaming mold, and sherever a component or an area of material has to be held in a positive location.



Specifications:

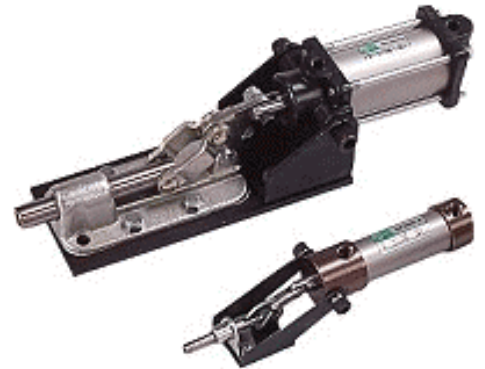
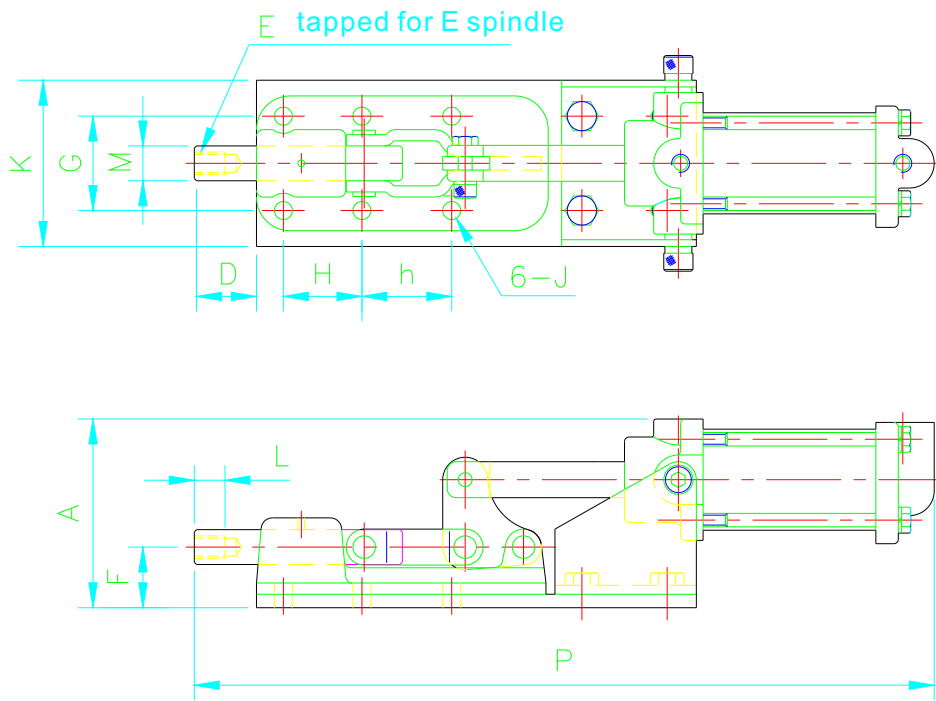
Model	Bore mm	Effective area cm ²	Max. pressure kgf/cm ²	Max. clamping force kg
BK-10101A	20	3.14	10	50
BK-12050A	30	7.07	10	91
BK-12130A	30	7.07	10	227
BK-12132A	30	7.07	10	227
BK-12265A	40	12.56	10	340
BK-12275A	40	12.56	10	340
BK-10247A	50	19.62	10	450
BK-10249A	50	19.62	10	450
BK-36301A	20	3.14	10	45
BK-36003A	30	7.07	10	272
BK-36330A	40	12.56	10	1136
BK-305EA	30	12.56	10	386
BK-702CA	30	7.07	10	200
BK-702DA	40	12.56	10	500

External Dimensions:

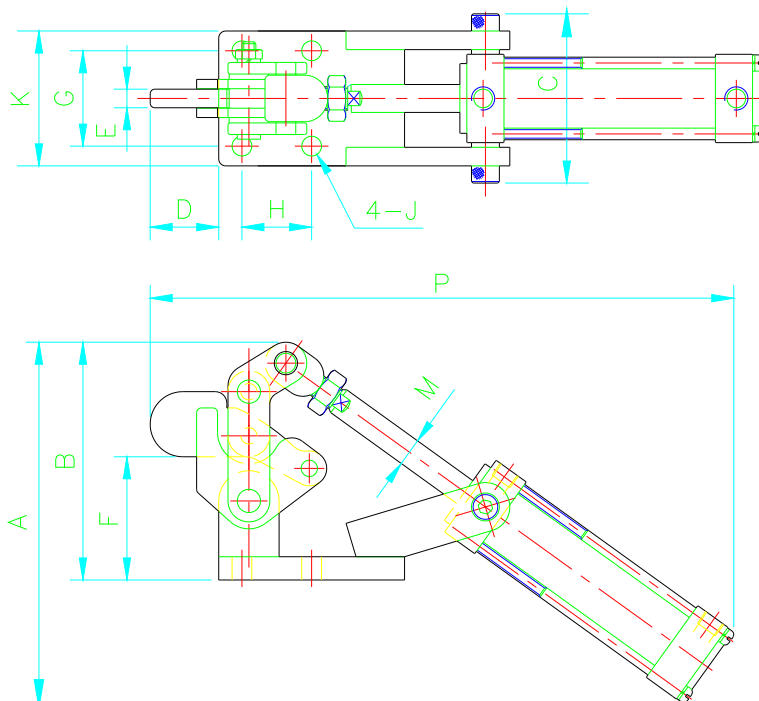


Model	P	A	D	E	F	G	H	J	K	Port size
BK-10101A	168.5	40.7	24	FC-10138	17.5	23.8	15.9	4.2	36.7	1/8PT
BK-12050A	185	55.7	35	FC-56212	27	27	12.7	5.2	49.4	1/8PT
BK-12130A	236.5	75.4	68	FC-56212	33.9	32	19	7.1	52.4	1/8PT
BK-12132A	260	75.3	88	FC-56212	34.2	32	19	7.1	52.4	1/8PT
BK-12265A	292	93.7	88.2	FC-38312	44.2	45.5	31.8	8.3	73	1/8PT
BK-12275A	302	93.7	88.2	FC-38312	44.2	45.5	31.8	8.3	73	1/8PT
BK-10247A	407	110	114.8	FC-12300	55.3	45.5	31.8	8.3	86.1	1/8PT
BK-10249A	407	110	114.8	FC-12300	55.3	45.5	31.8	8.3	86.1	1/8PT

External Dimensions:



Model	P	A	D	E	F	G	H	h	J	K	L	M	Port size
BK-36301A	187	40	32.2	SA-042007	13.6	15.9	15.9	-	#8	34	12	6.4	1/8PT
BK-36003A	250	69.5	58	SA-085012	27.7	33.3	36.5	-	4.8	61	19.7	11.1	1/8PT
BK-36330A	347	84	51.5	SA-106515	26.6	41.3	34.9	41.3	8	74	30	15.9	1/8PT
BK-305EA	306	77.2	75	SA-126517	34.8	41.3	41.3	-	8.7	66.7	23.6	15.9	1/8PT



Model	P	A	B	C	D	E	F	G	H	J	K	M	Port size
BK-702CA	260	185	103	80	27	8	58	41	30	8.5	58	12	1/8PT
BK-702DA	315	315	142	110	34	13	81	58	39	11	80	16	1/8PT