

BA 598 S



- Sensing distance on reflector $\varnothing 84$: 3 m
- Supply : 10 to 30 V DC
- Output : PNP



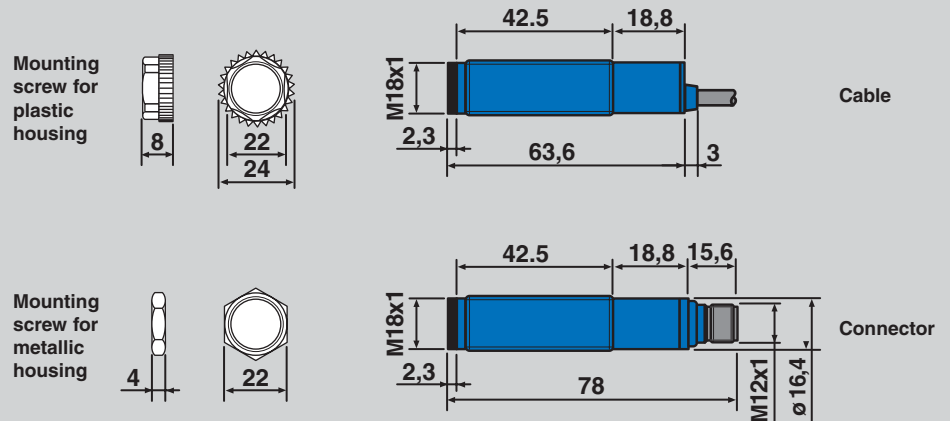
Description :

- Function indicator
- Direct or inverse output
- Output : PNP
- M12 connector or cable
- Polyamid or short cylindric metallic M18 housing

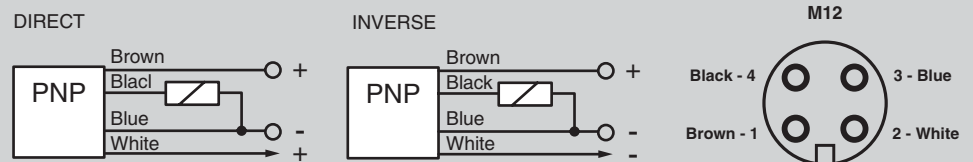
Applications :

- Detection of opaque parts on a conveyor.
- Control of position or presence of parts on assembly or conditioning machine.

Dimensions



Wiring Connections



Technical Information

Supply	voltage	10 / 30 VDC ripple < 10% within specified limits
	consumption	30 mA
Response time	switching frequency	250 Hz
Output	nominal intensity	100 mA
	residual voltage at 100 mA	1,2 V max.
Emission	LED	red
Temperature	operating	-25 to 70 °C
	storage	-20 to 70 °C
External light immunity	incandescent light	3 000 lux
	sunlight	10 000 lux
Protections	output	short-circuit, inverse polarity protection
	degree of protection	IP 67

To Place Order

Product		Reference	
(Please, enquire for other types)	Retro-reflex polarised axial sensor		BAP 598 (S) - cable - plastic BAP C0 598 (S) - M12 connector - plastic BAM C0 598 (S) - M12 connector- metal

BL 598 S

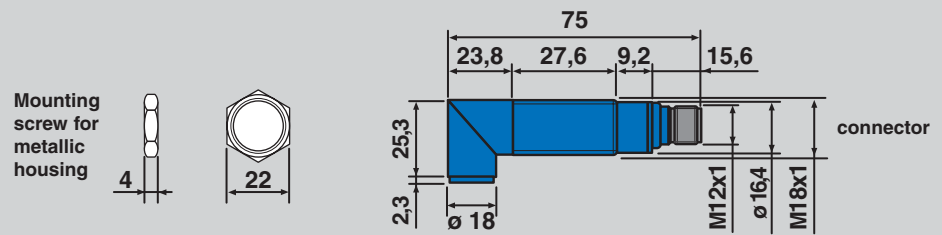
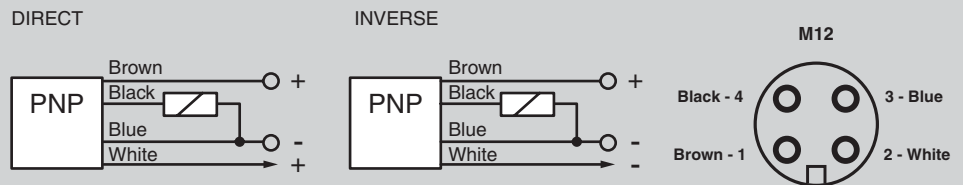

- Sensing distance on reflector $\varnothing 84$: 3 m
- Supply : 10 to 30 V DC
- Output : PNP


Description :

- Right angle optic
- Function indicator
- Direct or inverse output
- Output : PNP
- M12 connector or cable
- Polyamid or short cylindric metallic M18 housing

Applications :

- Detection of reflecting or shiny parts.
- Detection of parts on a conveyor.

Dimensions

Wiring Connections

Technical Information

Supply	voltage	10 / 30 VDC ripple < 10% within specified limits
	consumption	30 mA
Response time	switching frequency	250 Hz
Output	nominal intensity	100 mA
	residual voltage at 100 mA	1,2 V max.
Emission	LED	red
Temperature	operating	-25 to 70 °C
	storage	-20 to 70 °C
External light immunity	incandescent light	3 000 lux
	sunlight	10 000 lux
Protections	output	short-circuit, inverse polarity protection
	degree of protection	IP 67

To Place Order

Product (Please, enquire for other types)	Retro-reflex polarised lateral sensor	Reference	BLM C0 598 (S) - PNP output - M12 connector - metal
	Cable		