






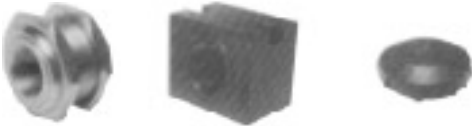
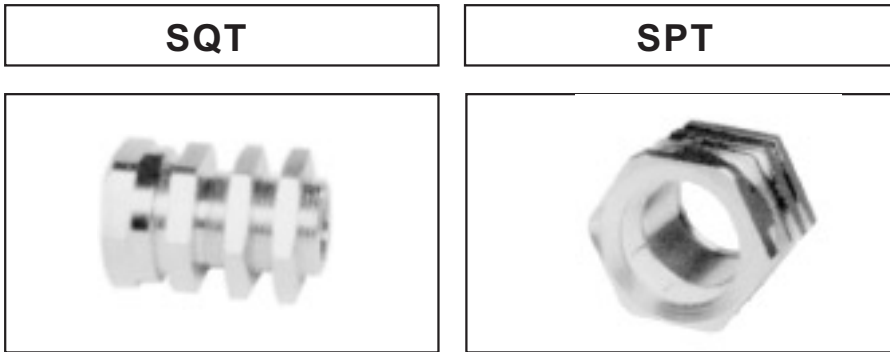


Product Selection Guide

<p>Quicktube & Proxtube SQT and SPT For tubular controls</p>		<p>👉 Page. Aa-02</p>
<p>Block Mounts SBM For tubular controls</p>		<p>👉 Page. Aa-03</p>
<p>Angle Brackets SRAB and SAB For tubular controls</p>		<p>👉 Page. Aa-04</p>
<p>Banking Screw Adapters SBSA For shielded inductive sensors</p>		<p>👉 Page. Aa-05</p>
<p>Conduit Adapters SCA For tubular controls</p>		<p>👉 Page. Aa-06</p>
<p>Flat Brackets SFRAB and SFB For tubular controls</p>		<p>👉 Page. Aa-07</p>
<p>Swivel- style Universal Bracket SSUB For threaded controls</p>		<p>👉 Page. Aa-08</p>
<p>Cushioned Sensor Mounts SSN and SSNB For tubular controls</p>		<p>👉 Page. Aa-09</p>

Quicktube & Proxtube



Features

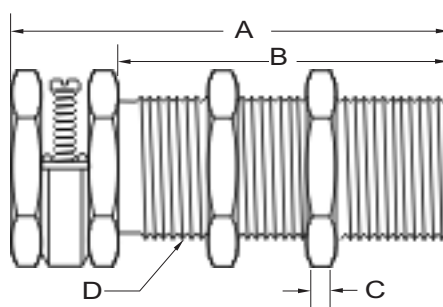
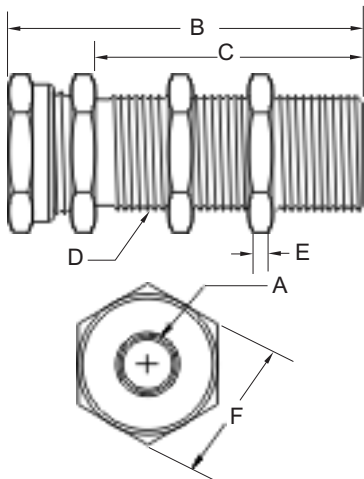
- Collet-style locknut secures sensor
- Integral stop shoulder maintains target gap
- 8, 12, 18 and 30mm sizes
- Short or long barrel lengths

Benefits

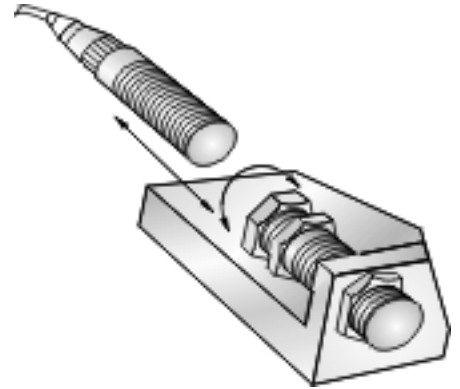
- Housing protects sensor form physical impact
- Sensor change-out is fast, no adjustments required
- Target/ product can rest on sensor face
- New applications sensors

MODEL	SQT-08	SQT-08L	SQT-12	SQT-12L	SQT-18	SQT-18L	SQT-30	SQT-30L
A	8.18 (0.32)	12.1 (0.48)	18.1 (0.71)	30.1 (1.19)				
B	32.4 (1.28)	48.0 (1.90)	33.7 (1.34)	44.8 (1.76)	38.5 (1.52)	58.0 (2.28)	35.0 (1.50)	58.0 (2.28)
C	17.5 (0.69)	34.0 (1.34)	19.5 (0.77)	30.0 (1.18)	20.0 (0.79)	40.0 (1.57)	20.0 (0.79)	40.0 (1.57)
D	M12x1	M16x1	M24x1.5	M36x1.5				
E	3.85 (0.15)	4.01 (0.16)	4.95 (0.19)	6.13 (0.24)				
F	16.9 (0.67)	21.8 (0.86)	30.0 (1.18)	41.0 (1.61)				

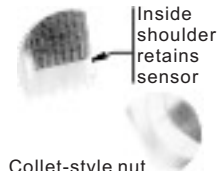
Mode	SPT-12	SPT-18	SPT-30
Sensor	M12	M18	M30
A	30.5 (1.20)	36.0 (1.42)	40.0 (1.57)
B	16.0 (0.63)	18.0 (0.71)	
C	4.82 (0.19)		
OD Thrd	PG9	PG16	PG29



Quicktube

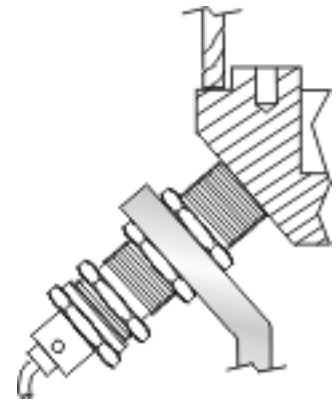


Unique features

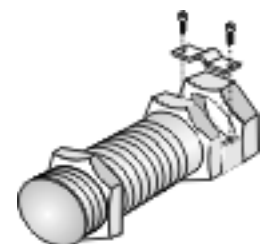


Collet-style nut secures sensor quickly

Use as a "Smart Rest Pad"



ProxTube

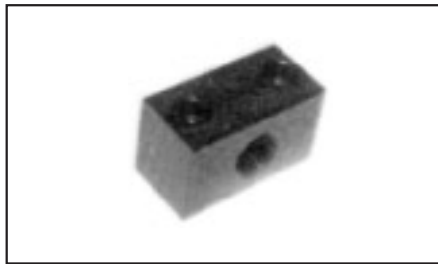


Block Mounts

SBM-MS



SBM-MT



SBM-PS



Features

- Three styles
- Sizes for most tubular sensor diameters
- Anodized aluminum or glass-filled nylon

Benefits

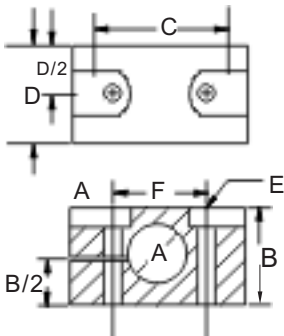
- Off-the-shelf mounting solution
- Secure attachment methods
- Easy installation

MODEL	SBM-MS-08	SBM-MS-12	SBM-MS-18	SBM-MS-30
A	8.05 (0.32)	12.1 (0.48)	18.4 (0.71)	30.1 (1.19)
B	15.8 (0.62)	22.2 (0.87)	31.7 (1.25)	50.8 (2.00)
C	25.4 (1.00)	38.1 (1.50)	44.5 (1.75)	63.5 (2.50)
D	19.0 (0.75)	19.0 (0.75)	25.4 (1.00)	34.9 (1.38)
E	18.4 (0.72)	24.8 (0.98)	34.3 (1.35)	51.5 (2.03)
F	3.58 (0.14)	5.08 (0.20)	6.61 (0.25)	6.73 (0.26)

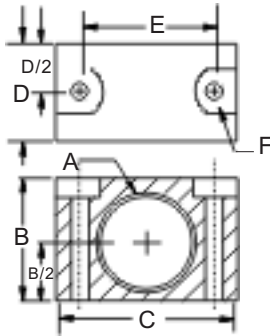
MODEL	SBM-MT-08	SBM-MT-12	SBM-MT-18	SBM-MT-30
A	M8x1	M12x1	M18x1	M30x1.5
B	15.8 (0.62)	22.2 (0.87)	31.7 (1.25)	50.8 (2.00)
C	25.4 (1.00)	38.1 (1.50)	44.5 (1.75)	63.5 (2.50)
D	19.0 (0.75)	19.0 (0.75)	25.4 (1.00)	34.9 (1.38)
E	18.4 (0.72)	24.8 (0.98)	34.3 (1.35)	51.5 (2.03)
F	3.58 (0.14)	5.08 (0.20)	6.61 (0.25)	6.73 (0.26)

MODEL	SBM-PS-08	SBM-PS-12	SBM-PS-16	SBM-PS-18	SBM-PS-20	SBM-PS-22	SBM-PS-30	SBM-PS-36
A	8.05 (0.32)	12.1 (0.48)	16.1 (0.63)	18.1 (0.71)	20.1 (0.79)	22.1 (0.87)	30.1 (1.18)	36.1 (1.42)
B	27.0 (1.06)	32.0 (1.26)	36.0 (1.42)	45.0 (1.77)	55.0 (2.17)	61.0 (2.40)		
C	16.0 (0.63)	20.0 (0.97)	26.0 (1.02)	30.0 (1.18)	38.0 (1.50)	44.0 (1.73)		
D	12.0 (0.47)	12.0 (0.47)	12.0 (0.47)	15.0 (0.59)	18.0 (0.71)	18.0 (0.71)		
E	17.0 (0.67)	22.0 (0.87)	26.0 (1.02)	32.0 (1.26)	42.0 (1.65)	48.0 (1.89)		
F	4.50 (0.18)	4.50 (0.18)	4.50 (0.18)	5.50 (0.22)	5.50 (0.22)	5.50 (0.22)		

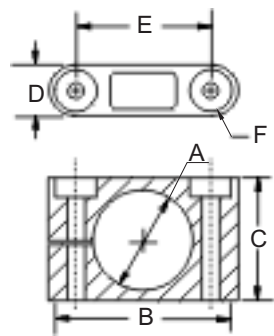
Metal
Slotted



Metal
Threaded

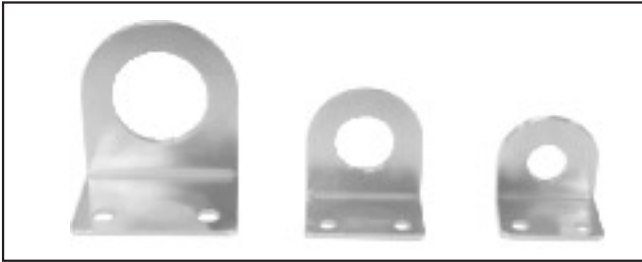


Metal
Slotted

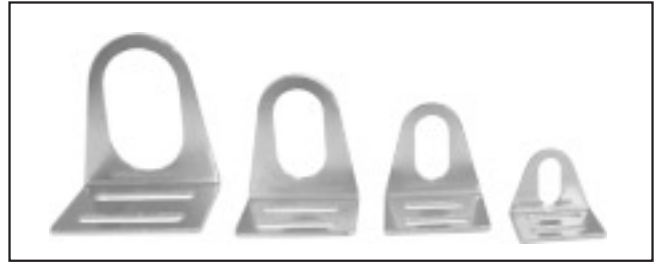


Angle Brackets

SAB



SRAB



Features

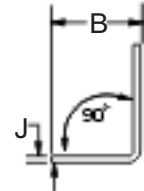
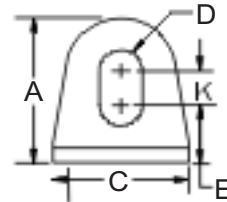
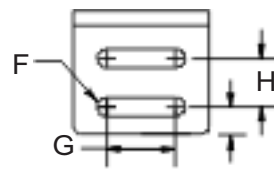
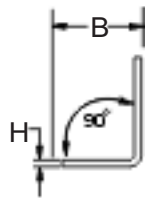
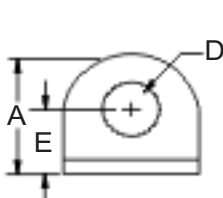
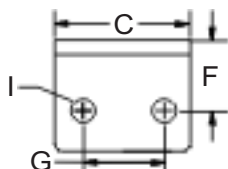
- Multi-slotted for positioning versatility
- Each model is sized proportionally to sensor
- Zinc-plated CRS or 303 stainless steel

Benefits

- Eliminate hassles-source from our stock
- Rapid installation, setup and future adjustments
- Industry standard mounting footprint

MODEL	SAB-12	SAB-18	SAB-22	SAB-30	SAB-47
A	28.6 (1.13)	38.1 (1.50)	38.1 (1.50)	54.0 (2.13)	69.9 (2.75)
B	25.4 (1.00)		38.1 (1.50)		
C	3.18 (1.25)	34.9 (1.38)		50.8 (2.00)	63.5 (2.50)
D	12.1 (0.48)	18.1 (0.71)	22.1 (0.87)	30.1 (1.19)	47.2 (1.85)
E	13.5 (0.53)	19.8 (0.78)		30.1 (1.19)	47.2 (1.85)
F	19.8 (0.78)		28.7 (1.13)		
G	19.1 (0.75)	22.2 (0.88)		31.8 (1.25)	38.1 (1.50)
H	3.18 (0.13)				

MODEL	SRAB-08	SRAB-12	SRAB-18	SRAB-22	SRAB-30	SRAB-47
A	25.4 (1.00)	28.7 (1.13)	50.8 (2.00)		63.5 (2.50)	88.9 (3.50)
B	28.7 (1.13)	34.8 (1.37)			44.5 (1.75)	50.8 (2.00)
C	31.8 (1.25)	38.1 (1.50)	44.5 (1.75)		57.2 (2.25)	63.5 (2.50)
D	8.74 (0.34)	12.7 (0.50)	19.1 (.750)	22.2 (.876)	30.5 (1.18)	25.4 (1.87)
E	7.92 (0.31)	13.9 (0.55)		17.4 (.685)	23.0 (0.91)	38.1 (1.50)
F	5.54 (0.22)				(7.14) (0.28)	
G	15.9 (.625)	19.1 (.750)	25.4 (1.00)	34.8 (1.37)	38.1 (1.50)	
H	11.9 (.468)	14.3 (.563)	14.3 (.563)	20.6 (.812)	25.4 (1.00)	
I	7.1 (.281)	7.92 (.312)	7.92 (.312)	10.3 (.406)	12.7 (.500)	
J	1.78 (0.07)				2.16 (0.09)	3.05 (.120)
K	9.53 (0.38)	12.7 (0.50)	15.9 (0.63)		19.1 (0.75)	



Banking Screw Adapter

SBSA



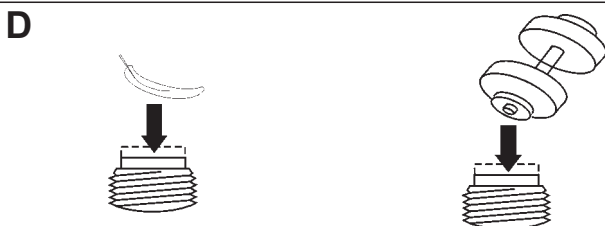
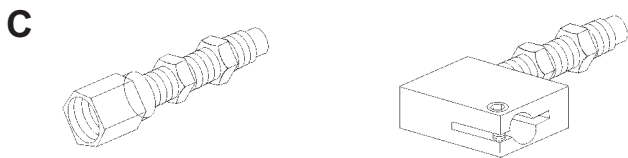
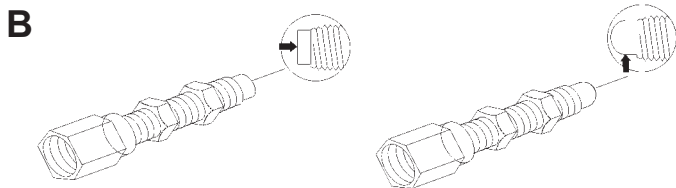
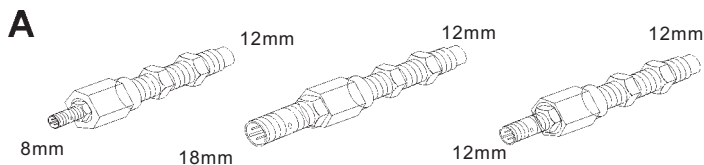
Features

- Heat-treated alloy steel construction
- Mix & match with different sensors
- Optional ball-end piston & spring rates
- Three diameters and many barrel lengths

Benefits

- Stop travel and sense with one device
- Versatile outputs using any shielded sensor
- Isolates sensor from impact damage
- New applications for proximity sensors

Options (A thru D)

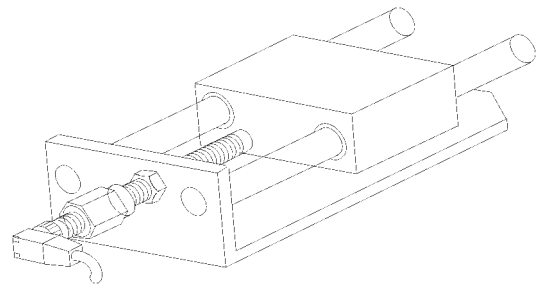


Head-treated Stop Screws

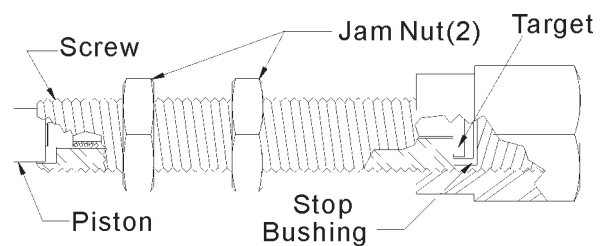


Typical Application

Shown at right, a BSA is used as a reliable and rugged stop for a linear slide unit. Accurate and easy adjustments to the end of stroke position are possible, and any shielded proximity sensor can be used.



BSA Construction & Operation



Conduit Adapters

SCA-R



SCA-H

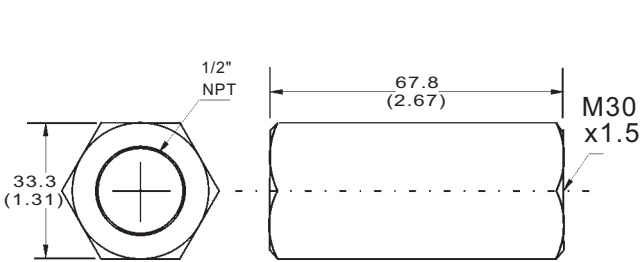


Features

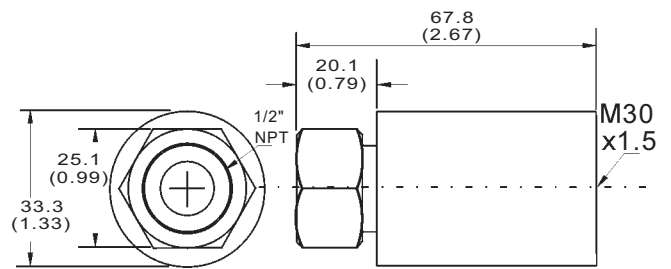
- Round steel or Hex aluminum styles
- Fully threaded to accommodate all sensors
- Sizes for 12, 18 and 30mm sensor

Benefits

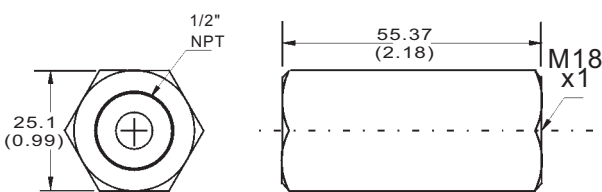
- Protect sensor cables from damage
- Meet wiring codes with ease
- Stock solutions for you sensor applications



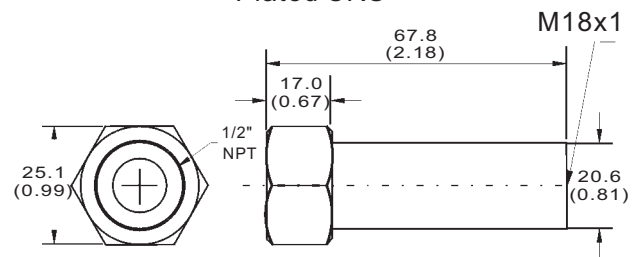
30mm Hex
Model No.:SCA-R-30
 Plated CRS



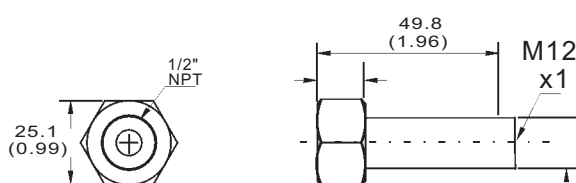
30mm Round
Model No.:SCA-H-30
 Plated CRS



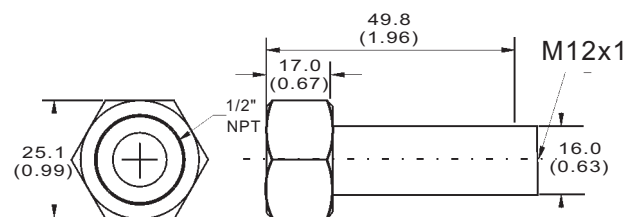
18mm Hex
Model No.:SCA-R-18
 Plated CRS



18mm Round
Model No.:SCA-H-18
 Plated CRS



12mm Hex
Model No.:SCA-R-12
 Plated CRS



12mm Round
Model No.:SCA-H-12
 Plated CRS

Flat Brackets

SFB



SFRAB



Features

- Multi-slotted or limited adjustability models
- Brackets are sized proportionally to sensor
- Zinc-plated CRS or 303 stainless steel

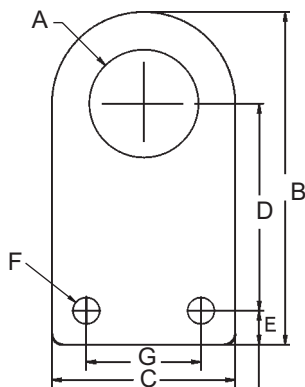
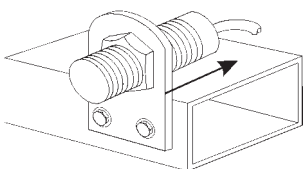
Benefits

- Eliminate design hassles, source from our stock
- Easy to use with positioning flexibility
- Industry standard mounting footprint

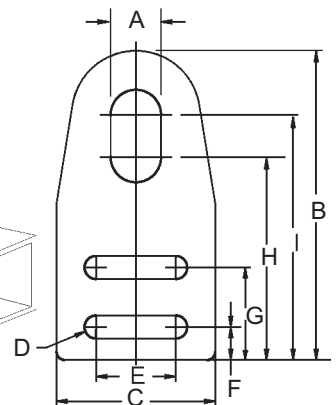
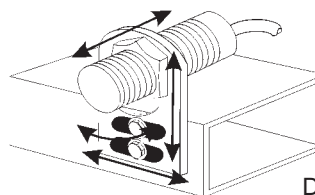
MODEL	SFB-12	SFB-18	SFB-22	SFB-30	SFB-47
A	12.1 (0.48)	18.1 (0.71)	22.1 (0.87)	30.1 (1.19)	47.2 (1.86)
B	54.4 (2.14)	65.0 (2.56)		92.2 (3.63)	108 (4.26)
C	3.18 (1.25)	34.9 (1.38)	50.8 (2.00)	63.5 (2.50)	
D	25.4 (1.00)	39.6 (1.56)	57.4 (2.26)	68.1 (2.68)	
E	13.1 (0.52)	7.93 (0.31)	9.40 (0.37)	9.65 (0.38)	
F	55.4 (0.22)		7.14 (0.28)		
G	19.1 (0.75)	22.2 (0.88)	31.8 (1.25)	38.1 (1.50)	
Thickness	3.18 (0.13)				

MODEL	SFRAB-08	SFRAB-12	SFRAB-18	SFRAB-22	SFRAB-30	SFRAB-47
A	8.10 (0.32)	12.1 (0.48)	18.1 (0.71)	22.1 (0.87)	30.1 (1.19)	47.1 (1.86)
B	55.4 (2.18)	74.2 (2.92)	86.9 (3.42)		109 (4.30)	141 (5.55)
C	31.8 (1.25)	38.1 (1.50)	44.5 (1.75)		57.2 (2.25)	63.5 (2.50)
D	5.54 (0.22)				7.14 (0.28)	
E	15.9 (0.63)	19.1 (0.75)	25.4 (1.00)		34.8 (1.37)	38.1 (1.50)
F	7.14 (0.28)	7.92 (0.31)			10.3 (0.41)	12.7 (0.50)
G	19.0 (0.75)	22.2 (0.86)		30.9 (1.21)	38.1 (1.50)	
H	36.6 (1.44)	48.7 (1.91)	53.9 (2.12)	52.2 (2.05)	67.5 (2.65)	88.9 (3.50)
I	46.2 (1.82)	58.8 (2.31)	68.1 (2.68)	65.7 (2.59)	84.5 (3.33)	108 (4.25)
J	1.78 (0.07)				2.16 (0.095)	3.05 (0.12)

SFB



SFRAB

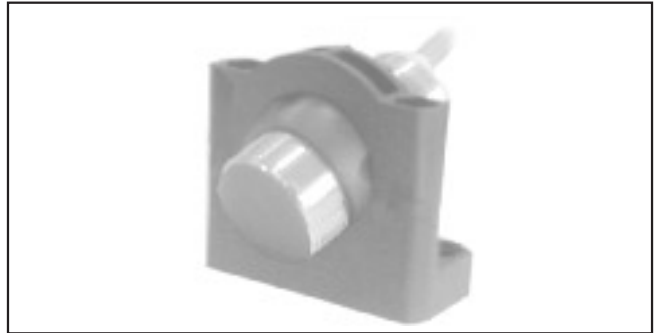


Swivel- style Universal

SSUB-18



SSUB-30



Features

- Durable Glass-filled Nylon Construction
- Regular or Extended Base Models
- Sizes for 18 and 30mm Threaded Sensors

Benefits

- Easy Sensor Installation and Setup
- Corrosion-Resistant
- Stock Mounting Solutions

Swivel- style Universal

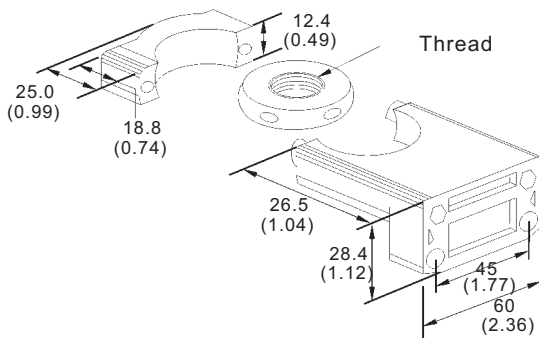
Used attach limit switch style (18mm 30mm threaded base)

Achieve secure mounting with these durable, glass-filled nylon, brackets

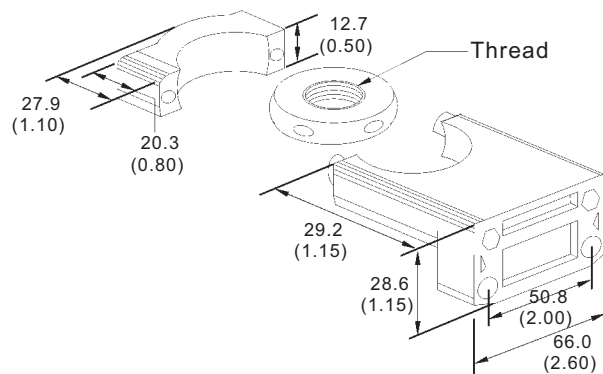
Mode	Thread
SSUB-18	M18x1
SSUB-30	M30x1.5



Mode:SSUB-18



Mode:SSUB-30



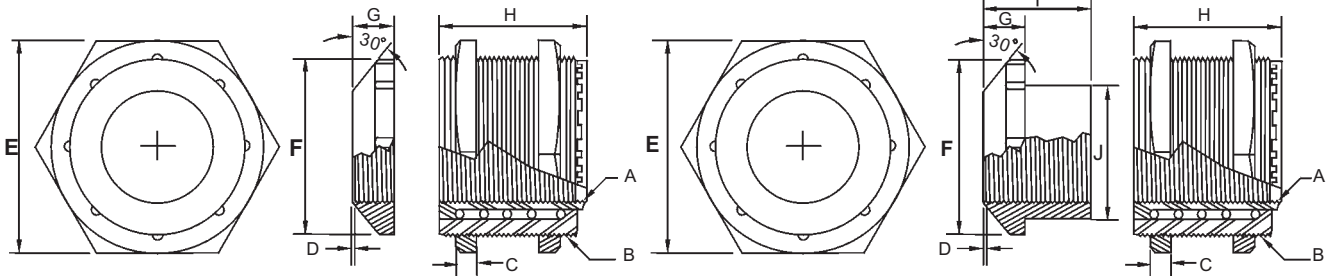
Cushioned Sensor Mounts

Mode	A	B	C	D	E	F	G	H	I	J	O	
SSN-08	M8x1	M16x1.5	3.10 (1.5)	0.25 (0.01)	2.1 (0.87)	15.1 (0.59)	5.10 (0.20)	22.1 (0.87)	N/A	N/A	9.04 (0.35)	
SSN-08N									9.51 (0.37)	11.00 (0.43)		
SSN-12-LP	M12x1	M18x1	3.94 (0.16)	0.75 (0.03)	24.0 (0.95)	21.8 (0.86)	6.22 (0.25)	21.1 (0.83)	N/A	N/A	12.1 (0.48)	
SSN-12N-LP									17.3 (0.68)	14.9 (0.58)		
SSN-12		M22x1.5	3.94 (0.16)		28.9 (1.16)	35.0 (1.38)	30.0 (1.18)	8.50 (0.33)	30.0 (1.18)	N/A	N/A	10.4 (0.41)
SSN-12N										17.3 (0.88)	14.9 (0.58)	
SSN-18	M18x1	M30x1.5	5.00 (0.20)	51.0 (2.01)	44.5 (1.75)	7.50 (0.30)	37.4 (1.47)	N/A	N/A	12.0 (0.47)		
SSN-18N								17.3 (0.88)	14.9 (0.96)			
SSN-30	M30x1.5	M47x1.5	5.00 (0.20)	1.27 (0.05)	51.0 (2.01)	44.5 (1.75)	7.50 (0.30)	37.4 (1.47)	N/A	N/A	15.2 (0.80)	
SSN-30N									20.0 (0.79)	38.6 (1.52)		

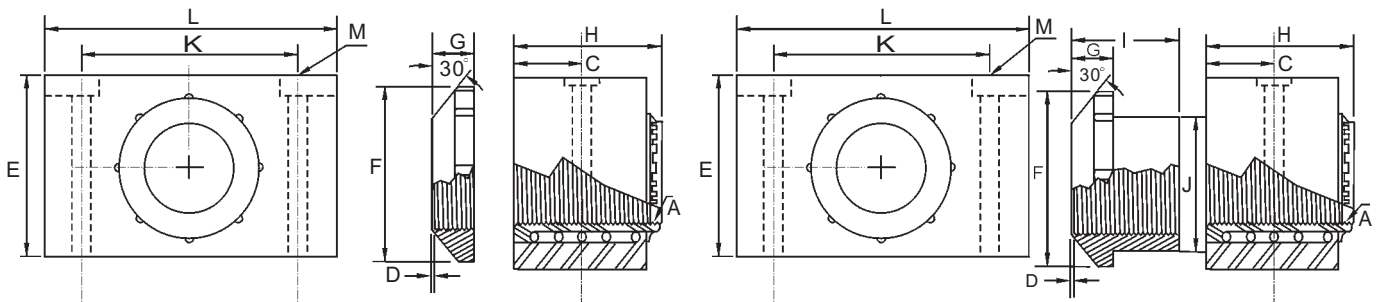
Top chart is for round, threaded models. The bottom chart is for block-style models, with a "N" after the ID bore thread size are for nonshielded sensors and correspond to the figures on the right side (below each chart).

Caps are plastic and mount housings are anodized aluminum, except SSN-12-LP and SSN-12-LP are stainless steel. Round threaded models are also available in stainless steel, add "SS" to the model number

"O" in tables is total Allowable over travel.



Mode	A	B	C	D	E	F	G	H	I	J	K	L	M	O
SSNB-08	M8x1	19.0 (0.75)	9.52 (0.37)	0.25 (0.01)	15.8 (0.62)	15.1 (0.59)	5.10 (0.20)	22.1 (0.87)	N/A	N/A	18.4 (0.72)	25.4 (1.00)	3.58 (0.14)	9.04 (0.35)
SSNB-08N									9.51 (0.37)	11.00 (0.43)				
SSNB-12	M12x1	19.0 (0.75)	9.39 (0.37)	0.75 (0.03)	2.22 (0.87)	21.8 (0.86)	6.22 (0.25)	21.1 (0.87)	N/A	N/A	24.8 (0.98)	38.1 (1.50)	5.08 (0.20)	10.4 (0.41)
SSNB-12N									17.3 (0.68)	14.9 (0.58)				
SSNB-18	M18x1	25.4 (1.00)	12.7 (0.50)	0.75 (0.03)	31.7 (1.25)	30.0 (1.18)	8.50 (0.33)	30.0 (1.18)	N/A	N/A	34.3 (1.35)	44.5 (1.75)	6.61 (0.25)	12.0 (0.47)
SSNB-18N									17.3 (0.88)	24.0 (0.96)				
SSNB-30	M30x1.5	34.9 (1.38)	17.5 (0.68)	1.27 (0.05)	50.8 (2.00)	44.5 (1.75)	7.50 (0.30)	37.4 (1.47)	N/A	N/A	51.5 (2.03)	63.5 (2.50)	6.73 (0.26)	15.2 (0.80)
SSNB-30N									20.0 (0.79)	38.6 (1.52)				



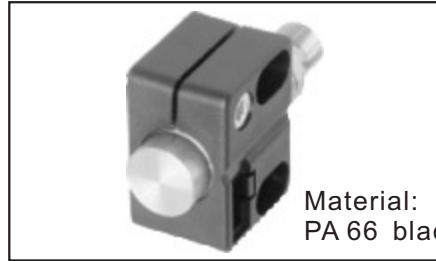
● Mounting clamps

SMC-S



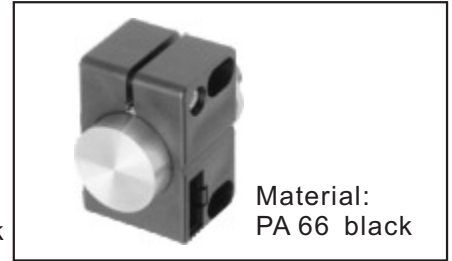
Material:
PA 66 black

SMC-M



Material:
PA 66 black

SMC-B



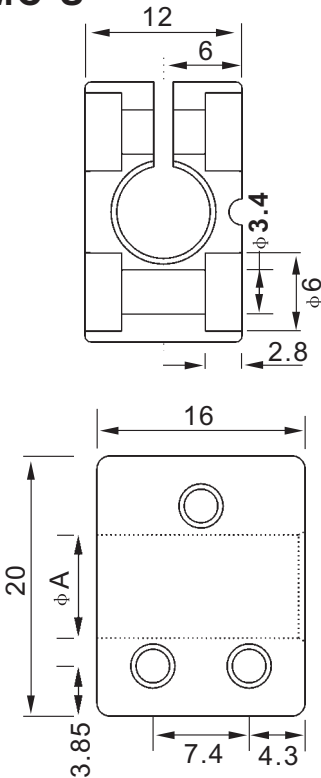
Material:
PA 66 black

MODEL	A	TYPE
SMC-S-03	φ 3	Without limit stop
SMC-S-04	φ 4	Without limit stop
SMC-S-05	φ 5	Without limit stop
SMC-S-6.5	φ 6.5	Without limit stop
SMC-S-08	φ 8	Without limit stop
SMC-S-W8	φ 8	With limit stop

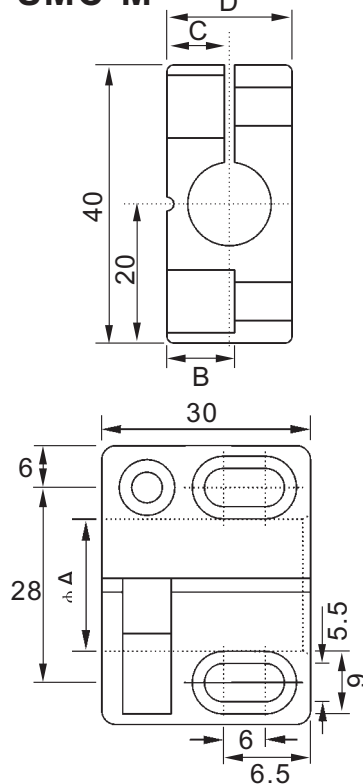
MODEL	A	B	C	D	TYPE
SMC-M-12	φ 12	9.75	9	18	Without limit stop
SMC-M-W12	φ 12	9.75	9	18	With limit stop
SMC-M-18	φ 18	12.85	12	24	Without limit stop
SMC-M-W18	φ 18	12.85	12	24	With limit stop

MODEL	A	TYPE
SMC-B-30	φ 30	Without limit stop
SMC-B-W30	φ 30	With limit stop

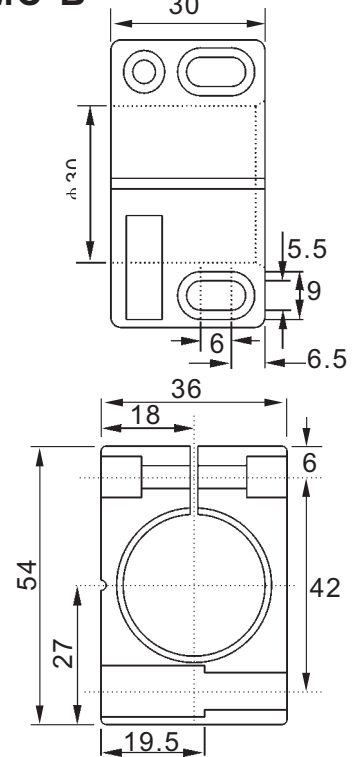
SMC-S



SMC-M

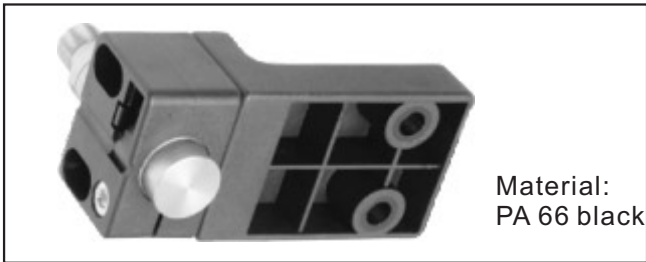


SMC-B

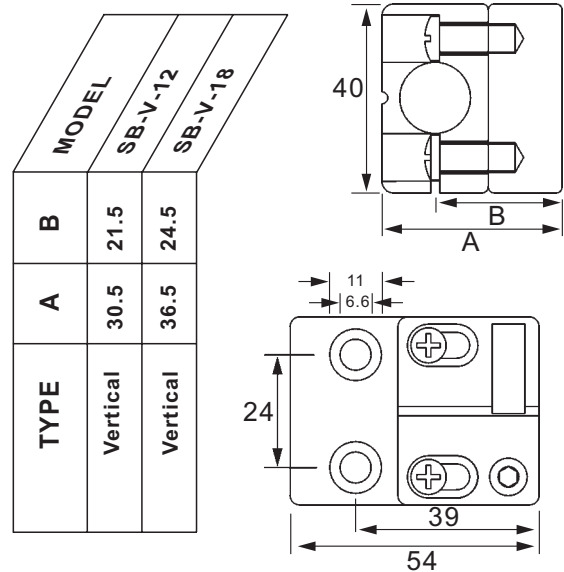
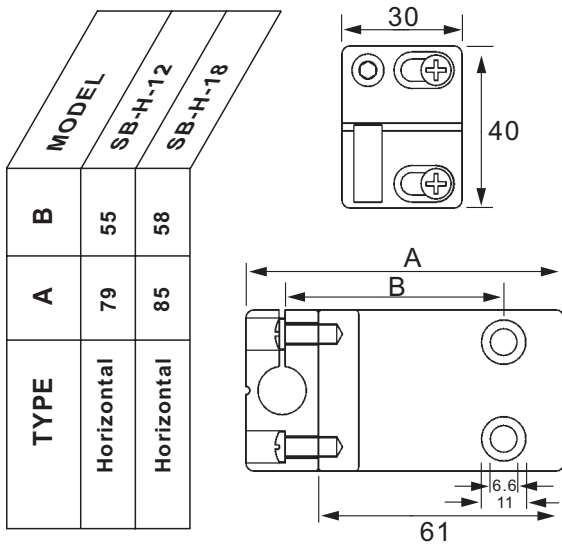


● Bases for $\phi 12$ 、 $\phi 18$

SB-H



SB-V



● Sensor tester——S-TER

For fast field checks of various sensor types (inductive, capacitive, photoelectric and ultrasonic) 10...30V.

- Suitable for PNP and NPN devices, N.O. And N.C. Versions
- Automatic PNP/NPN recognition
- LED and acoustic indicators
- Build-in steel target (non-standardized) for checking inductive sensors.
- Power supply from a single 9V battery (type IEC 6LR61).
- LED battery-state indication.
- Charger and rechargeable battery available (ATE-0000-022).
- Build-in step-up voltage converter.
- Automatic switch off after approx. 30 sec. of non-use.

