

PART U-01 ~ U-07

Diameter

● Shielded ○ non-Shielded

Switching Distance Sn mm

Housing Material

● With LED ○ Without LED

Dimensions (unit: mm)

Operating Voltage

Ripple

No Load Current

Max. Load Current

Leakge Current

Surge Current

Min. Load Current

Voltage Drop

Switching Frequency

Response Time

Switching Hysteresis

Repeat Accuracy

Protection Category

Operating Temperature

Temperature Drift

Short Circuit Protection

Overload Trip Point

Time Delay Before Availability

EMC

Shock / Vibration

Material Active Face

DC 3 wire 10-30V NPN N.O.

DC 3 wire 10-30V NPN N.C.

DC 3 wire 10-30V PNP N.O.

DC 3 wire 10-30V PNP N.C.

DC 4 wire 10-30V Changeover PNP (N.O. & N.C.)

DC 4 wire 10-30V Changeover NPN (N.O. & N.C.)

DC 2 wire 10-60V N.O.

DC 2 wire 10-60V N.C.

DC 3 wire 10-55v NPN N.O. or NAMUR

DC 3 wire 10-55v NPN N.C.

DC 3 wire 10-55v PNP N.O.

DC 3 wire 10-55v PNP N.C.

AC 2 wire 20-250V N.O.

AC 2 wire 20-250V N.C.

AC 2 wire 20-250V N.O. or N.C. Changeable

AC/DC 2 wire 20-250V N.O.

AC/DC 2 wire 20-250V N.C.

AC/DC 2 wire 20-250V N.O. or N.C. Changeable

Remark

Cable 2M (PVC)

Weight

Please put each catalog page in the blank. The specification on the left will help your reading.

AC CAPACITIVE PLASTIC HOUSING PROXIMITY SWITCH

M18																							
●	○																						
2-8 mm adjustable	2-15 mm adjustable																						
PBT RESIN																							
●																							
<table border="1"> <tr><td>20-250VAC</td></tr> <tr><td>-</td></tr> <tr><td><2.5mA</td></tr> <tr><td>300mA</td></tr> <tr><td><2.5mA</td></tr> <tr><td>5A</td></tr> <tr><td>5mA</td></tr> <tr><td><9VAC AT 300MA</td></tr> <tr><td>25HZ</td></tr> <tr><td>10ms/10ms</td></tr> <tr><td><15%(Sr)</td></tr> <tr><td><5%(Sr)</td></tr> <tr><td>IP67</td></tr> <tr><td>-25°C - +70°C</td></tr> <tr><td><10%(Sr)</td></tr> <tr><td>-</td></tr> <tr><td>-</td></tr> <tr><td>-</td></tr> <tr><td>-</td></tr> <tr><td>RFI>3V/m / EFT>1KV / ESD>4KV (contact)</td></tr> <tr><td>IEC 60947-5-2, Part 7.4.1 / IEC 60947-5-2, Part 7.4.2</td></tr> <tr><td>PBT</td></tr> </table>		20-250VAC	-	<2.5mA	300mA	<2.5mA	5A	5mA	<9VAC AT 300MA	25HZ	10ms/10ms	<15%(Sr)	<5%(Sr)	IP67	-25°C - +70°C	<10%(Sr)	-	-	-	-	RFI>3V/m / EFT>1KV / ESD>4KV (contact)	IEC 60947-5-2, Part 7.4.1 / IEC 60947-5-2, Part 7.4.2	PBT
20-250VAC																							
-																							
<2.5mA																							
300mA																							
<2.5mA																							
5A																							
5mA																							
<9VAC AT 300MA																							
25HZ																							
10ms/10ms																							
<15%(Sr)																							
<5%(Sr)																							
IP67																							
-25°C - +70°C																							
<10%(Sr)																							
-																							
-																							
-																							
-																							
RFI>3V/m / EFT>1KV / ESD>4KV (contact)																							
IEC 60947-5-2, Part 7.4.1 / IEC 60947-5-2, Part 7.4.2																							
PBT																							
CCP1-1808A-A2L2	9	CCP2-1815A-A2L2																					
CCP1-1808A-B2L2	10	CCP2-1815A-B2L2																					
<table border="1"> <tr><td>5.0 φ 44x0.1</td></tr> <tr><td>approx.92g</td></tr> <tr><td>approx.94g</td></tr> </table>		5.0 φ 44x0.1	approx.92g	approx.94g																			
5.0 φ 44x0.1																							
approx.92g																							
approx.94g																							

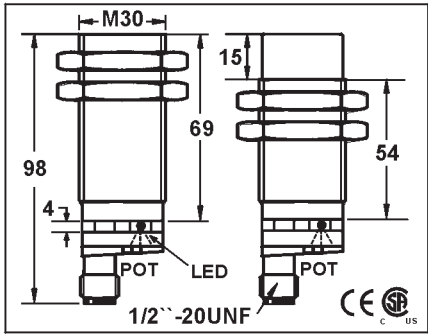
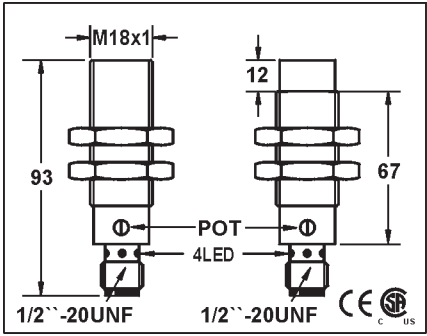
M30																							
●	○																						
2-20 mm adjustable	2-30 mm adjustable																						
PBT RESIN																							
●																							
<table border="1"> <tr><td>20-250VAC</td></tr> <tr><td>-</td></tr> <tr><td><2.5mA</td></tr> <tr><td>300mA</td></tr> <tr><td><2.5mA</td></tr> <tr><td>5A</td></tr> <tr><td>5mA</td></tr> <tr><td><9VAC AT 300MA</td></tr> <tr><td>25HZ</td></tr> <tr><td>10ms/10ms</td></tr> <tr><td><15%(Sr)</td></tr> <tr><td><5%(Sr)</td></tr> <tr><td>IP67</td></tr> <tr><td>-25°C - +70°C</td></tr> <tr><td><10%(Sr)</td></tr> <tr><td>-</td></tr> <tr><td>-</td></tr> <tr><td>-</td></tr> <tr><td>-</td></tr> <tr><td>RFI>3V/m / EFT>1KV / ESD>4KV (contact)</td></tr> <tr><td>IEC 60947-5-2, Part 7.4.1 / IEC 60947-5-2, Part 7.4.2</td></tr> <tr><td>PBT</td></tr> </table>		20-250VAC	-	<2.5mA	300mA	<2.5mA	5A	5mA	<9VAC AT 300MA	25HZ	10ms/10ms	<15%(Sr)	<5%(Sr)	IP67	-25°C - +70°C	<10%(Sr)	-	-	-	-	RFI>3V/m / EFT>1KV / ESD>4KV (contact)	IEC 60947-5-2, Part 7.4.1 / IEC 60947-5-2, Part 7.4.2	PBT
20-250VAC																							
-																							
<2.5mA																							
300mA																							
<2.5mA																							
5A																							
5mA																							
<9VAC AT 300MA																							
25HZ																							
10ms/10ms																							
<15%(Sr)																							
<5%(Sr)																							
IP67																							
-25°C - +70°C																							
<10%(Sr)																							
-																							
-																							
-																							
-																							
RFI>3V/m / EFT>1KV / ESD>4KV (contact)																							
IEC 60947-5-2, Part 7.4.1 / IEC 60947-5-2, Part 7.4.2																							
PBT																							
CCP1-3020A-A2L2	9	CCP2-3030A-A2L2																					
CCP1-3020A-B2L2	10	CCP2-3030A-B2L2																					
<table border="1"> <tr><td>5.8 φ 2x0.5</td></tr> <tr><td>approx.197g</td></tr> <tr><td>approx.195g</td></tr> </table>		5.8 φ 2x0.5	approx.197g	approx.195g																			
5.8 φ 2x0.5																							
approx.197g																							
approx.195g																							

φ20																							
●	○																						
2-12 mm adjustable	2-20 mm adjustable																						
PBT RESIN																							
●																							
<table border="1"> <tr><td>20-250VAC</td></tr> <tr><td>-</td></tr> <tr><td><2.5mA</td></tr> <tr><td>300mA</td></tr> <tr><td><2.5mA</td></tr> <tr><td>5A</td></tr> <tr><td>5mA</td></tr> <tr><td><9VAC AT 300MA</td></tr> <tr><td>25HZ</td></tr> <tr><td>10ms/10ms</td></tr> <tr><td><15%(Sr)</td></tr> <tr><td><5%(Sr)</td></tr> <tr><td>IP67</td></tr> <tr><td>-25°C - +70°C</td></tr> <tr><td><10%(Sr)</td></tr> <tr><td>-</td></tr> <tr><td>-</td></tr> <tr><td>-</td></tr> <tr><td>-</td></tr> <tr><td>RFI>3V/m / EFT>1KV / ESD>4KV (contact)</td></tr> <tr><td>IEC 60947-5-2, Part 7.4.1 / IEC 60947-5-2, Part 7.4.2</td></tr> <tr><td>PBT</td></tr> </table>		20-250VAC	-	<2.5mA	300mA	<2.5mA	5A	5mA	<9VAC AT 300MA	25HZ	10ms/10ms	<15%(Sr)	<5%(Sr)	IP67	-25°C - +70°C	<10%(Sr)	-	-	-	-	RFI>3V/m / EFT>1KV / ESD>4KV (contact)	IEC 60947-5-2, Part 7.4.1 / IEC 60947-5-2, Part 7.4.2	PBT
20-250VAC																							
-																							
<2.5mA																							
300mA																							
<2.5mA																							
5A																							
5mA																							
<9VAC AT 300MA																							
25HZ																							
10ms/10ms																							
<15%(Sr)																							
<5%(Sr)																							
IP67																							
-25°C - +70°C																							
<10%(Sr)																							
-																							
-																							
-																							
-																							
RFI>3V/m / EFT>1KV / ESD>4KV (contact)																							
IEC 60947-5-2, Part 7.4.1 / IEC 60947-5-2, Part 7.4.2																							
PBT																							
CCP1-D2012A-A2L2	9	CCP2-D2020A-A2L2																					
CCP1-D2012A-B2L2	10	CCP2-D2020A-B2L2																					
<table border="1"> <tr><td>5.8 φ 2x0.5</td></tr> <tr><td>approx.153g</td></tr> <tr><td>approx.154g</td></tr> </table>		5.8 φ 2x0.5	approx.153g	approx.154g																			
5.8 φ 2x0.5																							
approx.153g																							
approx.154g																							

AC CAPACITIVE PROXIMITY SWITCH CONNECTOR TYPE

M18	
●	○
2-8 mm adjustable	2-15 mm adjustable
stainless steel or nickel plated brass	
●	

M30	
●	○
2-20 mm adjustable	2-30 mm adjustable
stainless steel or nickel plated brass	
●	



20-250VAC
-
<2.5mA
300mA
<2.5mA
5A
5mA
<9VAC AT 300MA
25HZ
10ms/10ms
<15%(Sr)
<5%(Sr)
IP67
-25°C~+70°C
<10%(Sr)
-
-
-
RFI>3V/m / EFT>1KV / ESD>4KV (contact)
IEC 60947-5-2,Part 7.4.1 / IEC 60947-5-2,Part 7.4.2
PBT

20-250VAC
-
<2.5mA
300mA
<2.5mA
5A
5mA
<9VAC AT 300MA
25HZ
10ms/10ms
<15%(Sr)
<5%(Sr)
IP67
-25°C~+70°C
<10%(Sr)
-
-
-
RFI>3V/m / EFT>1KV / ESD>4KV (contact)
IEC 60947-5-2,Part 7.4.1 / IEC 60947-5-2,Part 7.4.2
PBT

CCM1-1808A-AUL3	52	CCM2-1815A-AUL3
CCM1-1808A-BUL3	52	CCM2-1815A-BUL3

CCM1-3020A-AUL3	52	CCM2-3030A-AUL3
CCM1-3020A-BUL3	52	CCM2-3030A-BUL3

approx.69g

approx.147g	approx.137g
-------------	-------------

AC CAPACITIVE PLASTIC HOUSING CONNECTOR TYPE

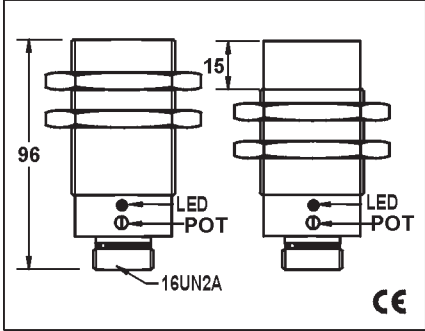
M18	
●	○
2-8 mm adjustable	2-15 mm adjustable
PBT RESIN	
20-250VAC	-
<2.5mA	-
300mA	-
<2.5mA	-
5A	-
5mA	-
<9VAC AT 300MA	-
25HZ	-
10ms/10ms	-
<15%(Sr)	-
<5%(Sr)	-
IP67	-
-25°C~+70°C	-
<10%(Sr)	-
-	-
-	-
-	-
RFI>3V/m / EFT>1KV / ESD>4KV (contact)	-
IEC 60947-5-2,Part 7.4.1 / IEC 60947-5-2,Part 7.4.2	-
PBT	
CCP1-1808A-AUL3	54 CCP2-1815A-AUL3
CCP1-1808A-BUL3	54 CCP2-1815A-BUL3
approx.79g	approx.80g

M30	
●	○
2-20 mm adjustable	2-30 mm adjustable
PBT RESIN	
20-250VAC	-
<2.5mA	-
300mA	-
<2.5mA	-
5A	-
5mA	-
<9VAC AT 300MA	-
25HZ	-
10ms/10ms	-
<15%(Sr)	-
<5%(Sr)	-
IP67	-
-25°C~+70°C	-
<10%(Sr)	-
-	-
-	-
-	-
RFI>3V/m / EFT>1KV / ESD>4KV (contact)	-
IEC 60947-5-2,Part 7.4.1 / IEC 60947-5-2,Part 7.4.2	-
PBT	
CCP1-3020A-AUL3	54 CCP2-3030A-AUL3
CCP1-3020A-BUL3	54 CCP2-3030A-BUL3
approx.120g	

$\phi 20$	
●	○
2-12 mm adjustable	2-20 mm adjustable
PBT RESIN	
20-250VAC	-
<2.5mA	-
300mA	-
<2.5mA	-
5A	-
5mA	-
<9VAC AT 300MA	-
25HZ	-
10ms/10ms	-
<15%(Sr)	-
<5%(Sr)	-
IP67	-
-25°C~+70°C	-
<10%(Sr)	-
-	-
-	-
-	-
RFI>3V/m / EFT>1KV / ESD>4KV (contact)	-
IEC 60947-5-2,Part 7.4.1 / IEC 60947-5-2,Part 7.4.2	-
PBT	
CCP1-D2012A-AUL3	54 CCP2-D2020A-AUL3
CCP1-D2012A-BUL3	54 CCP2-D2020A-BUL3
approx.57g	

AC CAPACITIVE PLASTIC HOUSING CONNECTOR TYPE

M30	
●	○
2-20 mm adjustable	2-30 mm adjustable
PBT RESIN	
●	



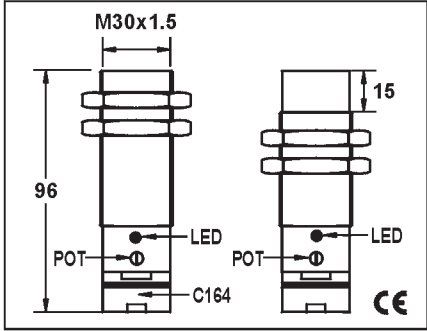
20-250VAC
-
<2.5mA
300mA
<2.5mA
5A
5mA
<9VAC AT 300MA
25HZ
10ms/10ms
<15%(Sr)
<5%(Sr)
IP67
-25°C--+70°C
<10%(Sr)
-
-
-
RFI>3V/m / EFT>1KV / ESD>4KV (contact)
IEC 60947-5-2,Part 7.4.1 / IEC 60947-5-2,Part 7.4.2
-

CCP1-3020A-AZL2	62	CCP2-3030A-AZL2
CCP1-3020A-BZL2	62	CCP2-3030A-BZL2



approx.120g

M30	
●	○
2-20 mm adjustable	2-30 mm adjustable
PBT RESIN	
●	



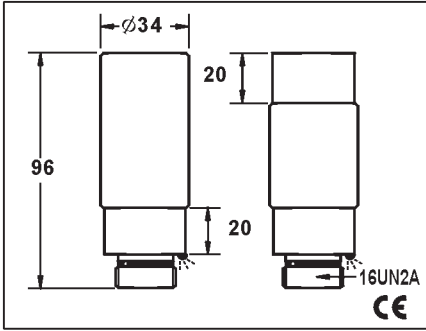
20-250VAC
-
<2.5mA
300mA
<2.5mA
5A
5mA
<9VAC AT 300MA
25HZ
10ms/10ms
<15%(Sr)
<5%(Sr)
IP67
-25°C--+70°C
<10%(Sr)
-
-
-
RFI>3V/m / EFT>1KV / ESD>4KV (contact)
IEC 60947-5-2,Part 7.4.1 / IEC 60947-5-2,Part 7.4.2
-

CCP1-3020A-AYL5	64	CCP2-3030A-AYL5
CCP1-3020A-BYL5	64	CCP2-3030A-BYL5



approx.120g

φ34	
●	○
2-25 mm adjustable	2-35 mm adjustable
PBT RESIN	
●	



20-250VAC
-
<2.5mA
300mA
<2.5mA
5A
5mA
<9VAC AT 300MA
25HZ
10ms/10ms
<15%(Sr)
<5%(Sr)
IP67
-25°C--+70°C
<10%(Sr)
-
-
-
RFI>3V/m / EFT>1KV / ESD>4KV (contact)
IEC 60947-5-2,Part 7.4.1 / IEC 60947-5-2,Part 7.4.2
-

CCP1-D3425A-AZL2	62	CCP2-D3435A-AZL2
CCP1-D3425A-BZL2	62	CCP2-D3435A-BZL2



approx.162g

