









## Specification:

Action	Double acting with magnetic piston
Series	AB
Bore	ø6, ø10, ø16
Operating fluid	compressed air
Operating pressure	0.7Mpa(7kgf/cm <sup>2</sup> )
Proof pressure	1.05Mpa(10kgf/cm <sup>2</sup> )
Piston speed range	50~700 mm/sec
Temperature range	-10°C~+70°C
Cushion	Bumper
Lubrication	Not required or use ISO VG32
Stroke tolerance	+1.0 -0



## How to Order:

<b>AB</b>	<b>16</b>	x	<b>75</b>	<b>LB</b>	<b>MT</b>	<b>2</b>
<b>Series</b>	<b>Bore</b>		<b>Stroke</b>	<b>Mounting type</b>	<b>Reed switch</b>	<b>Switch quantity</b>
AB Standard type 	ø6 ø10 ø16		15~60mm 15~150mm 15~200mm	LB Bracket  FA Flange  T Hanger  I Stud  Y Clevis 	MT-22: DC/AC 4~220V 	1 : 1 PC 2 : 2 PCS
ABB Trunnion type 						

## Cylinder Weight Table:

Unit: g

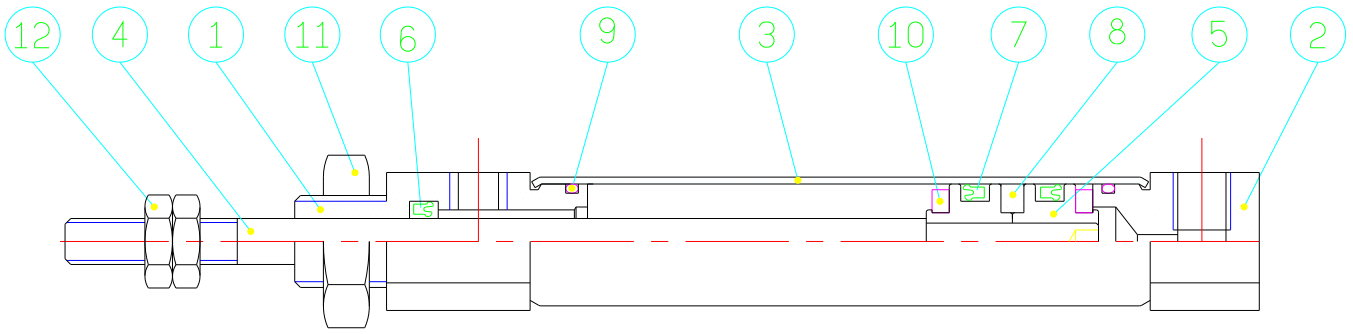
Type \ Stroke	15	30	45	60	75	100	125	150	175	200
AB 6	22.5	24.5	26.5	28.5	-	-	-	-	-	-
AB 10	30.5	34.5	38.5	42.5	46.5	53.2	59.9	66.6	-	-
AB 16	63.5	70.5	77.5	84.5	91.5	103.2	114.9	126.6	138.3	150
ABB 10	32	36	40	44	48	54.5	61	67.5	-	-
ABB 16	72.5	79	85.5	92	98.5	109.5	120.5	131.5	142.5	153.5

## Accessory Weight Table:

Unit: g

Bore	Bracket (LB)	Flange (FA)	Hanger (T)	I stud (I)	Y Clevis (Y)
ø6	8	-	-	-	-
ø10	8	5.5	38.5	15.5	23.5
ø16	19.5	13.5	58.5	24	20

## Internal Construction:



## Part lists:

NO	Description	Material	Qty
1	Front end cover	Anodized aluminium alloy	1
2	Rear end cover	Anodized aluminium alloy	1
3	Barrel	Stainless steel	1
4	Piston rod	Stainless steel	1
5	Piston	Brass	2
6	Rod seal	NBR	1
7	Piston seal	NBR	2
8	Magnet	Resinous magnet	1
9	End cover seal	NBR	2
10	Cushion	PU	2

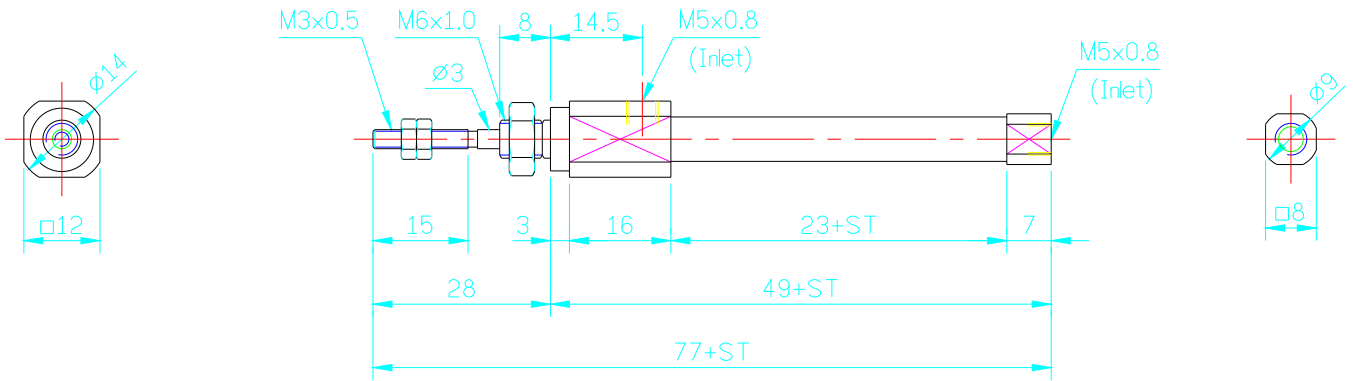
NO	Description	Material	Qty
11	Mounting screw	SS41	1
12	Hex screw	SS41	2

## Seals List:

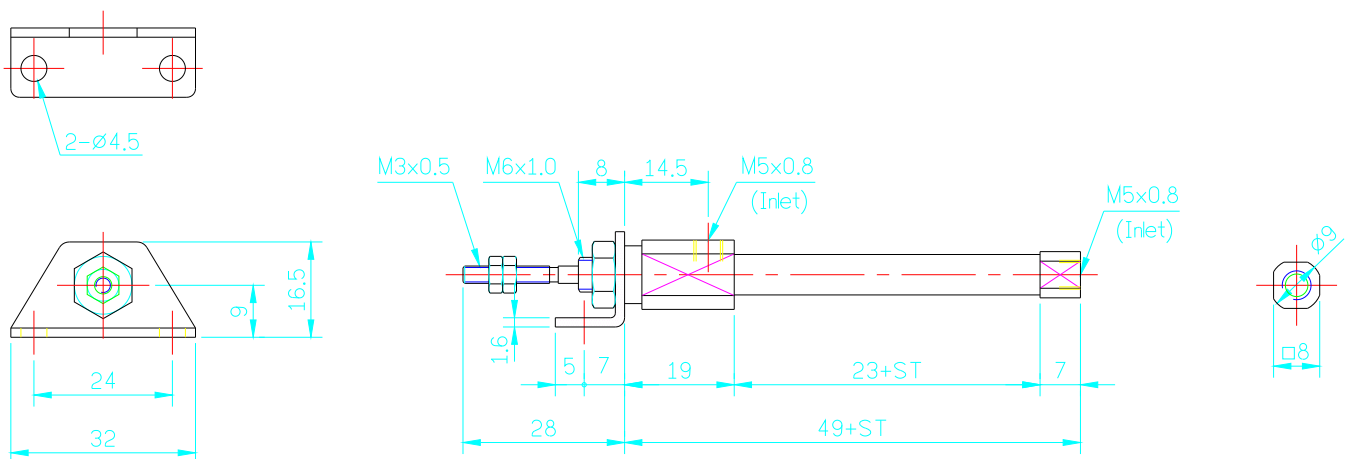
Bore\Description	6 Rod seal	7 Piston seal	9 End cover seal
ø6	DYR 3	DYP 6x2	SM 4x2
ø10	DYR 4	DYP 6x2	SM 8x2
ø16	DYR 5	DYP 16x2	SM 12x2

## External Dimensions:

- Standard type: AB 6 x □□

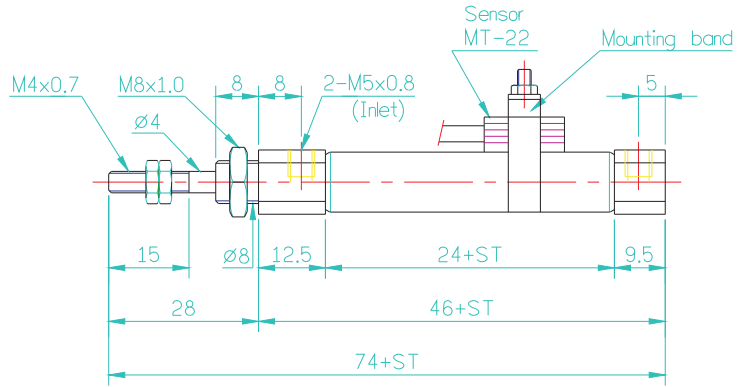
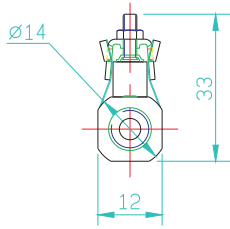


- Bracket (LB): AB 6 x □□LB

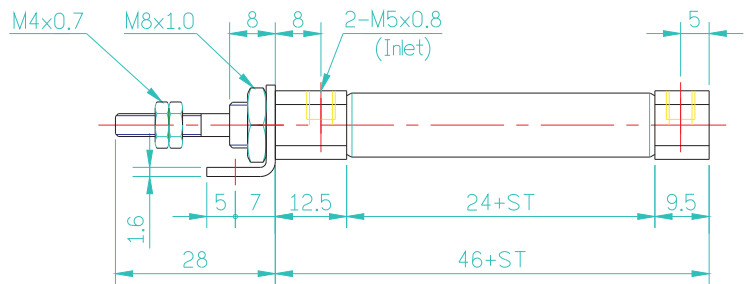
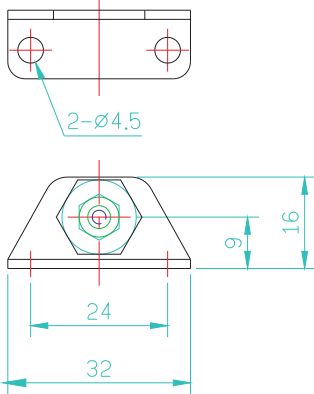


# External Dimensions:

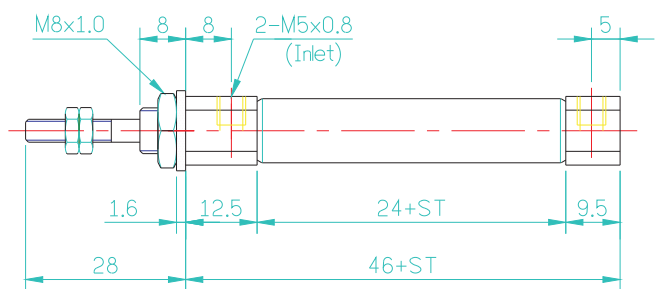
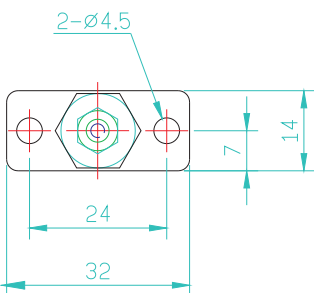
- Standard type: AB 10 X



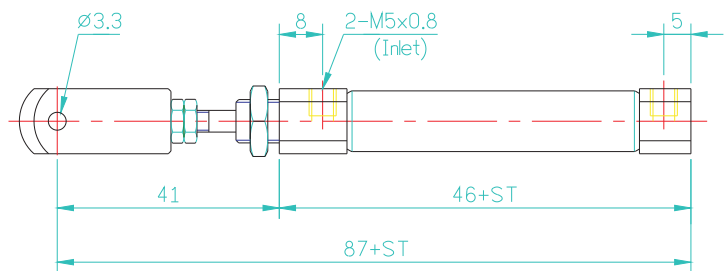
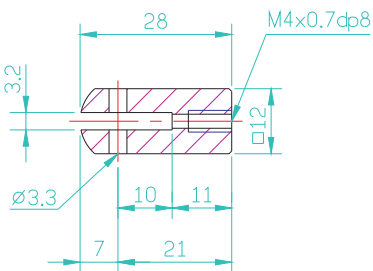
- Bracket (LB): AB 10 X   LB



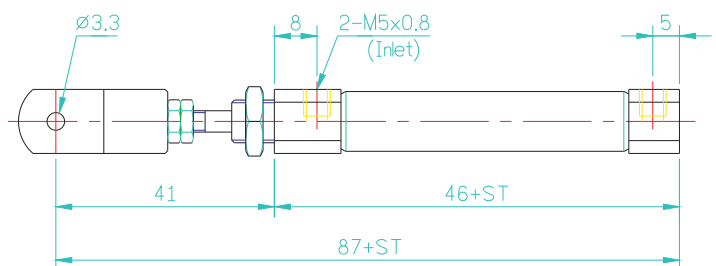
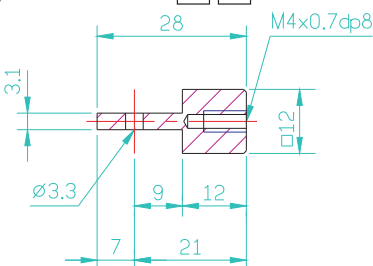
- Flange (FA ): AB 10 X   FA



- Y clevis (Y): AB 10 X   Y

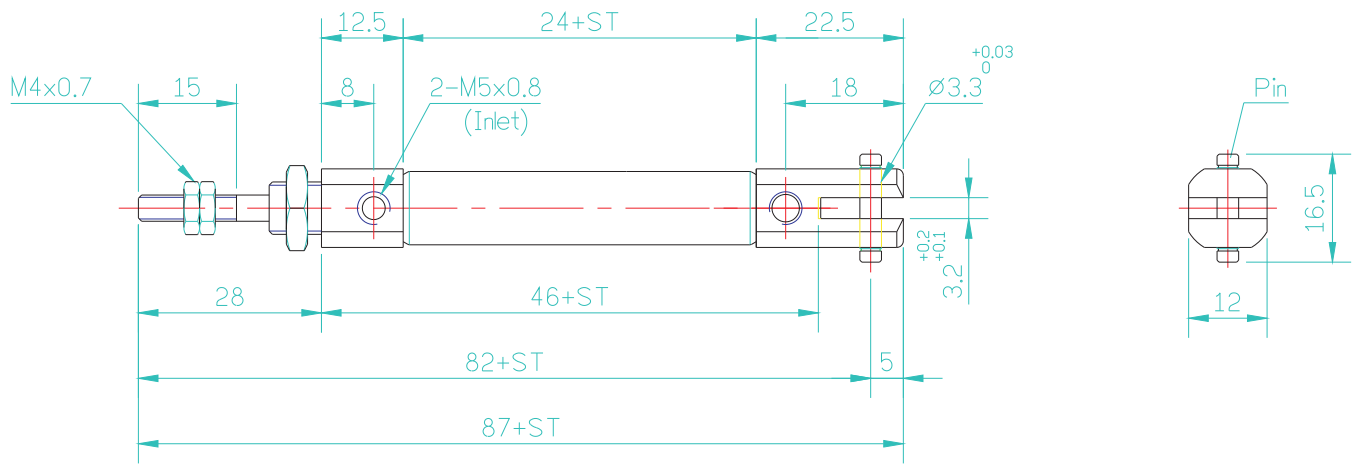


- I stud (I ): AB 10 X   I

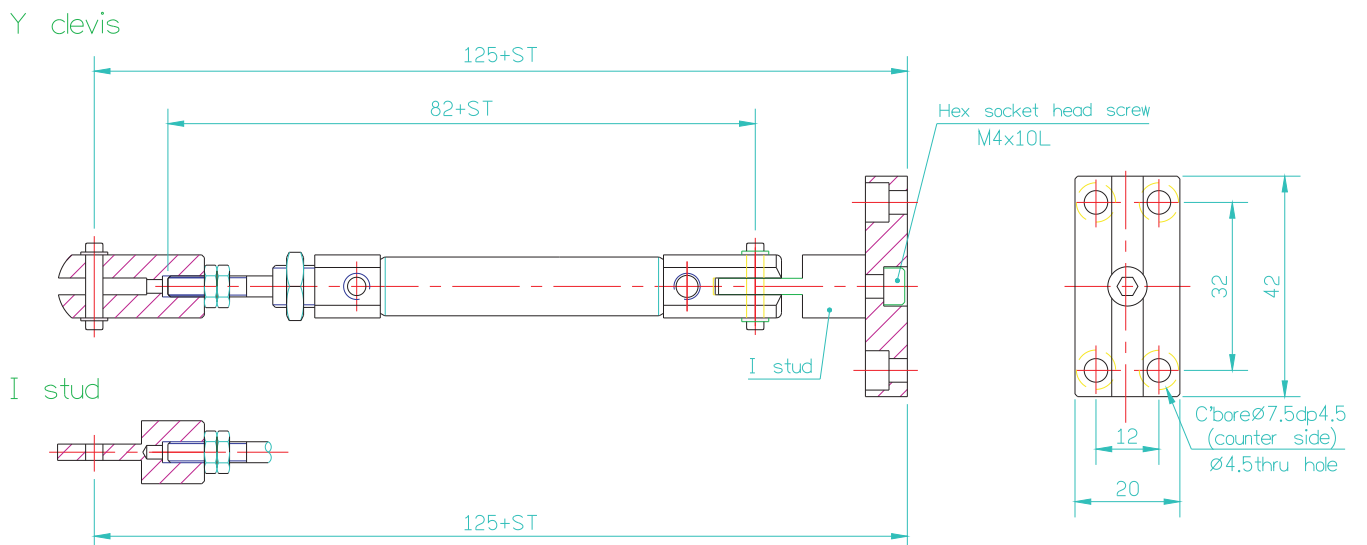
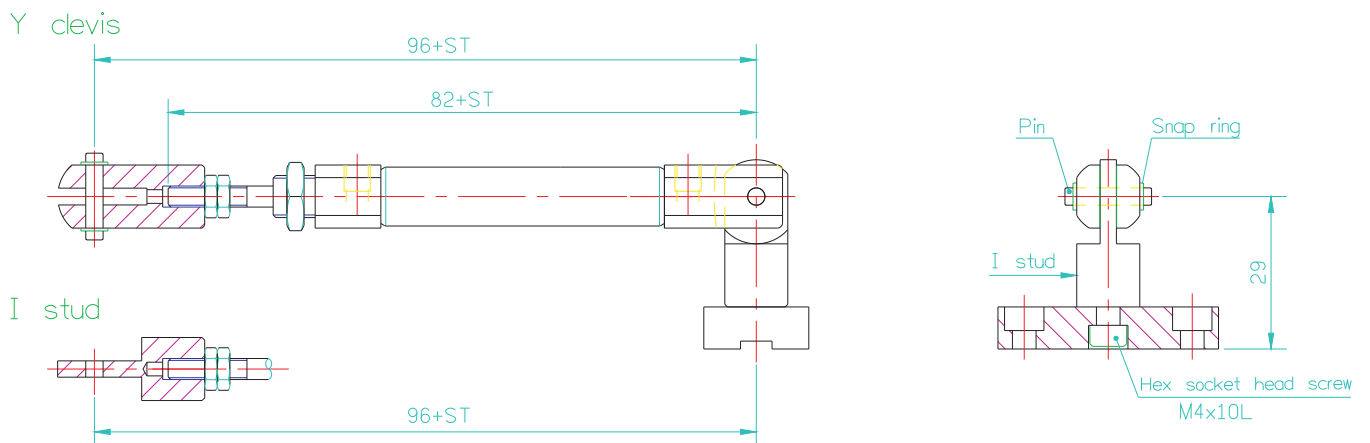


# External Dimensions:

- Trunnion type: ABB 10 X

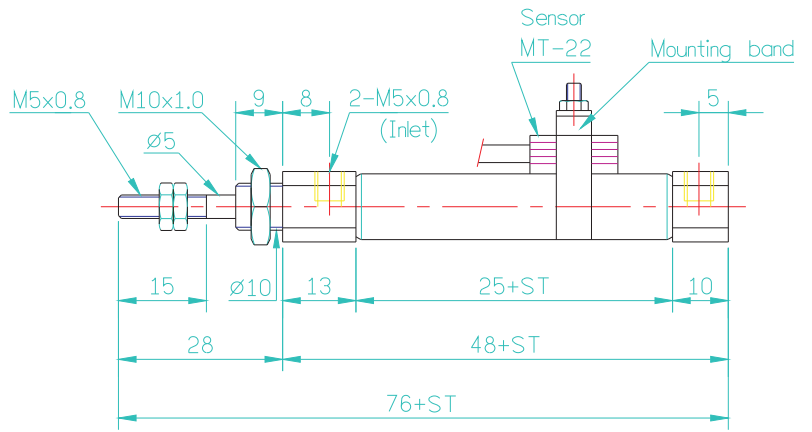
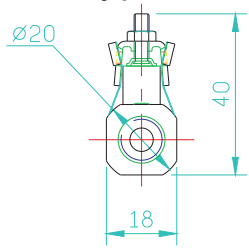


- Trunnion bracket (T): ABB 10 X   T+Y  
ABB 10 X   T+I

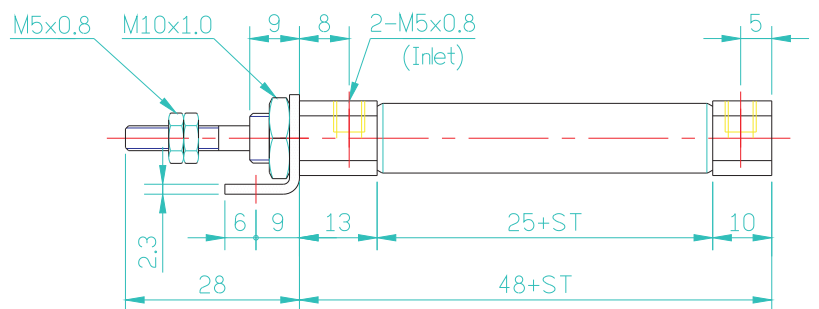
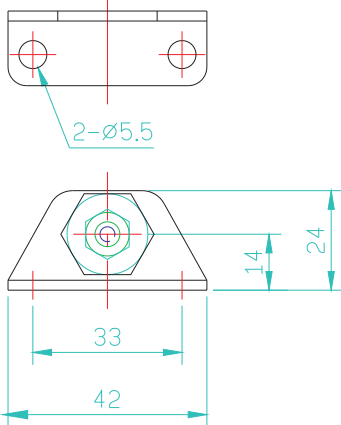


# External Dimensions:

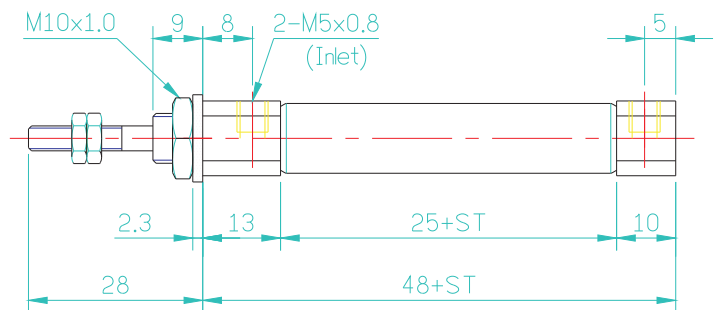
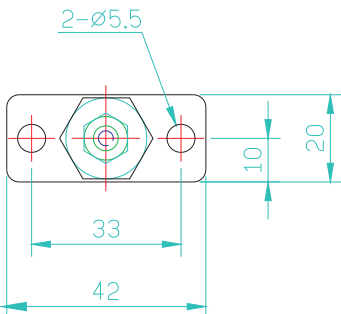
- Standard type: AB 16 X



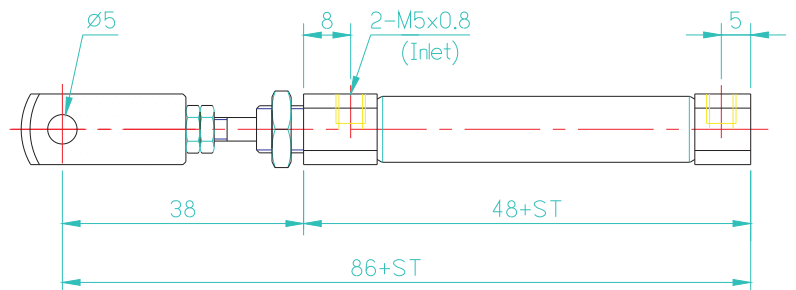
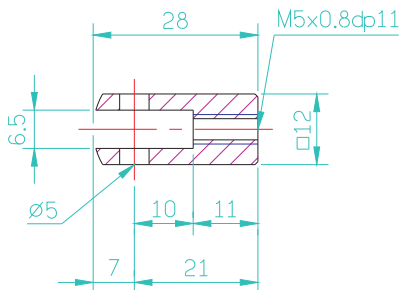
- Bracket (LB): AB 16 X   LB



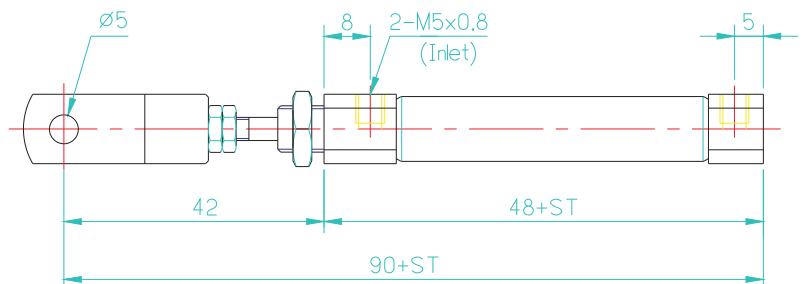
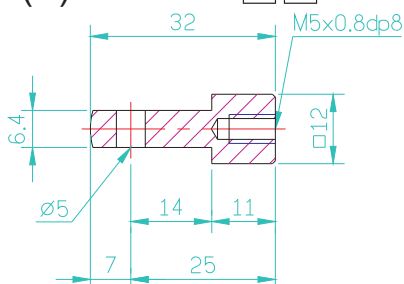
- Flange (FA): AB 16 X   FA



- Y clevis (Y): AB 16 X   Y

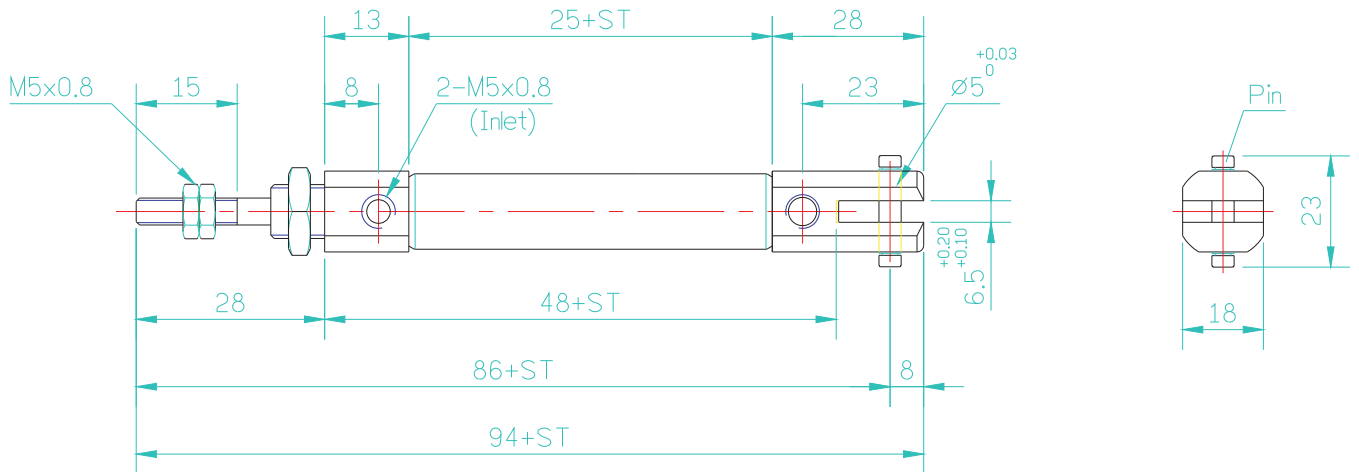


- I stud (I): AB 16 X   I



# External Dimensions:

- Trunnion type: ABB 16 X



- Trunnion bracket (T): ABB 16 X   T+Y  
ABB 16 X   T+I

