



Retro Ref. Photoelectric Sensors



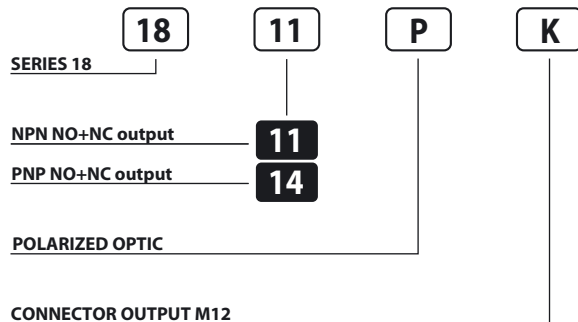
PHOTOELECTRIC SENSORS IN METAL HOUSING 12 ÷ 30 V DC NPN OR PNP OUTPUT

- **Miniature 18 mm tubular**
- **Operation LED visible laterally and at the back**
- **Cable or M12 quick connect models**
- **Long working distances**
- **Fast response time: 2 mS/500 Hz**

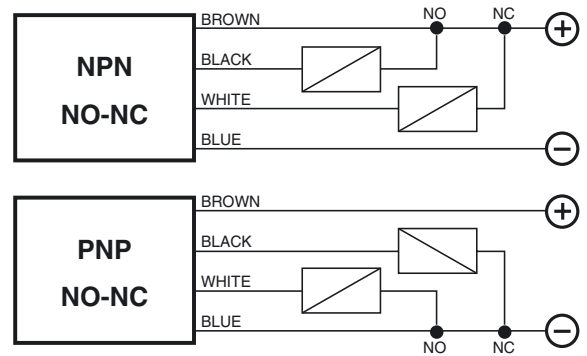
18 Series



Identification code



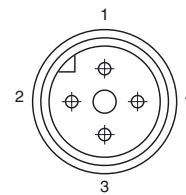
Wiring diagrams



AVAILABLE	POLARIZED	STANDARD
NOMINAL SWITCHING DISTANCE (Sn)	2 m⁽¹⁾	6 m⁽¹⁾
TOLERANCE	+10/-10 %Sn	
HYSTERESIS	10%	
EMISSION	Red (660 nm)	Infrared (875 nm)
NOMINAL VOLTAGE	12 ÷ 30VDC (-15 /+10%)	
RESIDUAL RIPPLE	≤ 10%	
MAX. OUTPUT CURRENT	200 mA	
ABSORPTION AT 30 VDC	40 mA	
VOLTAGE DROP (Sensor ON)	≤ 1.5V (I = 200 mA)	
OPERATION LED	Yellow	
SWITCHING FREQUENCY	500 Hz	
RESPONSE TIME	2 mS	
START UP DELAY	200 mS	
SHORT CIRCUIT PROTECTION	Present (self-resetting)	
ELECTRIC PROTECTIONS	Against polarity reversal - inductive loads	
TEMPERATURE LIMITS	-10 ÷ +60 °C	
LIGHT IMMUNITY	10.000 Lux ⁽²⁾	
PROTECTION DEGREE	IP 67	
CABLE LENGTH	2 m	
CABLE SECTION	3 x 0.25 mm ²	
HOUSING MATERIAL	Nickel-plated brass	
WEIGHT - cable output - (connector output)	- 110 g - (55 g)	

Connection with connector M12 (K)

View of quadripole male connector.



CONTACTS CONFIGURATION

Available (NO + NC)	Contacts numbers			
	1	2	3	4
	+	NC	-	NO

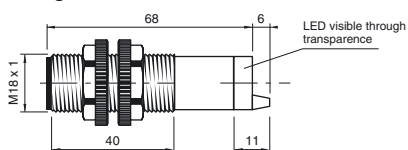
⁽¹⁾ Determined with CT04S reflector.

⁽²⁾ Determined with halogen tungsten lamp 3000 °K.

Note: for a proper use see norms at pages 14, 15, 16, 17 and 18.

Dimensions (mm)

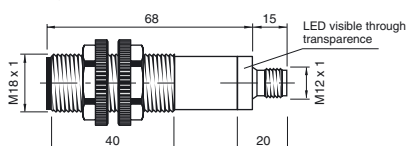
Configuration with cable



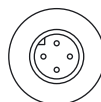
Configuration with cable - Back view



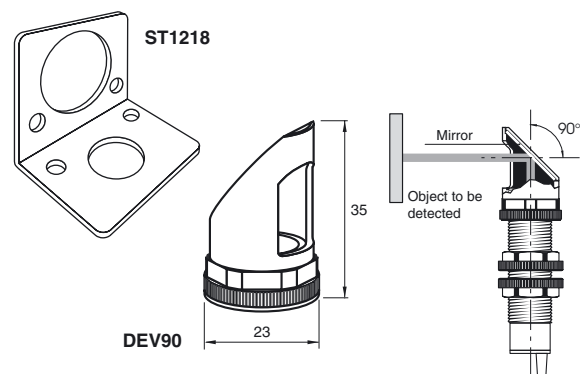
Configuration with connector K



Configuration with connector K Back view

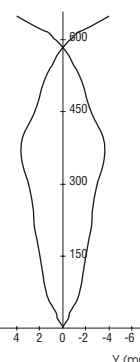


Accessories



Characteristic curves

RETRO REFLECTIVE Distance X (cm)



POLARIZED RETRO REFLECTIVE Distance X (cm)

